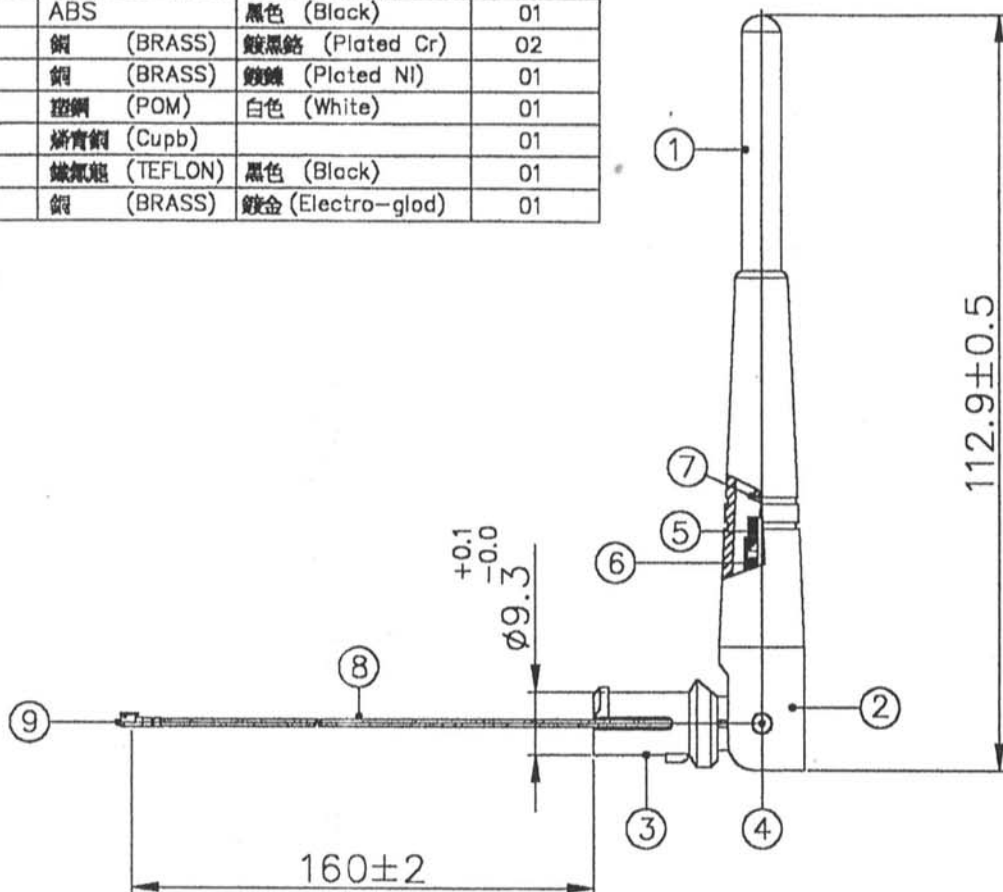


Broadcom BCM94705LMP

Antenna Report

Make: Gemtek
Model: EA-186
Peak gain: 3dBi

NO.	圖名 (NAME)	材質 (MATERIAL)	外觀 (FINISH)	用量 (Q.TY)
01	天線桿套 (Ant,shell)	TPEEL 630	黑色 (Black)	01
02	固定座(上) (Switching Base front)	ABS	黑色 (Black)	01
03	固定座(下) (Switching Base ent)	ABS	黑色 (Black)	01
04	銷釘 (RIVET)	銅 (BRASS)	鍍黑鉻 (Plated Cr)	02
05	銅管 (Copper tube)	銅 (BRASS)	鍍鎳 (Plated Ni)	01
06	底塞 (Botton Piug)	塑膠 (POM)	白色 (White)	01
07	線圈 (Coil)	磷青銅 (Cupb)		01
08	HTT線 (HTT-Cable)	鐵氟龍 (TEFLON)	黑色 (Black)	01
09	IPEX接頭 (IPEX-connector)	銅 (BRASS)	鍍金 (Electro-glod)	01



註：HTT線與固定座不能晃動。

NO.	Dater	Revision	Reviser	Version	A NO.	Insp Spec	Test Insrtument	B NO.	Insp Spec	Test Insrtument
01										
 Third angle projection		正文			5.2GHz		m/m			1
		CORPORATION		CUSTOMER'S Parts unumber		Unit	Scale	Weight	Version	
		tolerance	.X±0.1	Name	Parts unumber	Approveed	Checked	Drawing	Designed	
		surface roughness	S ▽▽	外觀圖	EA-186	鄭文華	徐永聰	廣克勤	廣克勤	

MS4623B

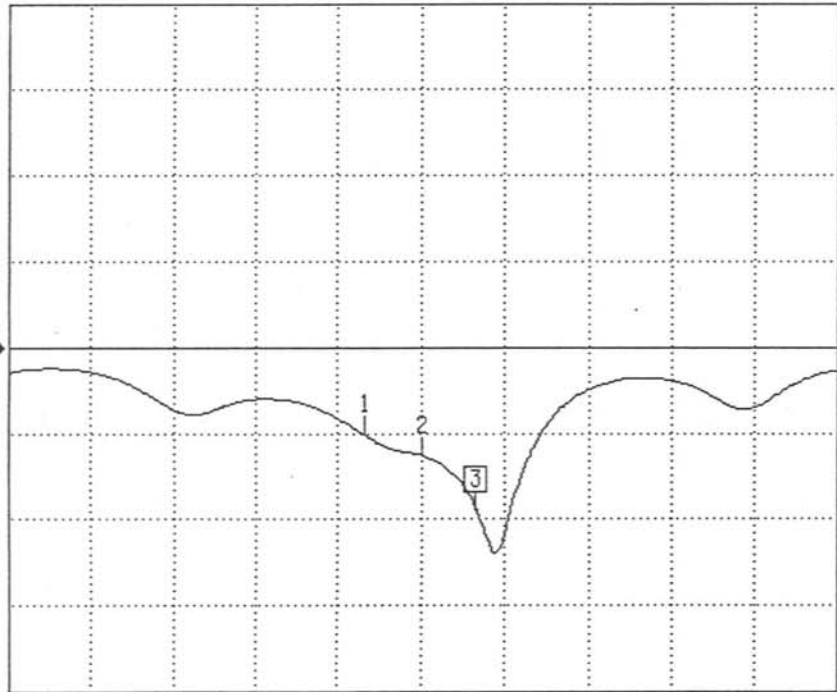
MODEL: DATE: 06/12/02 03:47 Page 1
DEVICE ID: OPERATOR:

START: 4.500000000 GHz GATE START: - ERROR CORR: REFL PORT1
STOP: 6.000000000 GHz GATE STOP: - AVERAGING: 1 PT
STEP: 0.003750000 GHz GATE: - IF BNDWDTH: 1 KHz
WINDOW: -

PARAMETER: -CH1-
NORMALIZATION: -S11-
REFERENCE PLANE: OFF
SMOOTHING: 0.0000 mm
DELAY APERTURE: 0.0 PERCENT
-

S11 FORWARD REFLECTION TRANSMISSION/REFLECTION

LOG MAGNITUDE REF=0.000 dB 10.000 dB/DIV



CH 1 - S11
REFERENCE PLANE
0.0000 mm

- 1: 5.150000000 GHz
-10.260 dB
- 2: 5.250000000 GHz
-12.627 dB
- 3: 5.350000000 GHz
-18.968 dB
- 4: OFF

MARKER TO PEAK

MORE

4 500.000 000 MHz

6 000.000 000 MHz

MS4623B

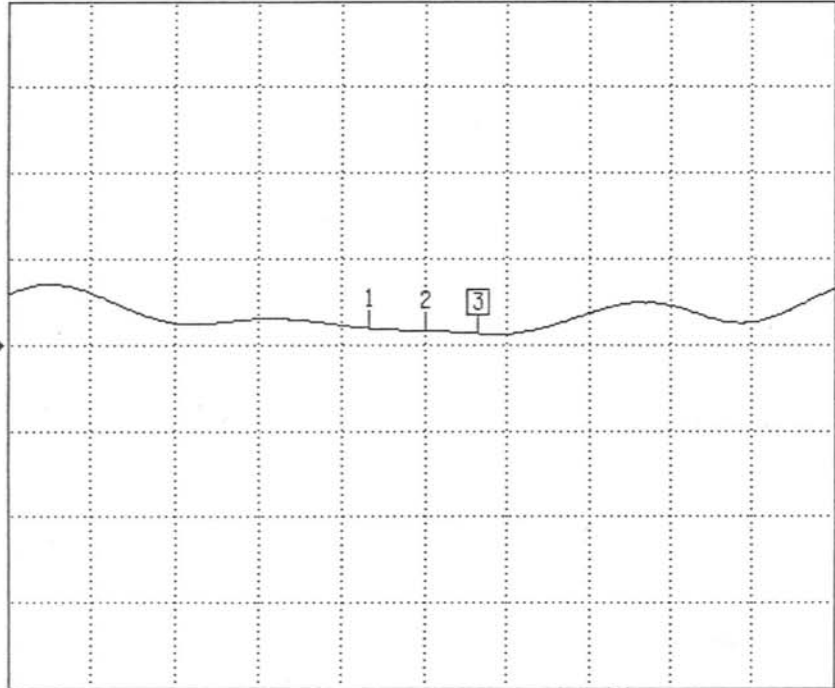
MODEL: DATE: 06/12/02 03:49 Page 1
DEVICE ID: OPERATOR:

START: 4.500000000 GHz GATE START: - ERROR CORR: REFL PORT1
STOP: 6.000000000 GHz GATE STOP: - AVERAGING: 1 PT
STEP: 0.003750000 GHz GATE: - IF BNDWIDTH: 1 KHz
WINDOW: -

-----CH1-----
PARAMETER: -S11-
NORMALIZATION: OFF
REFERENCE PLANE: 0.0000 mm
SMOOTHING: 0.0 PERCENT
DELAY APERTURE: -

S11 FORWARD REFLECTION TRANSMISSION/REFLECTION

SWR REF=0.000 pU 10.000 U/DIV



CH 1 - S11
REFERENCE PLANE
0.0000 mm

- 1: 5.150000000 GHz
1.879 U
- 2: 5.250000000 GHz
1.609 U
- 3: 5.350000000 GHz
1.264 U
- 4: OFF

MARKER TO PEAK

MORE

4 500.000 000 MHz

6 000.000 000 MHz

MS4623B

MODEL: DATE: 06/12/02 03:49 Page 1
 DEVICE ID: OPERATOR:

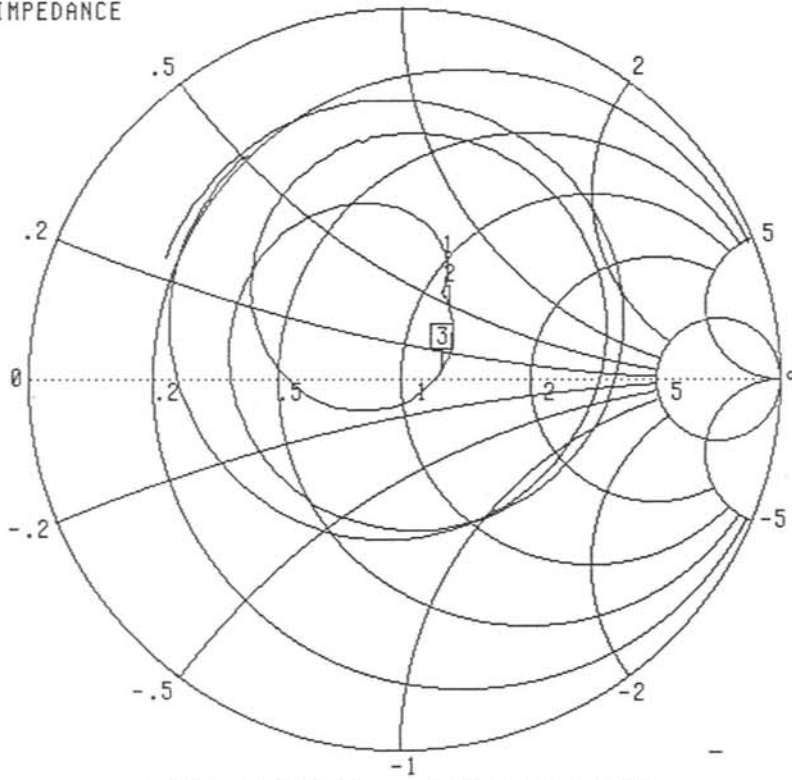
START: 4.500000000 GHz GATE START: - ERROR CORR: REFL PORT1
 STOP: 6.000000000 GHz GATE STOP: - AVERAGING: 1 PT
 STEP: 0.003750000 GHz GATE: - IF BNDWDTH: 1 KHz
 WINDOW: -

PARAMETER: -----CH1-----
 NORMALIZATION: -S11-
 REFERENCE PLANE: OFF
 SMOOTHING: 0.0000 mm
 DELAY APERTURE: 0.0 PERCENT
 -

S11 FORWARD REFLECTION
 IMPEDANCE

TRANS/REFL

CH 1 - S11
 REFERENCE PLANE
 0.0000 mm



- 1: 5.150000000 GHz
 54.143 Ω
 32.825 jΩ
- 2: 5.250000000 GHz
 59.257 Ω
 24.758 jΩ
- 3: 5.350000000 GHz
 62.620 Ω
 3.466 jΩ
- 4: OFF

MARKER TO PEAK

MORE

4 500.000 000 MHz - 6 000.000 000 MHz