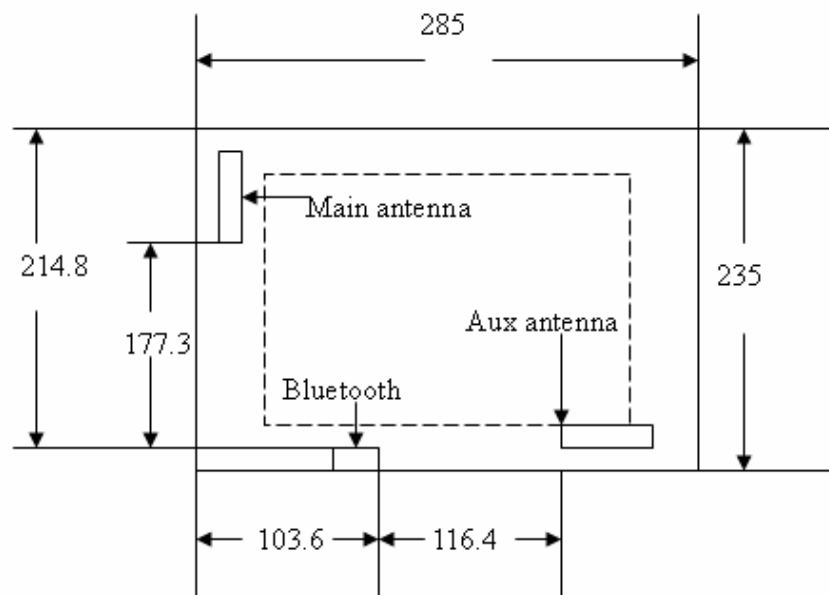
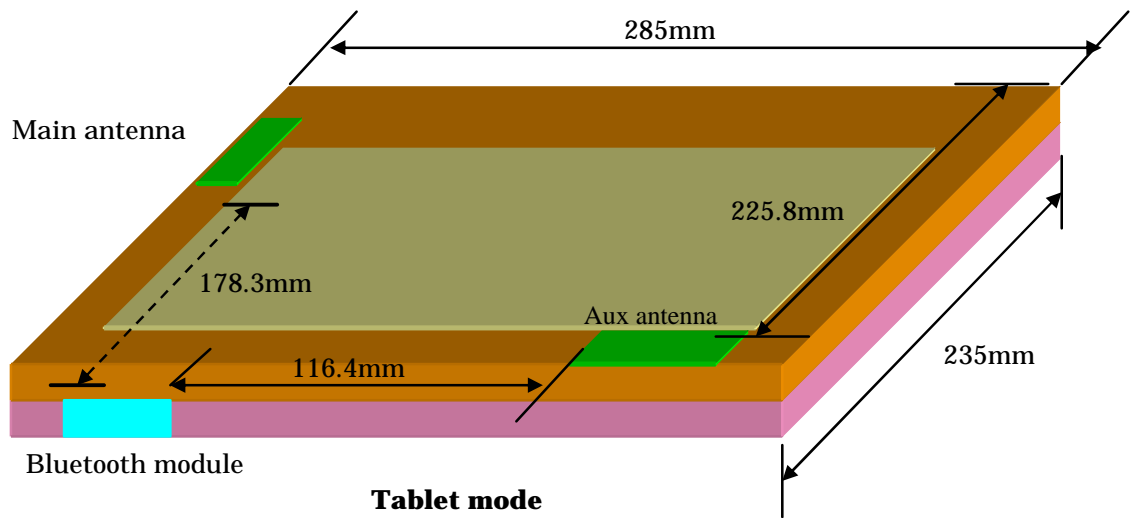


Section 5. Antenna Host Platform Location Information

Include a dimensioned photos or dimensioned drawings of main and auxiliary antenna placements.



Section 6. Antenna dimensional information for SAR evaluation

Include a dimensioned photos or dimensioned drawings showing the distance (mm) between the transmit (main) antenna and the user (excluding hands, wrist, feet, and ankle)



Section 7. Diagram Example of Co-Location Antenna Separation

Indicate distance between WLAN module antennas and Bluetooth/other radio antenna element.

(Note: Due to the evolving rules regarding co-location, each platform will need to be reviewed on a case by case basis)

