

Antenna Type	Monopole Type	
Antenna Model Number	HFT06	
Peak Gain	2GHz	1.7dBi
	5GHz	3.7dBi
Manufacturing Info	MFJ(Multi Frame Joiner) Type	
Antenna Dimension(Mechanical Drawings)	EH3849172 (Antenna ~ Transfer)	
	EH3849173 (Transfer ~ Connector)	
Cable Length	Main Antenna	307mm (Antenna ~ Transfer)
		240mm (Transfer ~ Connector)
	Aux Antenna	467mm (Antenna ~ Transfer)
		219mm (Transfer ~ Connector)
Cable Loss(including connector)	2GHz	2.2dB/m
	5GHz	3.8dB/m
Antenna Material	Antenna Element	MFJ (Hitachi Cable)
	Cable	Coaxial Cable (Hitachi Cable)
	Transfer	MMCX Connector (Molex or Aliner)
	Connector	Micro Coaxial Connector (I-PEX or Hirose)
Connector Info(general description)	Micro Coaxial Connector	

Pictures of Antennas



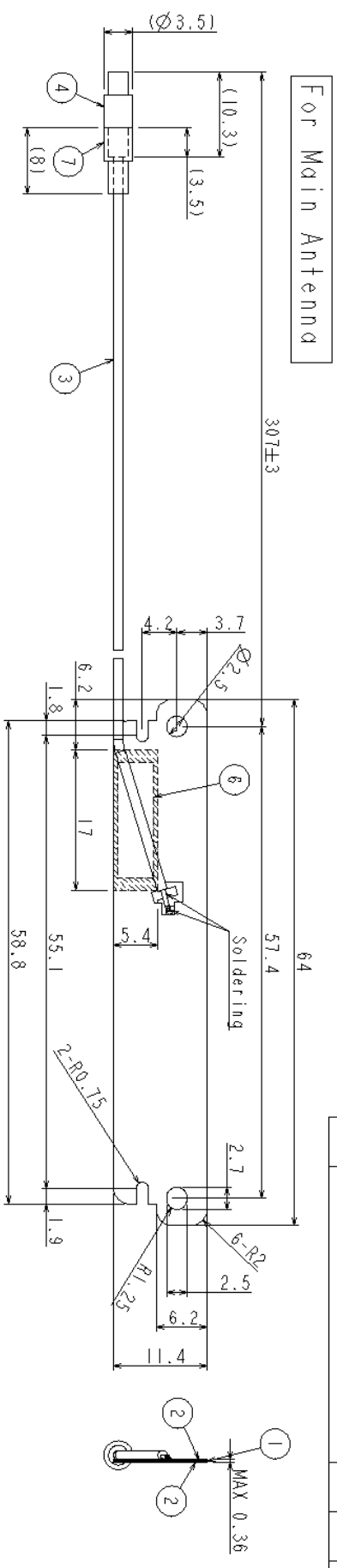
Front View



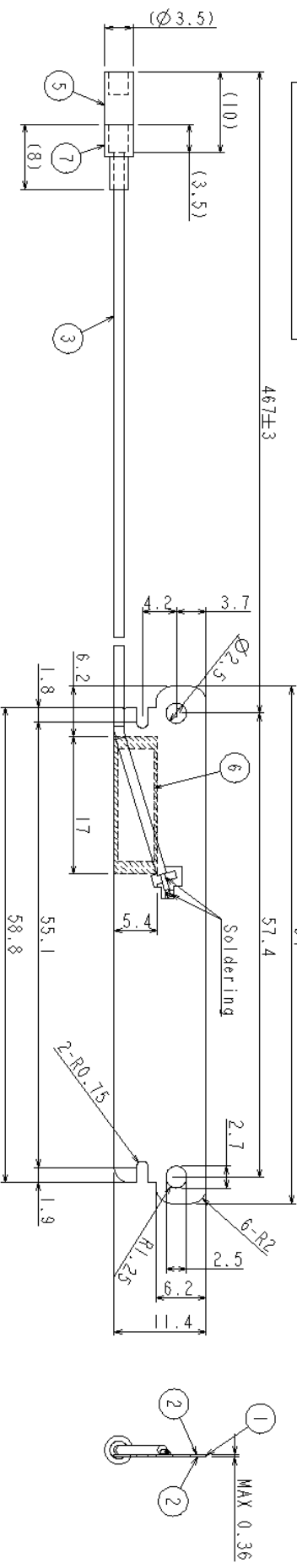
Back side View

EH3849172

MARK	REVISION	DATE	NAME	CHKD



For Main Antenna



For Aux Antenna

No.	Description
1	Conductor
2	Insulating Film
3	Coaxial Cable
4	MMCX JACK
5	MMCX PLUG
6	Product Label
7	Tube

TOLERANCES OF DIMENSIONS		TOLERANCE	
Dimension		Tolerance	
6	- 6	±0.1	
30	- 30	±0.2	
		±0.3	

DWN.	K. ENDO	03.04.23	TITLE
CHKD.	Y. YAMAMOTO	REGD.	PROJ.
APPD.	H. TATE		
SCALE	N.T.S		

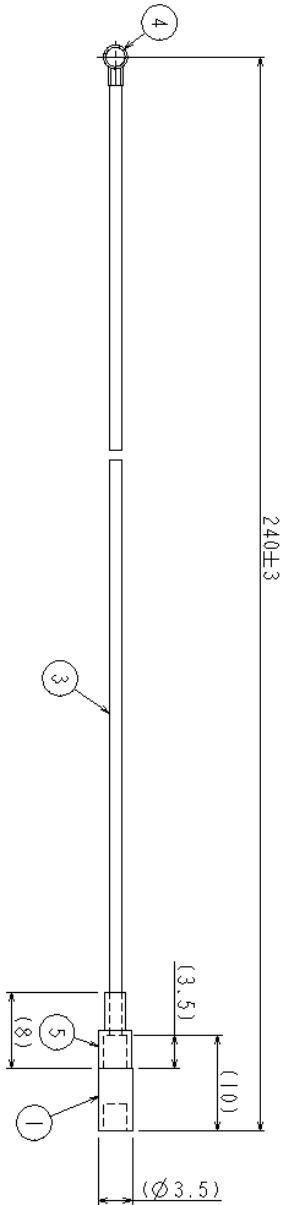
Hitachi Cable, Ltd.
Hitaka Works

HFT06-DL01-AS
EH3849172

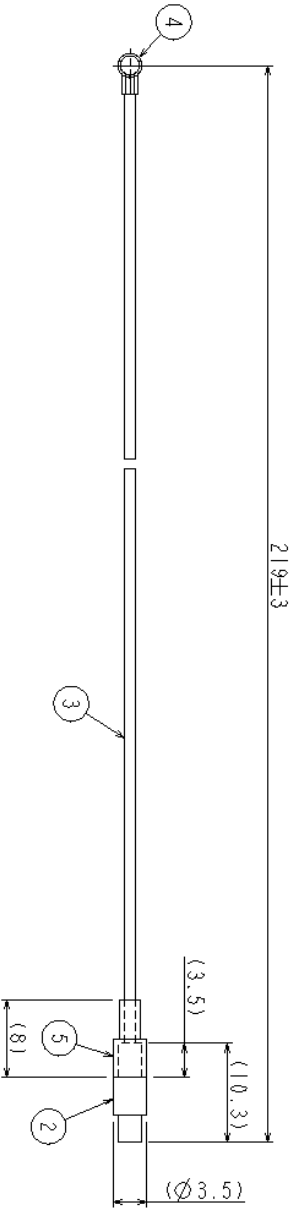
EH3849173

MARK	REVISION	DATE	NAME	CHKD

For Main Antenna



For Aux Antenna



No.	Description
①	MMCX PLUG
②	MMCX JACK
③	Coaxial Cable
④	Connector
⑤	Tube

TOLERANCES OF DIMENSIONS		Tolerance	
Dimension		±0.1	±0.2
6	- 6	±0.1	±0.2
30	- 30	±0.3	±0.3

DWN.	K. ENDO	03.04.23
CHKD.	Y. YAMAMOTO	REGD. PROJ.
APPD.	H. TATE	
SCALE	N.T.S	

TITLE	HFT06-DL01-MS
-------	---------------

Hitachi Cable, Ltd.
Hitaka Works

EH3849173

The Radiation Pattern of Blade2

