

PROPRIETARY NOTE

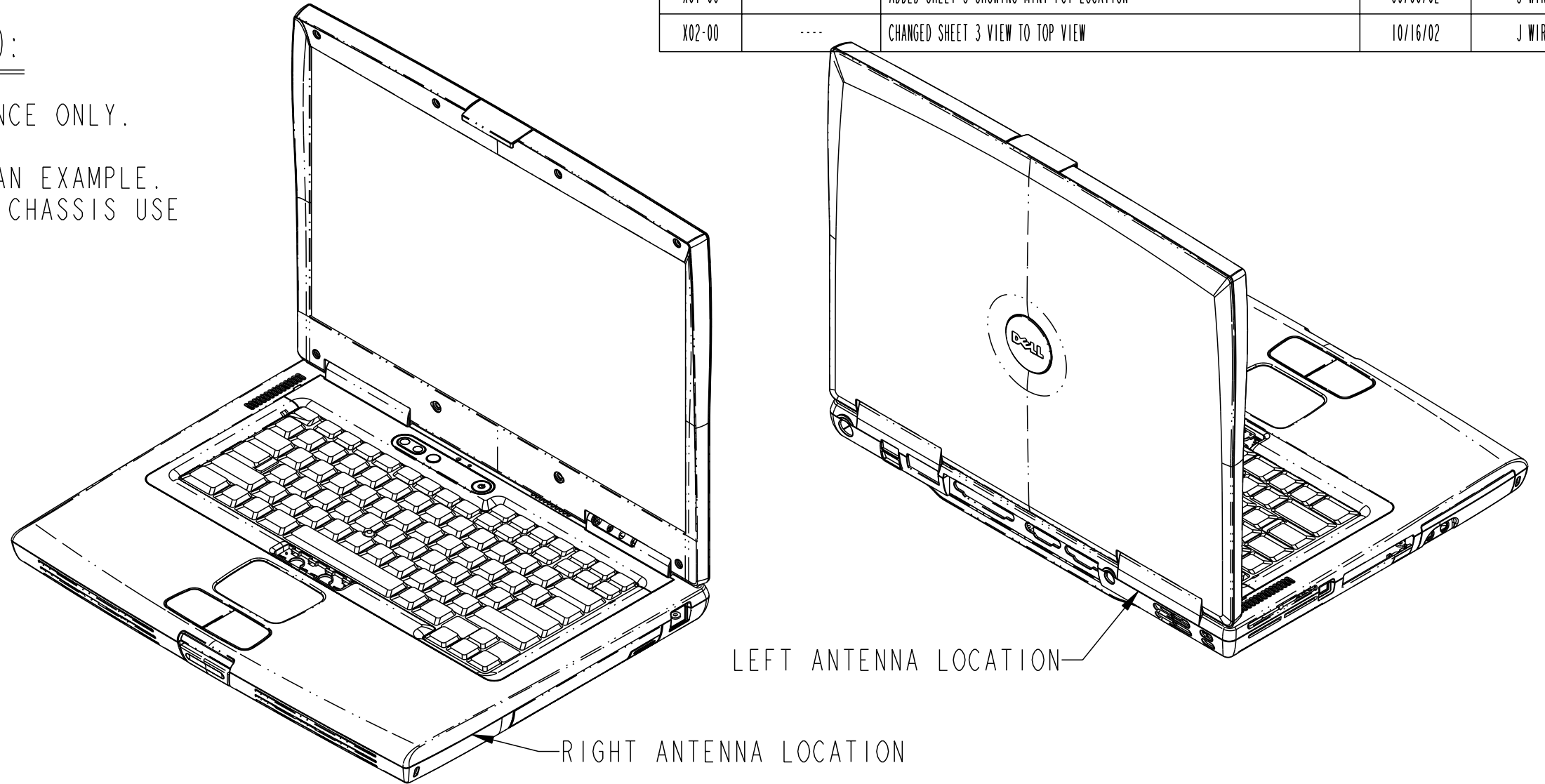
THIS ITEM IS THE PROPERTY OF DELL COMPUTER CORP., AUSTIN, TEXAS AND CONTAINS CONFIDENTIAL AND TRADE SECRET INFORMATION. THIS ITEM MAY NOT BE TRANSFERRED FROM THE CUSTODY OF DELL COMPUTER CORP. EXCEPT AS AUTHORIZED BY DELL COMPUTER CORP. AND THEN ONLY BY WAY OF LOAN FOR LIMITED PURPOSES. IT MUST NOT BE REPRODUCED IN WHOLE OR IN PART AND MUST BE RETURNED TO DELL COMPUTER CORP. UPON REQUEST AND IN ALL EVENTS UPON COMPLETION OF THE PURPOSE OF THE LOAN. NEITHER THIS ITEM NOR THE INFORMATION IT CONTAINS MAY BE USED BY OR DISCLOSED TO PERSONS NOT HAVING A NEED FOR SUCH USE OR DISCLOSURE CONSISTENT WITH THE PURPOSE OF THE LOAN WITHOUT PRIOR WRITTEN CONSENT OF DELL COMPUTER CORPORATION.

REVISIONS

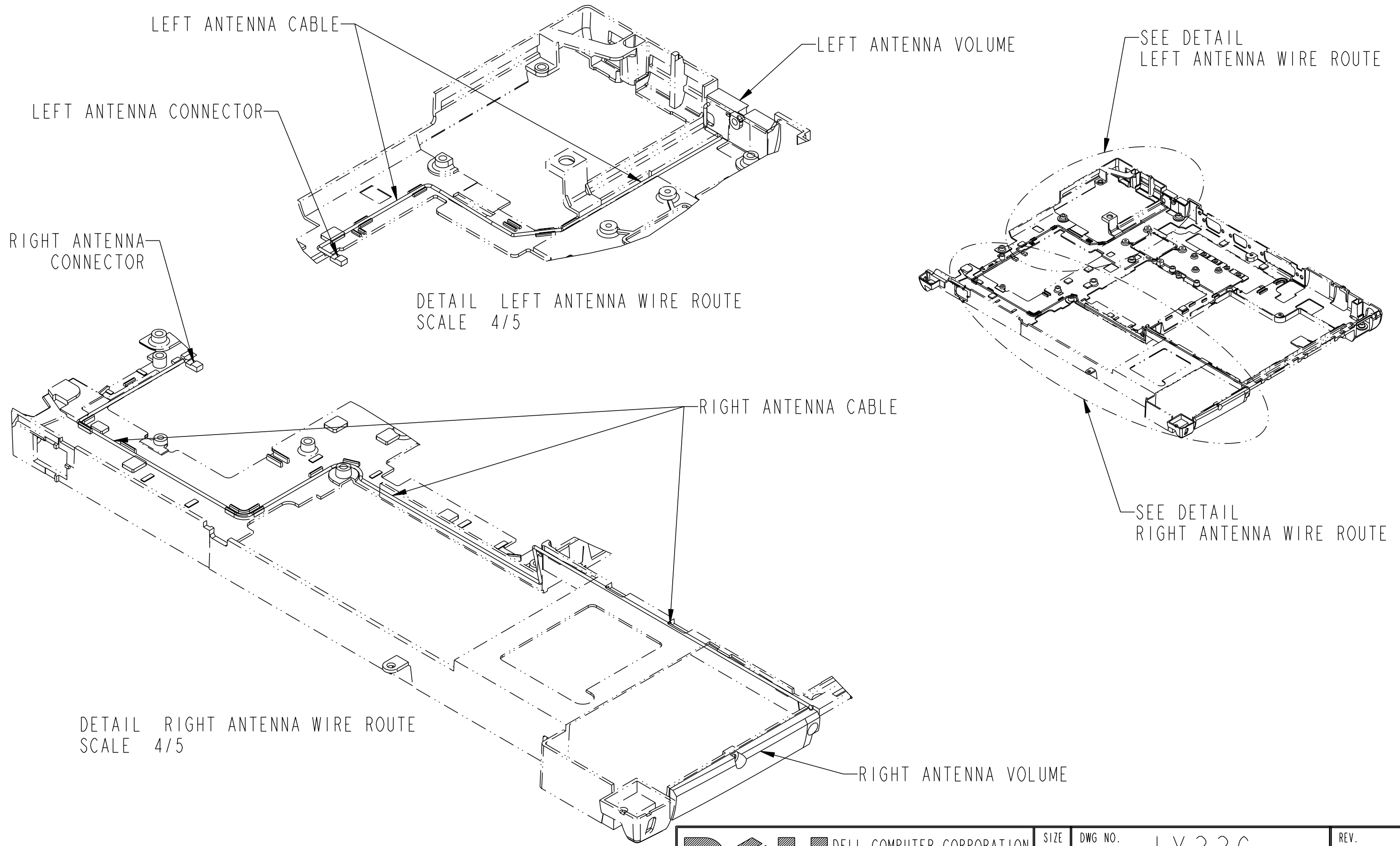
REV	ECO	DESCRIPTION	DATE	APPROVED
X00-00	----	CREATED DRAWING	----	----
X01-00	----	ADDED SHEET 3 SHOWING MINI-PCI LOCATION	09/06/02	J WIRTZ
X02-00	----	CHANGED SHEET 3 VIEW TO TOP VIEW	10/16/02	J WIRTZ

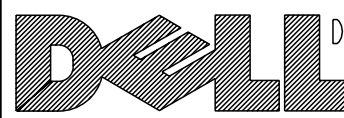
NOTES: (UNLESS OTHERWISE SPECIFIED):

- ISOMETRIC VIEWS FOR REFERENCE ONLY.
- LATITUDE CHASSIS SHOWN AS AN EXAMPLE. THE INSPIRON AND PRECISION CHASSIS USE THE SAME ANTENNA PLACEMENT.



ITEM	QTY	DESCRIPTION	VENDOR	PART NO.	REFERENCE	
BILL OF MATERIALS						
HIGHEST IDENTIFIER NO. USED DIMENSION IDENTIFIER NO. NOT USED		A CURRENT ISSUE OF THIS DRAWING MUST INCLUDE A COPY OF THE FOLLOWING ECO'S: ECO..... DATE.../.../... ECO..... DATE.../.../... ECO..... DATE.../.../... ECO..... DATE.../.../... ECO..... DATE.../.../...	UNLESS OTHERWISE SPECIFIED ALL DIMENSIONS ARE IN: MILLIMETERS [INCHES]. TOLERANCES X.XX [.XXX] = ±0.10 [.004] ANGULAR $\angle = \pm 30'$ HOLE DIAMETER 0 [0] THRU 6.3 [.250] 6.38 [.251] THRU 12.70 [.500] 12.73 [.501] AND UP +0.08 [.003] +0.13 [.005] +0.25 [.010] -0.05 [.002] -0.08 [.003] -0.13 [.005]	DRAWN J WIRTZ 08/05/02 CHECKED A MEHROTRA 08/09/02 ENGINEER J WIRTZ 08/05/02 APPROVAL APPROVAL APPROVAL APPROVAL	DELL DELL COMPUTER CORPORATION AUSTIN, TEXAS TITLE: SPEC, MECH, ANT, GNRC, LIKA SIZE B DWG NO. 1X336 REV. X02-00 SCALE: 3/10 SHEET 1 OF 3	
		THREADS: EXT 2A, INT 2B				

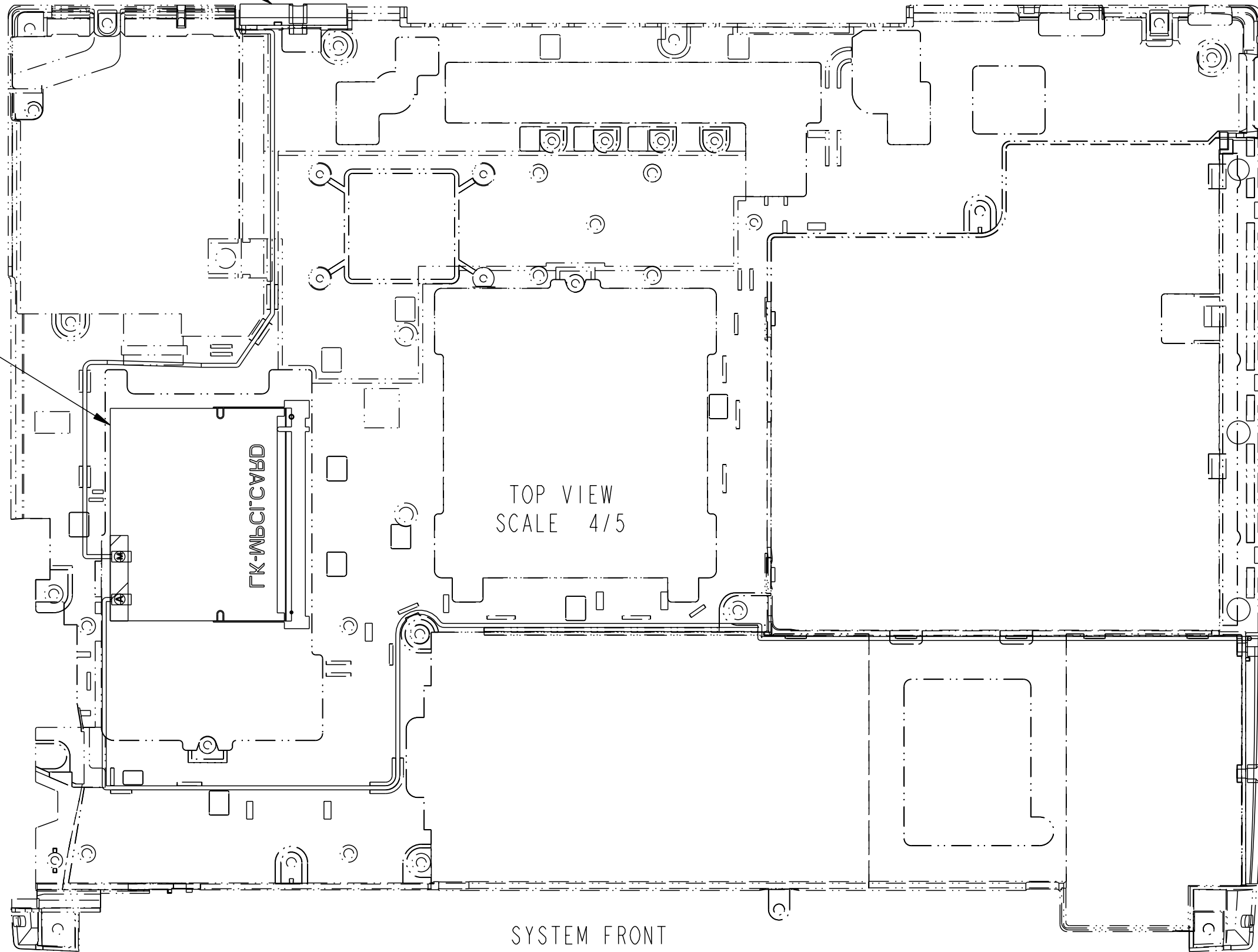


 DELL COMPUTER CORPORATION AUSTIN, TEXAS	SIZE B	DWG NO. 1X336	REV. X02-00
	SCALE: 3/10	SHEET 2 OF 3	

LEFT ANTENNA VOLUME

MINI-PCI CARD

SYSTEM LEFT



TOP VIEW
SCALE 4/5

SYSTEM FRONT

RIGHT ANTENNA
VOLUME

DELL DELL COMPUTER CORPORATION
AUSTIN, TEXAS

SIZE B	DWG NO. 1X336	REV. X02-00
SCALE: 3/10	SHEET 3	OF 3

PROPRIETARY NOTE

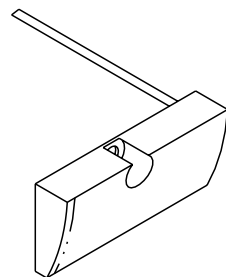
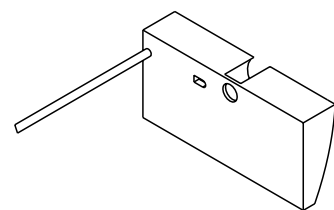
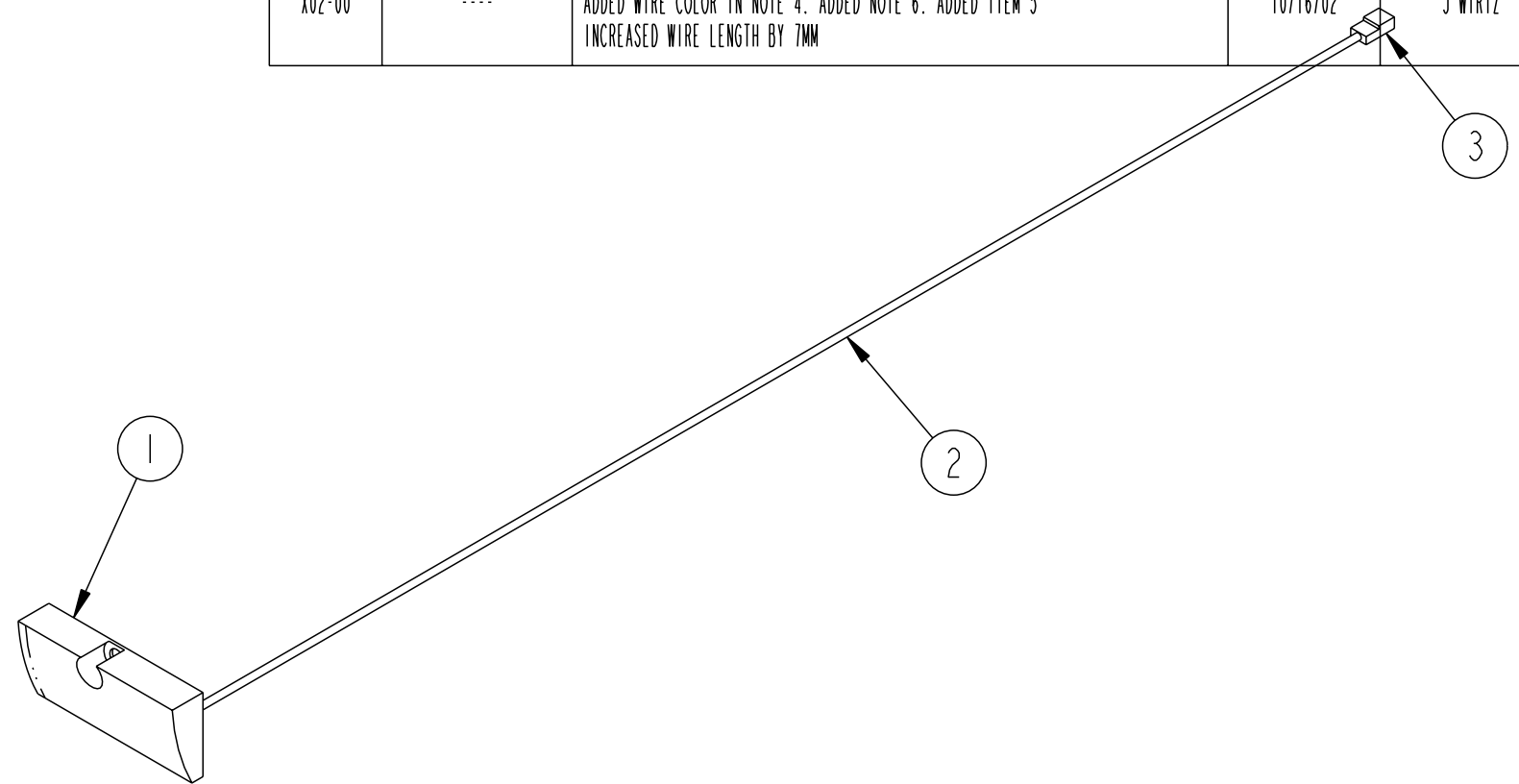
THIS ITEM IS THE PROPERTY OF DELL COMPUTER CORP., AUSTIN, TEXAS AND CONTAINS CONFIDENTIAL AND TRADE SECRET INFORMATION. THIS ITEM MAY NOT BE TRANSFERRED FROM THE CUSTODY OF DELL COMPUTER CORP. EXCEPT AS AUTHORIZED BY DELL COMPUTER CORP. AND THEN ONLY BY WAY OF LOAN FOR LIMITED PURPOSES. IT MUST NOT BE REPRODUCED IN WHOLE OR IN PART AND MUST BE RETURNED TO DELL COMPUTER CORP. UPON REQUEST AND IN ALL EVENTS UPON COMPLETION OF THE PURPOSE OF THE LOAN. NEITHER THIS ITEM NOR THE INFORMATION IT CONTAINS MAY BE USED BY OR DISCLOSED TO PERSONS NOT HAVING A NEED FOR SUCH USE OR DISCLOSURE CONSISTENT WITH THE PURPOSE OF THE LOAN WITHOUT PRIOR WRITTEN CONSENT OF DELL COMPUTER CORPORATION.

REVISIONS

REV	ECO	DESCRIPTION	DATE	APPROVED
X00-00	----	CREATED DRAWING	----	----
X01-00	----	ADDED 2 ISO VIEWS TO SHEET 1	09/06/02	J WIRTZ
X02-00	----	ADDED WIRE COLOR IN NOTE 4. ADDED NOTE 6. ADDED ITEM 5 INCREASED WIRE LENGTH BY 7MM	10/16/02	J WIRTZ

NOTES: (UNLESS OTHERWISE SPECIFIED):

1. INTERPRET DIMENSIONS PER ASME Y14.5M-1994.
2. DRAWING FOR INSPECTION PURPOSES ONLY. ACTUAL PARTS SHALL CONFORM TO ELECTRONIC DATABASE. TOLERANCE SHALL CONFORM TO DRAWING STANDARD.
3. ISOMETRIC VIEWS FOR REFERENCE ONLY.
4. ITEM 2 COAXIAL CABLE SHALL BE NISSEI RF-MF5016 OR EQUIVALENT FEP INSULATED / FEP JACKETED COAXIAL CABLE APPROVED BY DELL ENGINEERING. WIRE COLOR SHOULD BE WHITE.
5. ITEM 2 COAXIAL CABLE SHALL EXIT THE ANTENNA VOLUME IN THE LOCATION AND DIRECTION SHOWN IN THE MODEL DATABASE UNLESS PRIOR APPROVAL IS GIVEN BY DELL ENGINEERING.
6. ASSEMBLY SHALL CONFORM TO ITEM 4 AND 5. IN THE CASE OF CONFLICT, THIS DRAWING SHALL TAKE PRECEDENCE.

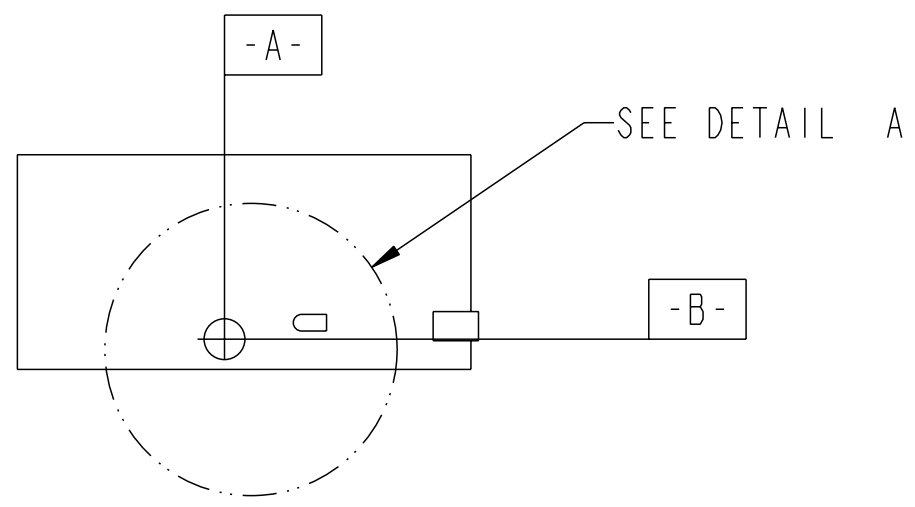
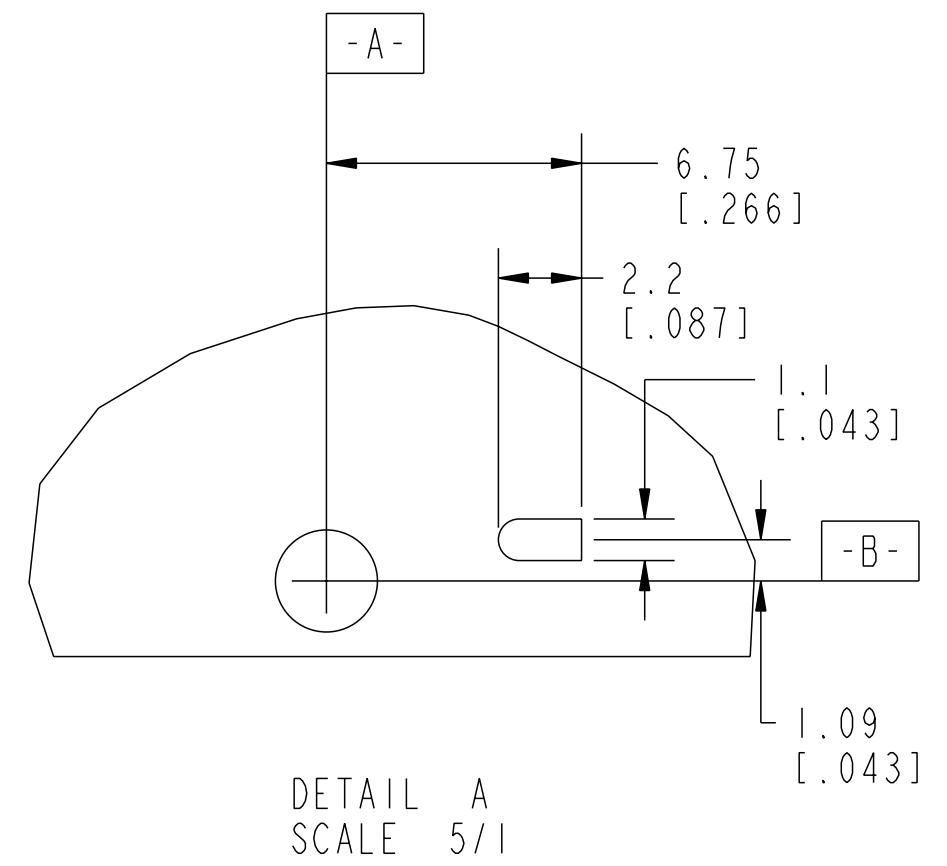
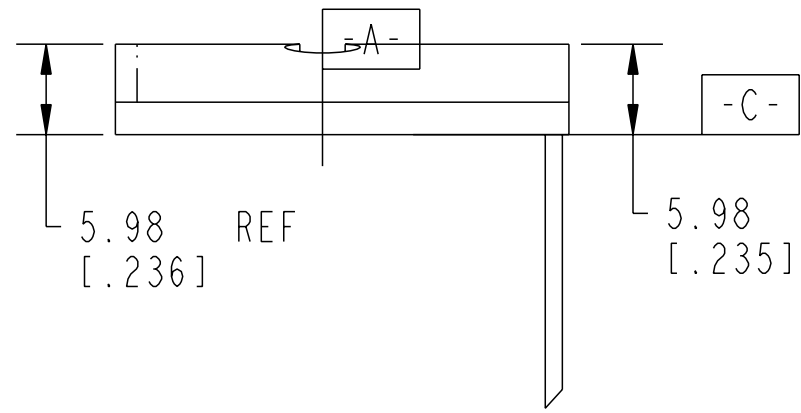
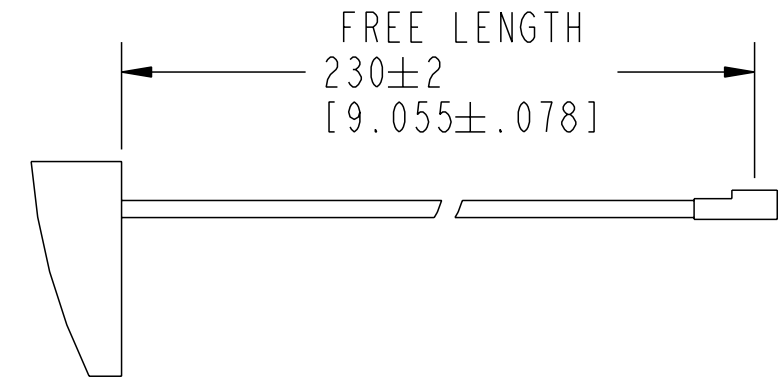
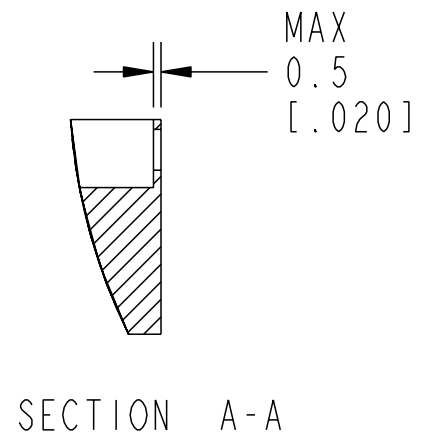
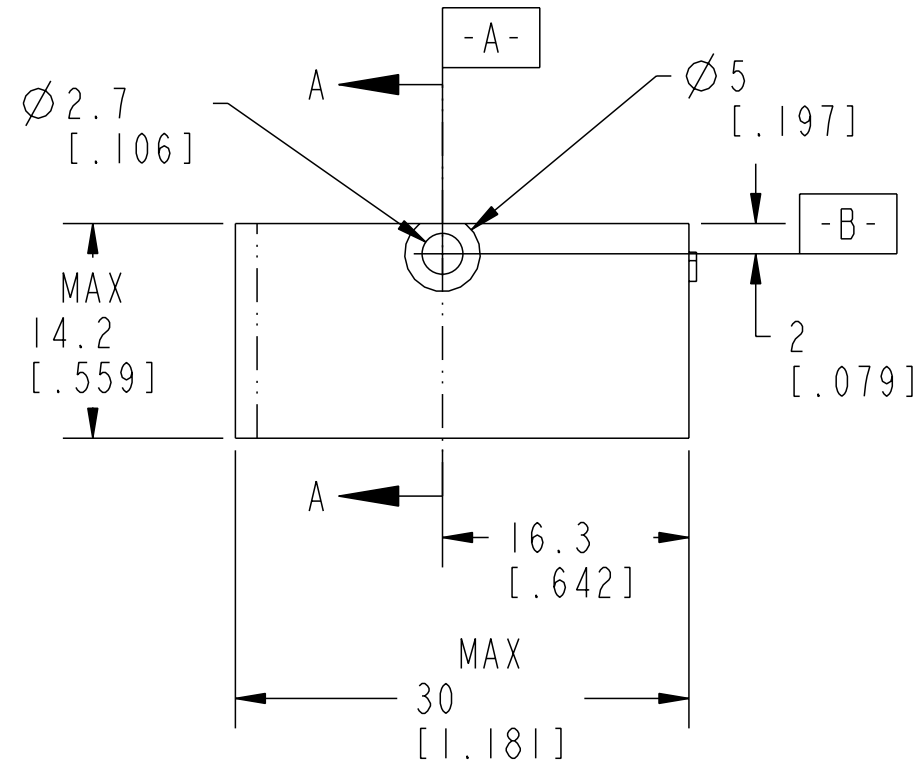


ITEM	QTY	DESCRIPTION	VENDOR	PART NO.	REFERENCE
5	REF	SPEC, WRLES, ANT, REQT	DELL	2Y735	NOTE NO. 6
4	REF	SPEC, MECH, ANT, GNRC, LIKA	DELL	1X336	NOTE NO. 6
3	1	CON, BNC, COAX, RCPTL, 2X2.5, RA, G	DELL	2N881	
2	1	COAXIAL CABLE	-	-	NOTE NO. 4 AND 5
1	1	ANTENNA VOLUME	-	-	SPEC_MECH_LEFT_ANTENNA_VOL.PRT

ITEM	QTY	DESCRIPTION	VENDOR	PART NO.	REFERENCE
------	-----	-------------	--------	----------	-----------

BILL OF MATERIALS

HIGHEST IDENTIFIER NO. USED	A CURRENT ISSUE OF THIS DRAWING MUST INCLUDE A COPY OF THE FOLLOWING ECO'S:	UNLESS OTHERWISE SPECIFIED ALL DIMENSIONS ARE IN: MILLIMETERS [INCHES].	DRAWN J WIRTZ	DATE 08/05/02	DELL DELL COMPUTER CORPORATION AUSTIN, TEXAS
DIMENSION IDENTIFIER NO. NOT USED	ECO..... DATE.../.../...	TOLERANCES	CHECKED A MEHROTRA	DATE 08/09/02	
	ECO..... DATE.../.../...	X.XX [.XXX] = ±0.10 [.004]	ENGINEER J WIRTZ	DATE 08/05/02	TITLE:
	ECO..... DATE.../.../...	ANGULAR $\angle = \pm 30^\circ$	APPROVAL		ASSY, ANT, LF, LIKA
	ECO..... DATE.../.../...	HOLE DIAMETER	APPROVAL		
	ECO..... DATE.../.../...	0 [0] THRU 6.3 [.250] 6.38 [.251] THRU 12.70 [.500] 12.73 [.501] AND UP	APPROVAL		SIZE B
	ECO..... DATE.../.../...	+0.08 [.003] +0.13 [.005] +0.25 [.010]	APPROVAL		DWG NO. 9W894
		-0.05 [.002] -0.08 [.003] -0.13 [.005]			REV. X02-00
		THREADS: EXT 2A, INT 2B			SCALE: 1/1
					SHEET 1 OF 2



PROPRIETARY NOTE

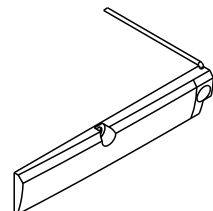
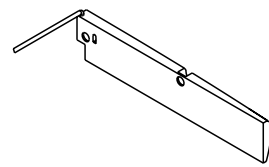
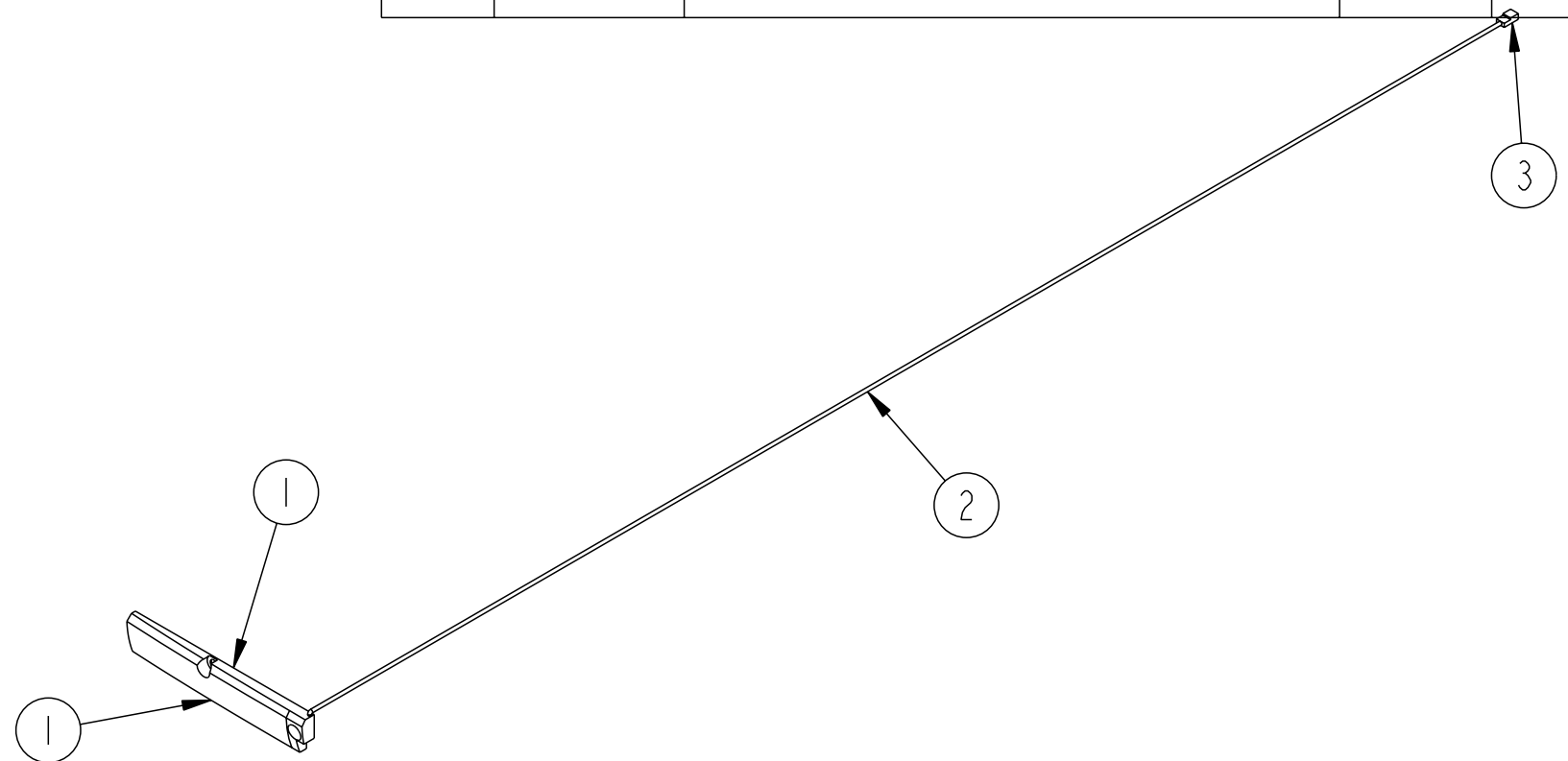
THIS ITEM IS THE PROPERTY OF DELL COMPUTER CORP., AUSTIN, TEXAS AND CONTAINS CONFIDENTIAL AND TRADE SECRET INFORMATION. THIS ITEM MAY NOT BE TRANSFERRED FROM THE CUSTODY OF DELL COMPUTER CORP. EXCEPT AS AUTHORIZED BY DELL COMPUTER CORP. AND THEN ONLY BY WAY OF LOAN FOR LIMITED PURPOSES. IT MUST NOT BE REPRODUCED IN WHOLE OR IN PART AND MUST BE RETURNED TO DELL COMPUTER CORP. UPON REQUEST AND IN ALL EVENTS UPON COMPLETION OF THE PURPOSE OF THE LOAN. NEITHER THIS ITEM NOR THE INFORMATION IT CONTAINS MAY BE USED BY OR DISCLOSED TO PERSONS NOT HAVING A NEED FOR SUCH USE OR DISCLOSURE CONSISTENT WITH THE PURPOSE OF THE LOAN WITHOUT PRIOR WRITTEN CONSENT OF DELL COMPUTER CORPORATION.

REVISIONS

REV	ECO	DESCRIPTION	DATE	APPROVED
X00-00	----	CREATED DRAWING	----	----
X01-00	----	ADDED 2 ISO VIEWS ON SHEET 1	09/06/02	J WIRTZ
X02-00	----	ADDED WIRE COLOR IN NOTE 4. ADDED NOTE 6. ADDED ITEM 5. INCREASED WIRE LENGTH 23.4MM	10/16/02	J WIRTZ

NOTES: (UNLESS OTHERWISE SPECIFIED):

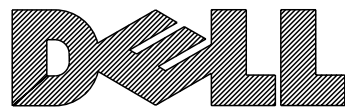
1. INTERPRET DIMENSIONS PER ASME Y14.5M-1994.
2. DRAWING FOR INSPECTION PURPOSES ONLY. ACTUAL PARTS SHALL CONFORM TO ELECTRONIC DATABASE. TOLERANCE SHALL CONFORM TO DRAWING STANDARD.
3. ISOMETRIC VIEWS FOR REFERENCE ONLY.
4. ITEM 2 COAXIAL CABLE SHALL BE NISSEI RF-MF5016 OR EQUIVALENT FEP INSULATED / FEP JACKETED COAXIAL CABLE APPROVED BY DELL ENGINEERING. WIRE COLOR SHOULD BE BLACK.
5. ITEM 2 COAXIAL CABLE SHALL EXIT THE ANTENNA VOLUME IN THE LOCATION AND DIRECTION SHOWN IN THE MODEL DATABASE UNLESS PRIOR APPROVAL IS GIVEN BY DELL ENGINEERING.
6. ASSEMBLY SHALL CONFORM TO ITEM 4 AND 5. IN THE CASE OF CONFLICT, THIS DRAWING SHALL TAKE PRECEDENCE.

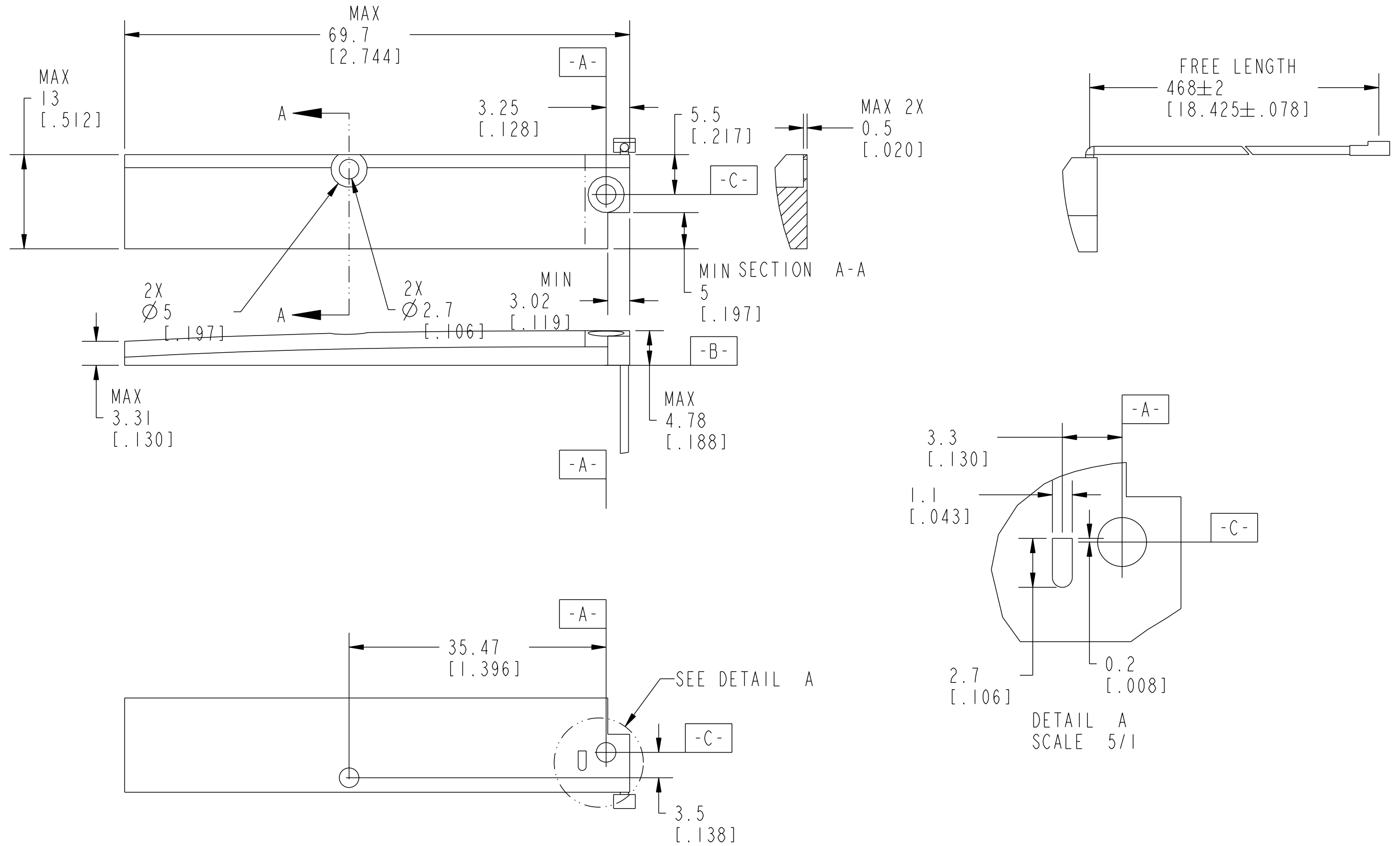


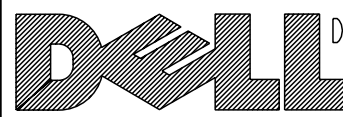
ITEM	QTY	DESCRIPTION	VENDOR	PART NO.	REFERENCE
5	REF	SPEC, WRLES, ANT, REQ	DELL	2Y735	NOTE NO. 6
4	REF	SPEC, MECH, ANT, GNRC, LIKA	DELL	1X336	NOTE NO. 6
3	1	CON, BNC, COAX, RCPTL, 2X2.5, RA, G	DELL	2N881	
2	1	COAXIAL CABLE	-	-	NOTE NO. 4 AND 5
1	1	ANTENNA VOLUME	-	-	SPEC_MECH_RIGHT_ANTENNA_VOL.PRT

ITEM	QTY	DESCRIPTION	VENDOR	PART NO.	REFERENCE
------	-----	-------------	--------	----------	-----------

BILL OF MATERIALS

HIGHEST IDENTIFIER NO. USED	A CURRENT ISSUE OF THIS DRAWING MUST INCLUDE A COPY OF THE FOLLOWING ECO'S: ECO..... DATE.../.../... ECO..... DATE.../.../... ECO..... DATE.../.../... ECO..... DATE.../.../... ECO..... DATE.../.../...	UNLESS OTHERWISE SPECIFIED ALL DIMENSIONS ARE IN: MILLIMETERS [INCHES]. TOLERANCES X.XX [.XXX] = ±0.10 [.004] ANGULAR $\angle = \pm 30^\circ$ HOLE DIAMETER 0 [0] THRU 6.3 [.250] 6.38 [.251] THRU 12.7 [.501] AND UP +0.08 [.003] +0.13 [.005] +0.25 [.010] -0.05 [.002] -0.08 [.003] -0.13 [.005] THREADS: EXT 2A, INT 2B	DRAWN J WIRTZ	DATE 08/05/02	 DELL COMPUTER CORPORATION AUSTIN, TEXAS TITLE: ASSY, ANT, RT, LIKA SIZE B DWG NO. 9W900 REV. X02-00 SCALE: 1/2 SHEET 1 OF 2
DIMENSION IDENTIFIER NO. NOT USED			CHECKED A MEHROTRA	DATE 08/09/02	
			ENGINEER J WIRTZ	DATE 08/05/02	
			APPROVAL		
			APPROVAL		



 DELL COMPUTER CORPORATION AUSTIN, TEXAS	SIZE B	DWG. NO. 9W900	REV. X02-00
	SCALE: 2/1	SHEET 2	OF 2