



Platform Specific Supplement to Antenna Spec

Platform : Bondi

July 22, 2002

Version 0.1

Revision History

Date	Revision	Explanation of change	Revised by
7/22/02	0.1	Initial Draft	Akanksha Mehrotra

Table of Contents

1. Scope	3
2. Introduction	3
3. Platform Specific Requirements	3
3.1 Antenna Location	3
3.2 Antenna Volume	4
3.3 Cable Routing	7

Platform Specific Supplement Document

1. Scope

The objective of this document is to provide platform specific mechanical requirements to supplement the Dell Antenna Specification. It is not intended to be a replacement for the Dell Antenna Specification or any mechanical drawings produced by both Dell and/or the ODM Mechanical Team as related to the platform.

The information provided in this document is subject to change. The platform ME Leads will have the most current information on the platform.

This document will cover the following platform specific areas:

- Antenna Location
- Antenna Volume
- Cable routing

2. Introduction

This document is intended for the following external parties under NDA:

- Dell vendors
- Dell partners

This document is intended for the following internal Dell audience:

- Platform teams
- Peripheral development teams

3. Platform Specific Requirements

3.1 Antenna Location

The main antenna on Bondi is located on the left rear end of the platform. The Aux antenna is located on the right hand side of the platform towards the front. This is shown below.

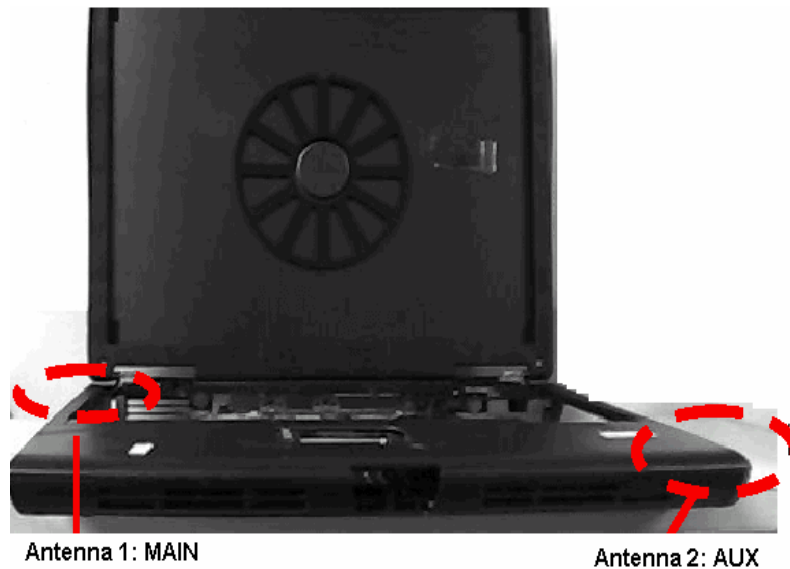


Fig3.1.1 : Antenna locations on Bondi

3.2 Antenna Volume

- Left Antenna (Main)

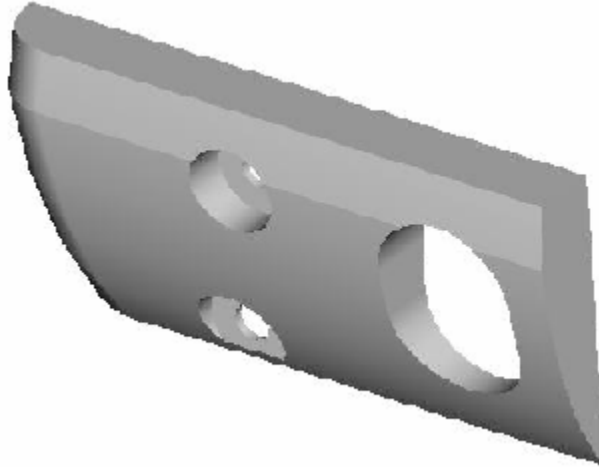


Fig 3.2.1: Isometric View of Left Antenna Volume

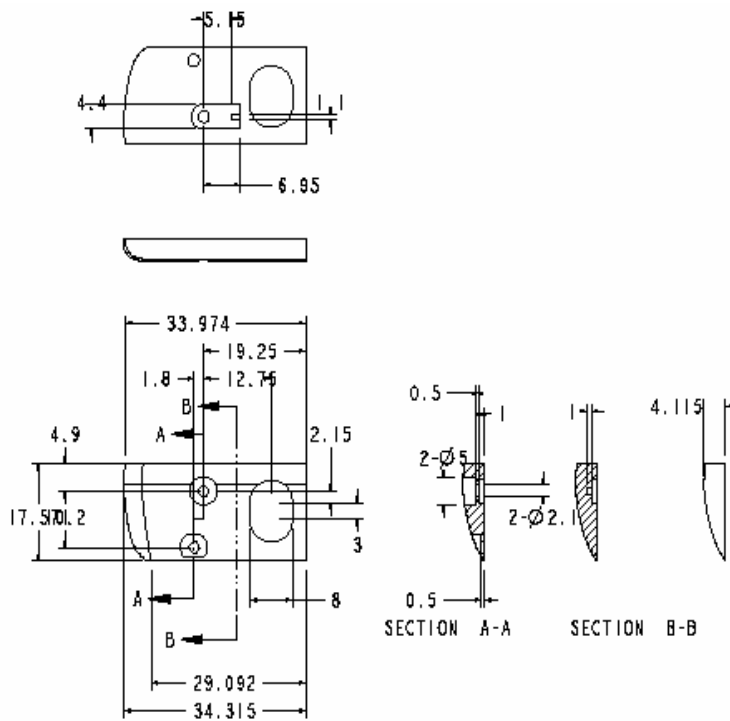


Fig 3.2.2: Cross-section view of left antenna volume

- Right Antenna (Aux)

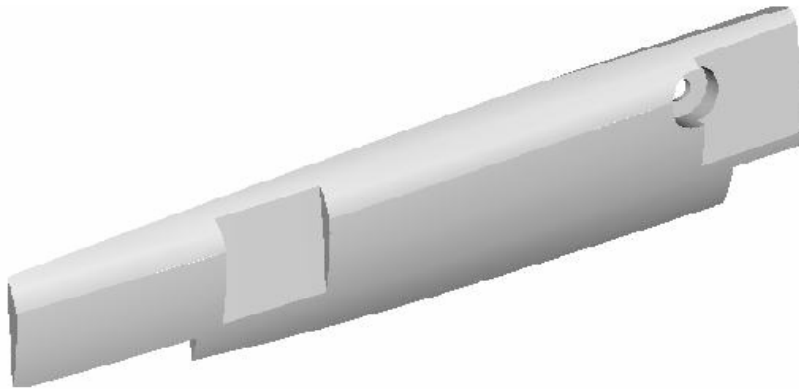


Fig 3.2.3 : Isometric View of Right Antenna Volume

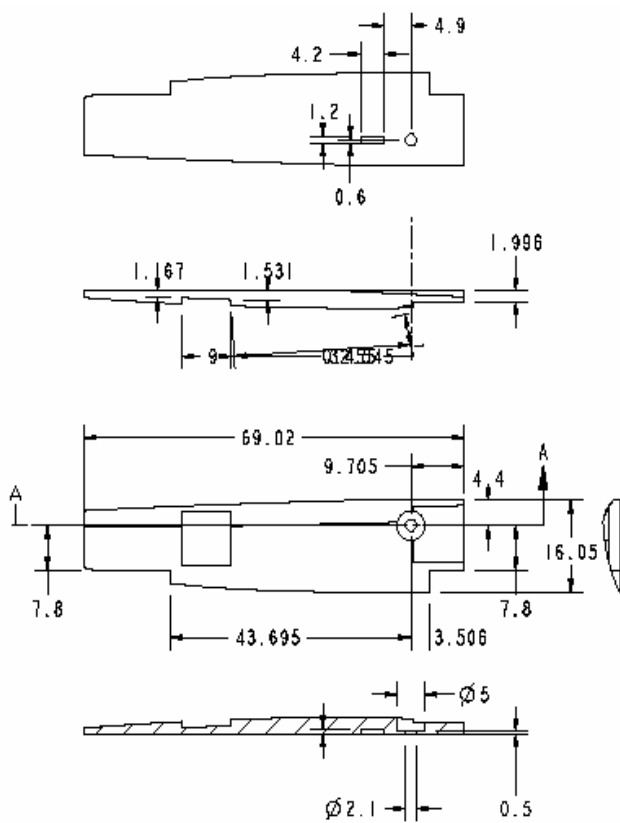


Fig 3.2.4: Cross Sectional View of Right Antenna Volume

The table below shows antenna volume dimensions in x,y,z dimensions. Please be aware that these dimensions are approximate since the maximum volume involves complex curved surfaces.

Antenna	Length (mm)	Width (mm)	Height (mm)
Main (left)	16.5	10.5	0.4
Aux (right)	24.0	11.5	0.4

3.3 Cable Routing

The table below shows antenna cable length for the main and aux antenna.

Antenna	Antenna Cable Length (mm)
Main (left)	156
Aux (right)	425

The picture below shows routing of the cable assembly for the main and aux antennas.

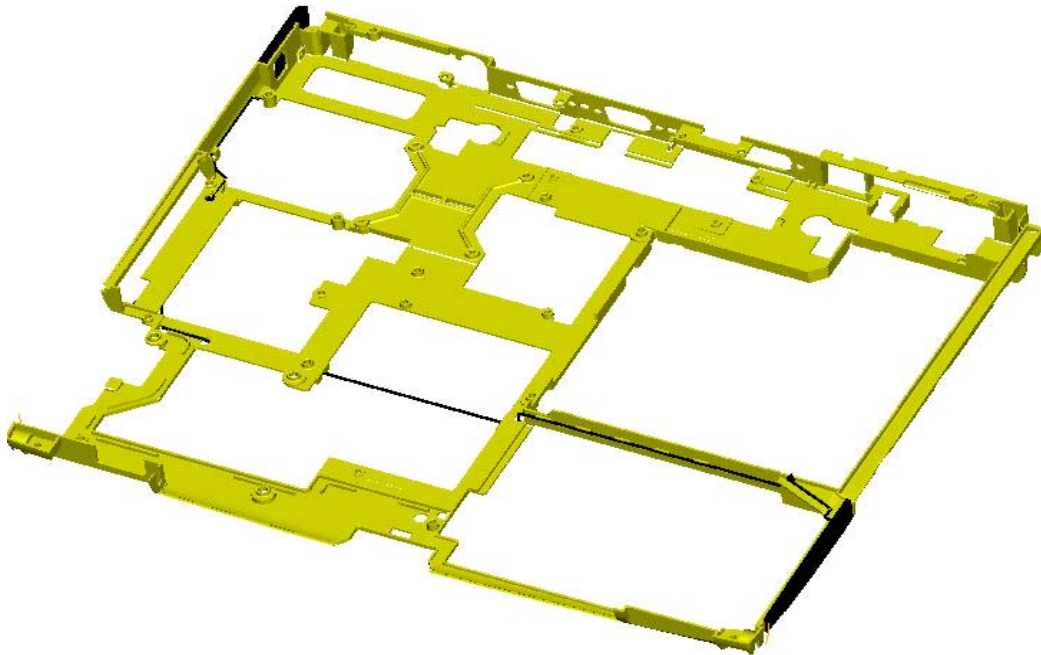


Fig 3.4.1 : Cable routing on Bondi for main and aux antennas.