



Dreamus Corp.

APPROVAL SHEET

SP3000			
NO	MODEL	FREQUENCY	
1	HWI-ABG-SP3000	WIFI 2.4GHz/BT	2400 ~ 2484 MHz
		WIFI 5GHz	5170 ~ 5825 MHz

SUPPLIER			CUSTOMER		
Engineer	Review	Approved	Engineer	Review	Approved
					
22/06/14		22/06/14			



HANWOOL TECHNOLOGY CO., LTD
#1002 IT303-DONG, PUCHONTECHNOPARK III 36-1
SAMJUNG-DONG, OHJUNG-GU, KYOUNG GI-DO, KOREA
TEL: 032) 624-2555
FAX: 032) 624-2559

ANTENNA SPECIFICATION

1. MODEL: HWI-ABG-SP3000

2. APPLICATION:

This specification is provided for WIFI 2.4, 5GHz/BT ANTENNA.

3 ANTENNA used condition

■Portable ■Fixing ■Movement ■Out-door ■In-door ■Etc()

4. ANTENNA Drawing

#3. Attached : Drawing paper

5. Electrical specification and performance

Satisfied next data with real used or similar environment conditions.

No.	ELECTRICAL DATA	SPECIFICATIONS		REMARK
5. 1	FREQUENCY RANGE	WIFI 2.4GHz /BT	2400 ~ 2484 MHz	
		WIFI 5GHz	5170 ~ 5825 MHz	
5. 2	IMPEDANCE	50 Ω NOMINAL		
5. 3	V. S. W. R	WIFI 2.4GHz /BT	Less than 1 : 4.10	#1. Attached
		WIFI 5GHz	Less than 1 : 4.11	
5. 4	PEAK GAIN	WIFI 2.4GHz /BT	-0.25 dBi	#2. Attached
		WIFI 5GHz	0.66 dBi	
5. 5	RADIATION PATTERN	OMNI - DIRECTIONAL		
5. 6	POLARIZATION	LINEAR		

6. Hardware specification and mechanical

No.	MECHANICAL	SPECIFICATIONS	REMARK
2. 6. 1	CARRIER [W X H X T]	45.70 X 9.60 X 9.60 (mm)	

7. SINUSOIDAL VIBRATION

Vibration Frequencies : 5- 55 Hz (1 cycle)

Sweep Rate : 1 cycle/min

Maximum Amplitude : A - 1 mm

Maximum Acceleration: 2 g

Measuring method

Antenna is combined in the test equipment.

The vibration is done X and Y direction (left, right, up and down) according to below image.

It continued for 2 hours each direction.

8. OPERATING TEMPERATURE

Temperature : - 40℃ / +70℃

Demands : Set Antenna and Cable for 72 hours each temperature.

No visual and mechanical changes.

The fitting and mold will be unchanged mechanically during the test.

The antenna shall satisfy the electrical data

9. HUMIDITY

Condition : 95% / +70℃

Measuring method

Antenna is placed in climatic chamber for 72 hours.

Antenna is taken out from the chamber and measured

after another 24 hours in room temperature

Demands : No visual and mechanical changes.

The fitting and mold will be unchanged mechanically during the test.

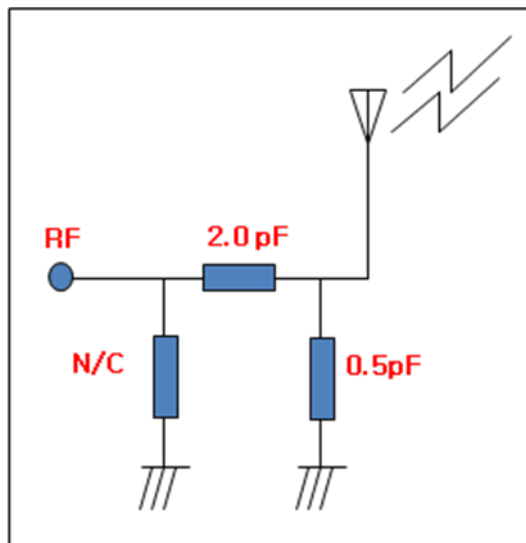
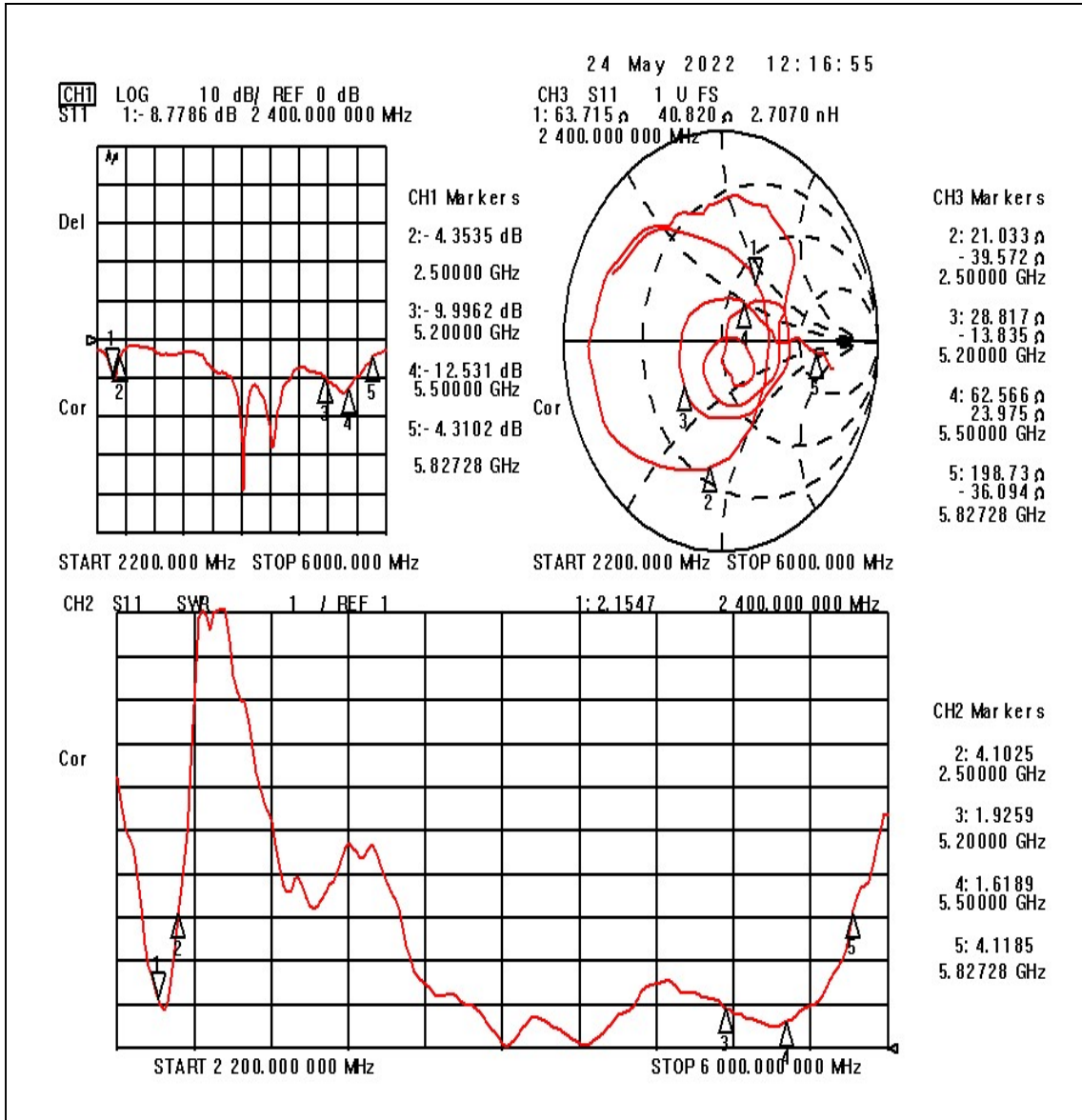
The antenna shall satisfy the electrical data.

10. TEST and Q/C

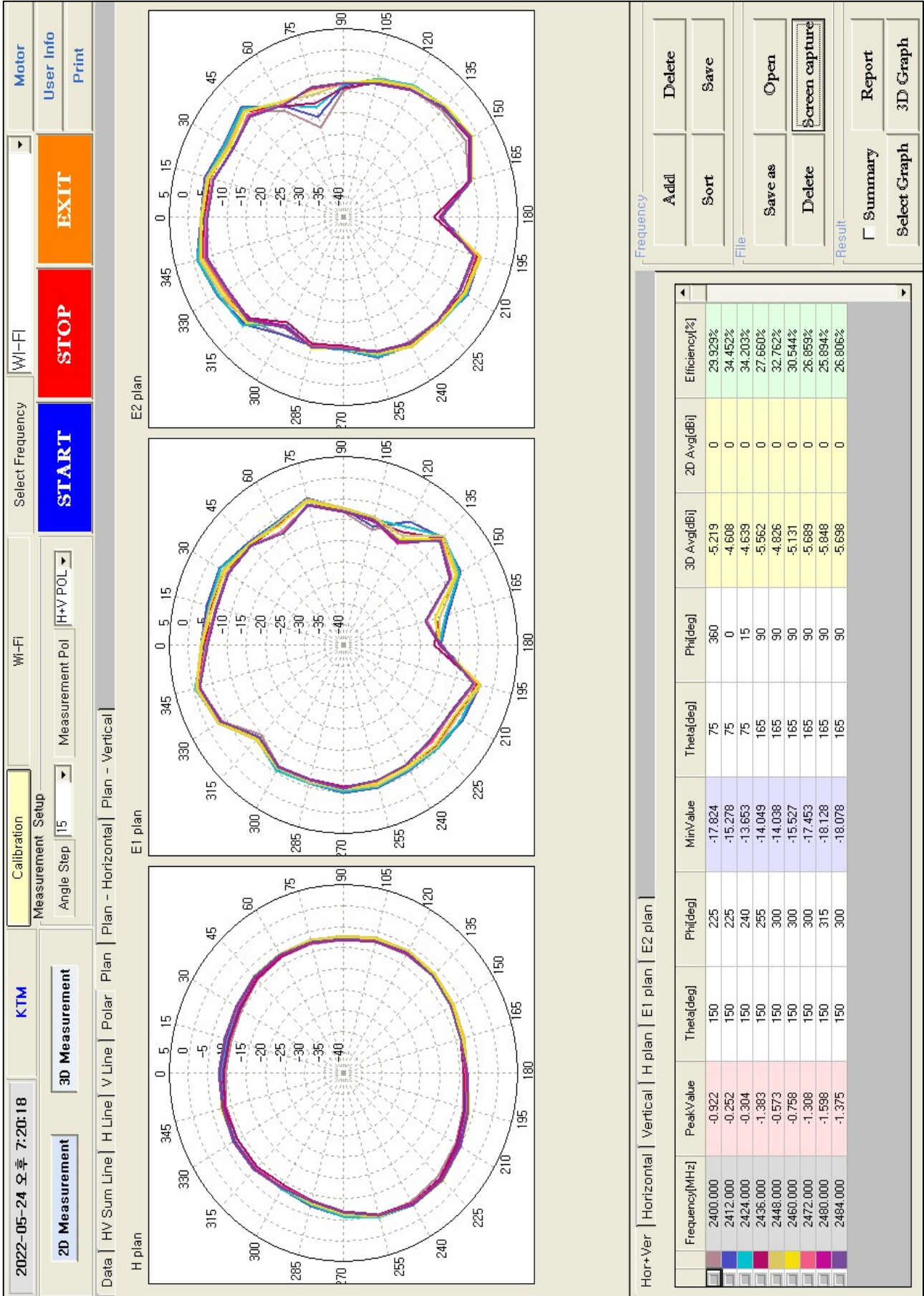
This specification is according to fixed demands and suitable Hanwool technology Q/C provision.

But it is possible to skip No. 7~9 demands, after consultation with buyer.

- #1. Attached : VSWR + Matching Value



- #2. Attached : RADIATION PATTERN(GAIN)_WIFI 2.4GHz/BT



- #3. Attached : RADIATION PATTERN(GAIN)_ WIFI 5GHz

