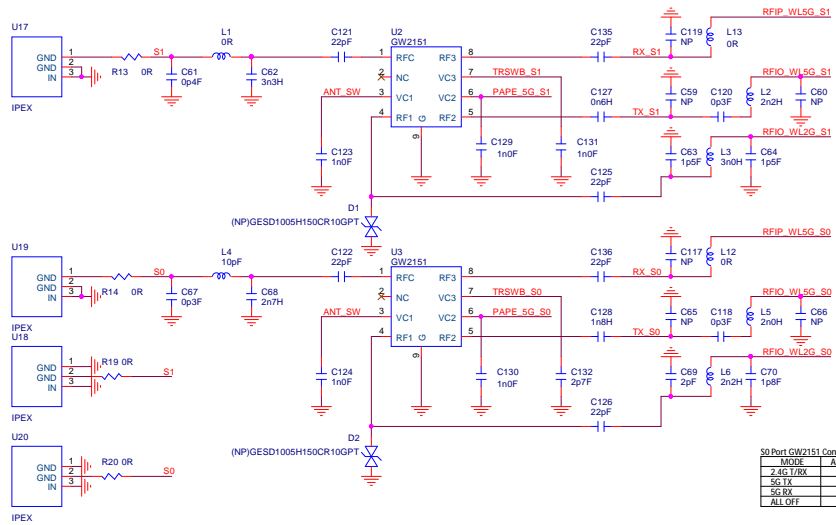


RF

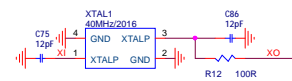
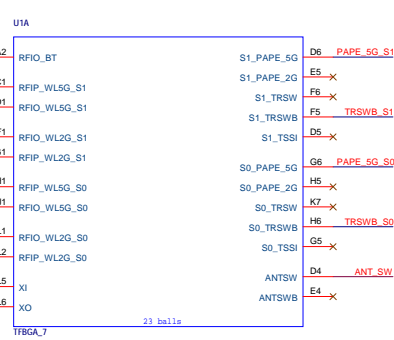


50 Part GW2151 Control Logic

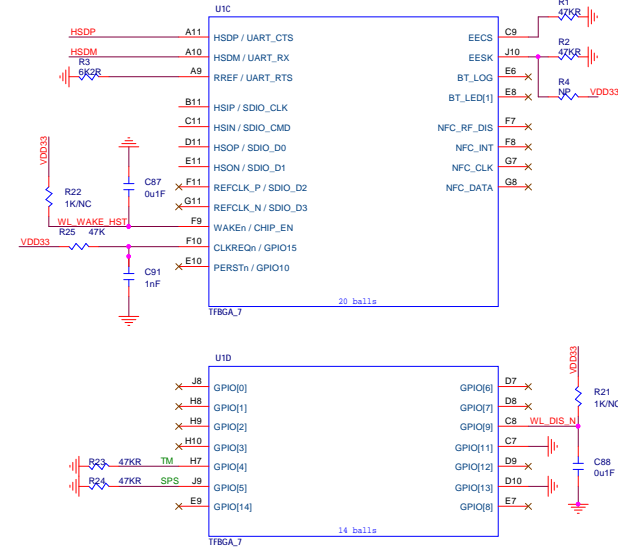
MODE	ANT_SW	PAPE_SG_S0	TRSWB_S0
2.4G TXRX	0	1	0
5G TX	0	1	0
5G RX	0	0	1
ALL OFF	0	0	0

31 Part GW2151 Control Logic

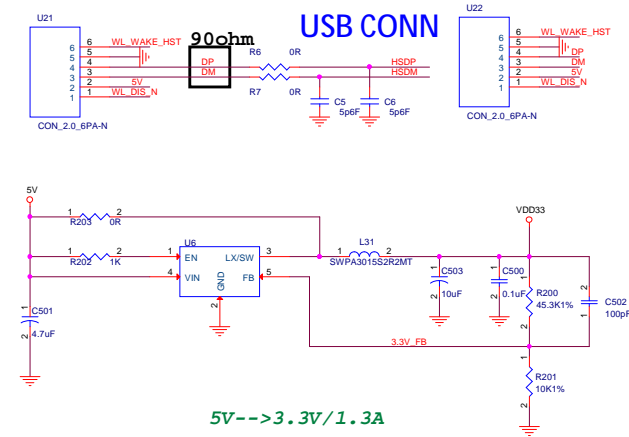
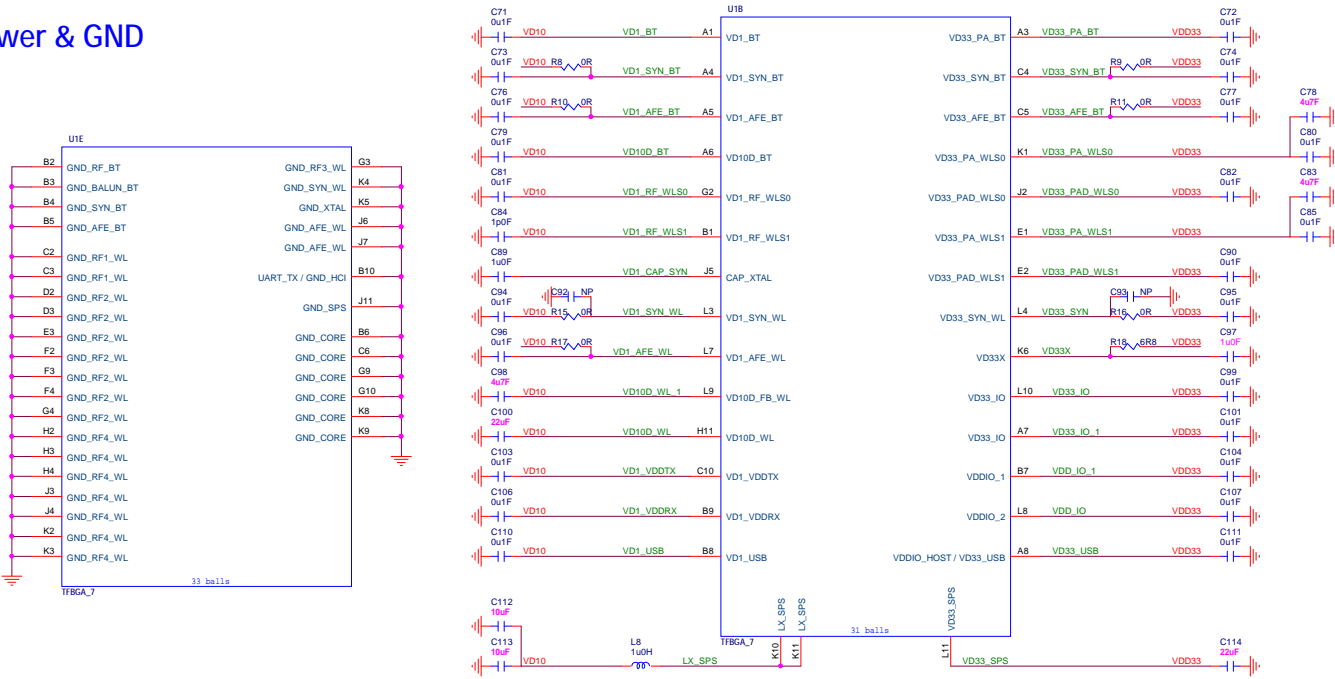
MODE	ANT_SW	PAPE_SG_S1	TRSWB_S1
2.4G TXRX	0	0	0
5G TX	0	1	0
5G RX	0	0	1
ALL OFF	0	0	0



Interface & GPIO



Power & GND



5V-->3.3V/1.3A

Title			UD812B00
Size	Document Number	UD812B00	
Quantity	Date	Thursday, October 27, 2016	Sheet 1 of 1
Rev			2/4