

3. Application Diagrams

3.1. 11ac Dual-Band 2x2 RF Application

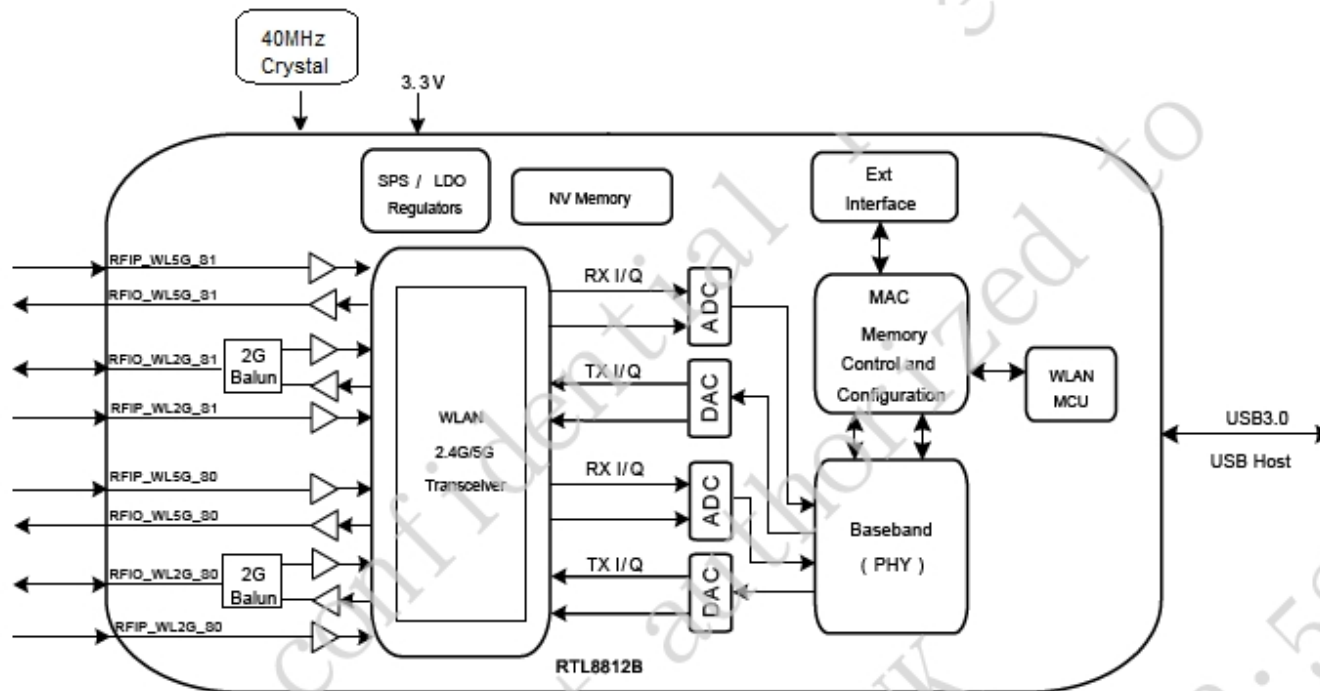


Figure 1. Dual-Band MIMO 2x2 Solution --- RTL8812BU-CG