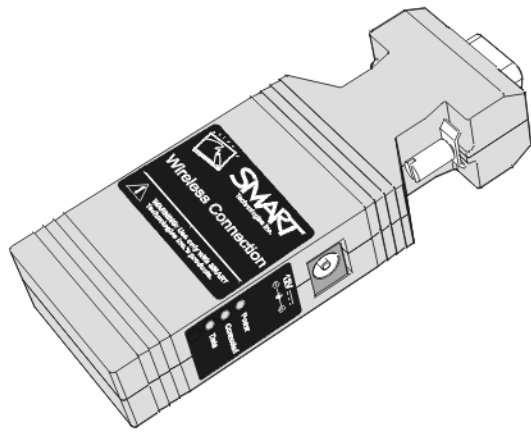
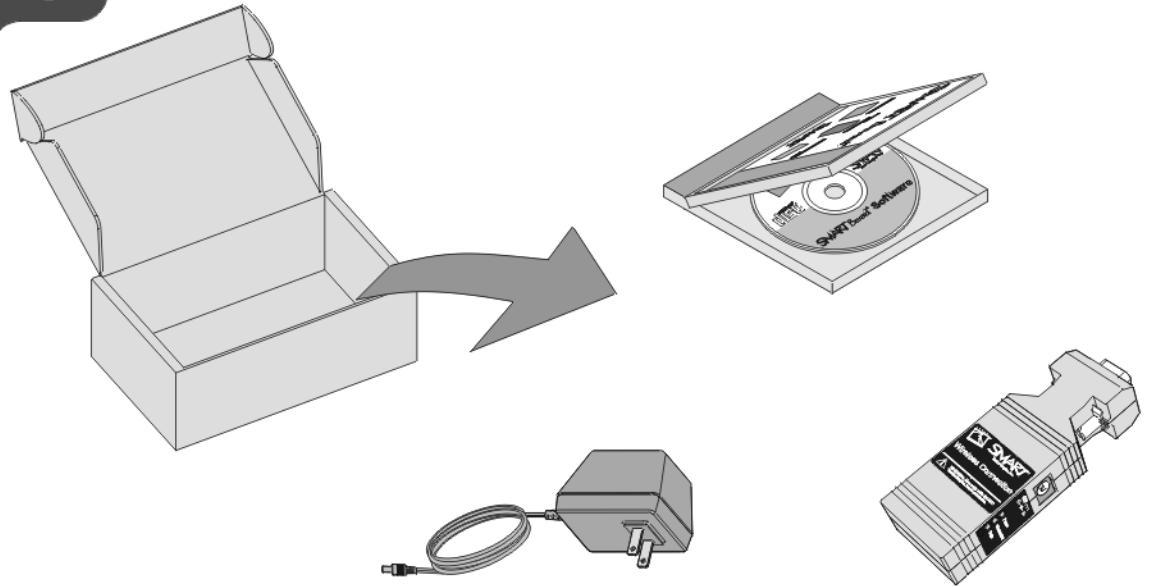


# SMART

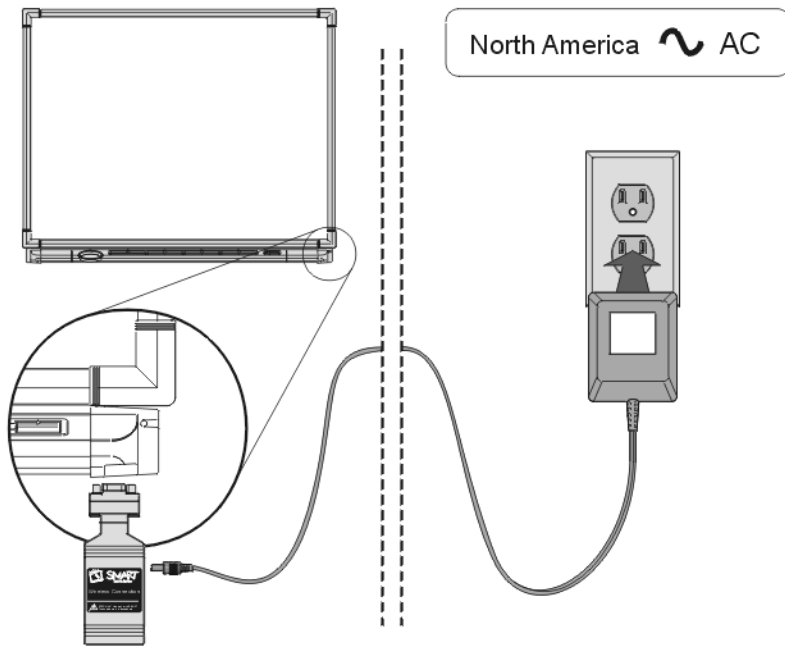
Technologies Inc.



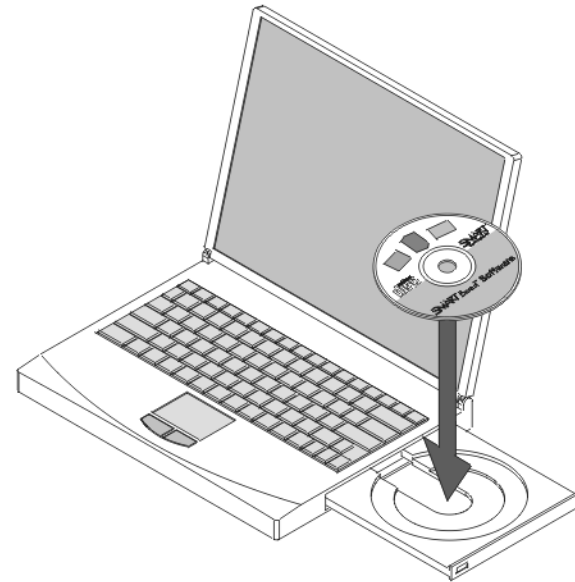
1



2



3



This device complies with Part 15 of the FCC Rules. Operation is subject to the following two conditions:  
(1) this device may not cause harmful interference.  
(2) this device must accept any interference received, including interference that may cause undesired operation.