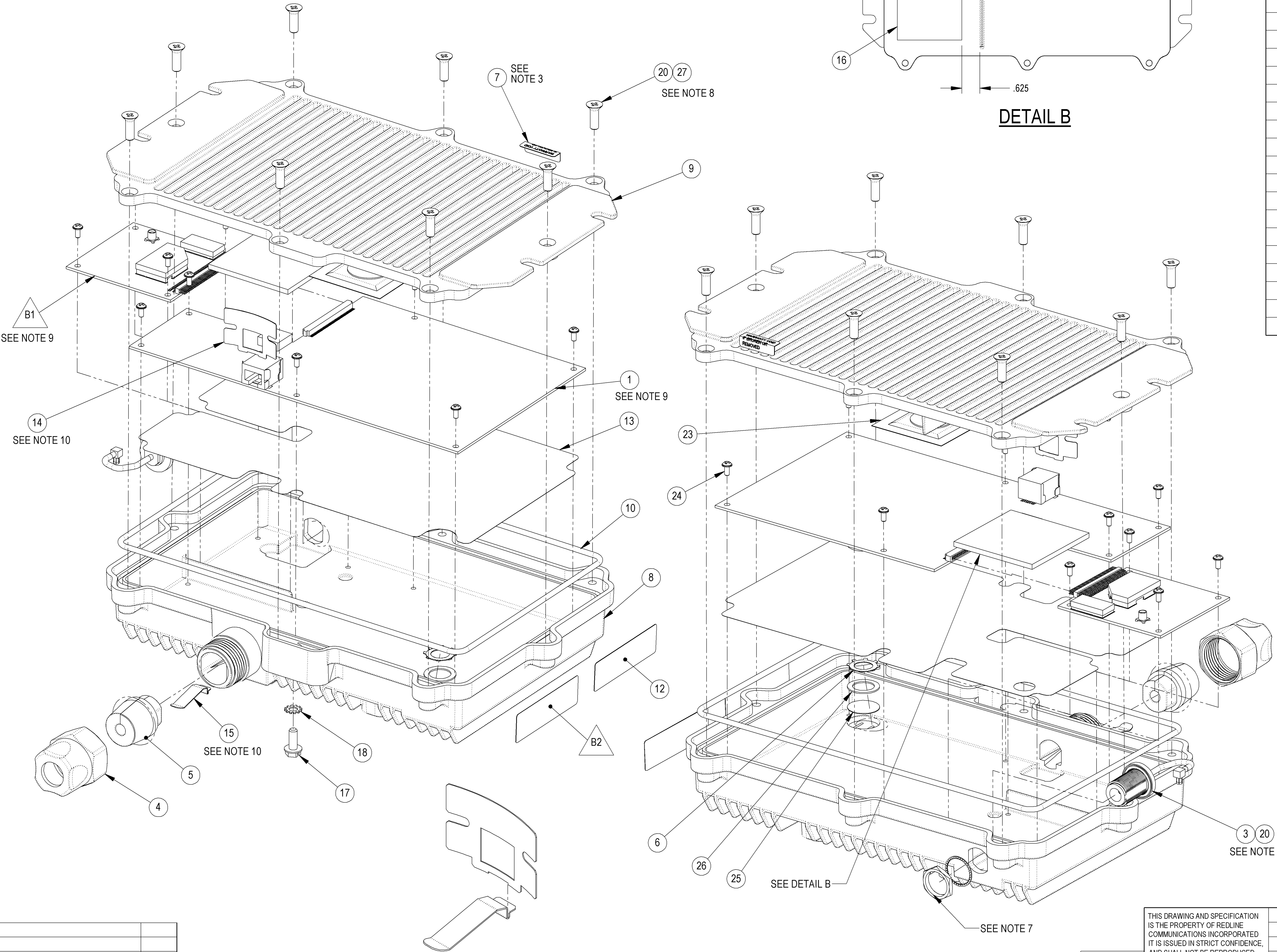


REV	DWG NO	MAXIMUM INTERNAL RADIUS - .016 BREAK EDGES .010 X 45° MAXIMUM DIM AND TOL APPLY BEFORE FINISH CONCENTRICITY - .008 TIR UNLESS OTHERWISE NOTED	SURFACE	HOLE	DIAMETER/ LINEAR DIMENSIONS	>.016 <.250	>.250 <1.00	>1.00 <5.00	>5.00 <12.00	>12.00 <36.00	>36.00 <72.00	RADIV/ CHAMFER DIMENSION	>.016 <.125	>.125 <.250	>.250 <1.00	>1.00 <5.00	>5.00 <12.00	ANGULAR SHORTEST SIDE DIM	>.016 <.500	>.500 <24.0	>24.0 <48.0	>48.0 <96.0
00	80-00210-03		63 32	TOLERANCE ±.003	TOLERANCE	±.003	±.005	±.008	±.010	±.016	±.125	TOLERANCE	±.005	±.010	±.016	±.063	±.125	TOLERANCE	±1°	±0.5°	±0.3°	±0.2°

SYMBOL CHART						
SYMBOL	COMPONENTS	ITEM	PART NUMBER	BILL OF MATERIALS AND QUANTITIES		
				AN-80i58	AN-80i 54 PROTO A	AN-80i54 PROTO B
			23-00008-01	23-00008-04	23-00008-05	
B1	PCA ASSY, AN-80i RF	2	32-00003-01 32-00003-02 32-00003-03	1 1 1	1 1 1	1 1 1
B2	LABEL, PRINT ON DEMAND	11	50-00525-00 50-00525-02	1 1	1 1	1 1



PARTS LIST

ITEM	QTY.	PART NO.	DESCRIPTION	NOTES
1	1	32-00002-01	ASSEMBLY, PCA, AN-80i DIGITAL, RoHS	
2		SEE CHART	ASSEMBLY, PCA, AN-80i RF5.X, RoHS	
3	1	30-00253-00	CABLE ASSY, N TYPE TO RA MCX, 2.7" O.A.L.	
4	1	50-00426-01	NUT, CABLE GLAND, MOULDED, AN-80i	HAND TIGHT
5	1	50-00427-02	SEAL, CABLE GLAND, MOULDED, AN-80i	
6	1	50-00453-00	RETAINING WASHER, 3/4 OD X .016 THK., SSSL.	
7	1	50-00454-00	LABEL, TAMPER SEAL	
8	1	50-00516-00	HOUSING, DIE CAST, AN-80i	
9	1	50-00518-00	COVER, DIE CAST, AN-80i	
10	1	50-00520-01	GASKET, MOULDED, AN-80i	
11		SEE CHART	LABEL, PRODUCT ID, PRINT ON DEMAND, AN-80i5X	
12	1	50-00525-01	LABEL, COMPLIANCE, AN-80i	
13	1	50-00555-01	INSULATOR, POLYESTER FILM, AN-80i	
14	1	50-00567-00	SHIELD, RJ CONNECTOR, AN-80i	
15	1	50-00580-00	CLIP, RJ CABLE REMOVAL	
16	1	50-00583-00	PAD, EMI ABSORBER, 2.25 X 2.25	
17	1	60-00022-00	SCREW, 10-32 X 1/2, HEX., WASHER SLOT, GREEN ZINC	HAND TIGHT
18	1	60-00092-00	LOCKWASHER, #10, EXTERNAL TOOTH, S.S.	
19	1	60-00155-00	POLY BAG, REDLINE 6.5" X 13.5" X 2 MIL	NOT SHOWN
20	AS REQD	60-00163-00	ADHESIVE, THREAD LOCKER 222MS	NOT SHOWN
21	2"	60-00174-00	TAPE, 48 MM WIDE X 411 M CLEAR	NOT SHOWN
22	1	60-00205-00	DESICCANT PACK, 3" X 3-1/2" X 1/4"	NOT SHOWN
23	1	60-00211-00	HUMIDISORB PACKET, 2 X 2	
24	10	60-00224-00	SCREW, 4-40 X 1/4, PPHMS, INTERNAL SEMS, SSSL.	6 in-lb TORQUE
25	1	60-00248-00	MEMBRANE, PRESSURE VENT, ADHESIVE TYPE	
26	1	60-00249-00	WASHER, 3/4 OD X 3/8 ID X .032 THK. BUNA-N	
27	8	60-00271-00	SCREW, 10-32 X 5/8, PPHMS, 82°, SSSL.	20 in-lb TORQUE

NOTES:

- UNLESS OTHERWISE SPECIFIED
- BOTH VIEWS CONTAIN THE SAME PARTS. EACH PART IS IDENTIFIED IN EITHER ONE OF THE VIEWS.
- FOR TORQUE VALUES FOR FASTENERS, UNLESS OTHERWISE SPECIFIED, REFER TO CHART.
- FOLD ITEM 7 AS SHOWN SO THAT IT INTERSECTS THE HOUSING AND COVER.
- INSTALL ITEM 23 BY PEELING OFF BACKING OF PSA, AND PRESS FIRMLY INTO CENTRAL POSITION OF THE UNDERSIDE OF ITEM 9 AS SHOWN.
- INSTALL ITEM 25 INTO HOUSING CAVITY AS PER W.L. GORE INSTRUCTIONS FOR INSTALLING ADHESIVE VENTS.
- INSTALL ITEM 26 AND PRESS ITEM 6 UNTIL ITEM 6 HAS BOTTOMED OUT ONTO ITEM 26. CARE MUST BE GIVEN NOT TO DAMAGE ITEM 25 DURING INSTALLATION OF ITEMS 6 AND 26.
- ITEM 3 COMES WITH THE LOCKWASHER AND NUT. INSERT CONNECTOR THROUGH HOUSING. APPLY ONE (1) TO TWO (2) DROPS OF ITEM 20 ONTO THREADS OF CONNECTOR, AND INSERT LOCKWASHER AND NUT. FASTEN NUT TO A TORQUE VALUE OF 15 IN-LB. FORM CABLE AS SHOWN, AND PUSH ON THE SECOND CONNECTOR TO PCA CONNECTOR.
- APPLY ONE (1) TO TWO (2) DROPS OF ITEM 20 ONTO THREADS OF ITEM 27 PRIOR TO ASSEMBLY.
- NO SOLDER WICKING ALLOWED TO THE BOTTOM SIDE OF ITEM 1 AND ITEM 2.
- ITEM 14 MUST BE ASSEMBLED INTO ITEM 15 AS SHOWN IN DETAIL A. ITEM 15 IS FED THROUGH GLAND OPENING, AND ITEM 14 IS BROUGHT DOWN ON TOP OF ITEM 15. THIS IS DONE AFTER THE ASSEMBLY OF ITEM 1.
- UPON COMPLETION OF THE ASSEMBLY, INSERT ASSEMBLED UNIT INTO ITEM 19. PLACE ONE (1) OF ITEM 22 INTO PACKAGE AND SEAL WITH PIECE OF ITEM 21.

00	ISSUE	07/07/06
REV	DESCRIPTION	DATE

THIS DRAWING AND SPECIFICATION IS THE PROPERTY OF REDLINE COMMUNICATIONS INCORPORATED. IT IS ISSUED IN STRICT CONFIDENCE, AND SHALL NOT BE REPRODUCED, OR COPIED OR USED AS THE BASIS FOR THE MANUFACTURE OR SALE OF APPARATUS WITHOUT PRIOR WRITTEN PERMISSION.

MATERIAL	SEE CHART	DRAWN	D.P.	DATE	06/29/06
FINISH	N/A	CHECKED		DATE	
		PROJ ENGR		DATE	
		APPROVED		DATE	
QTY	USED ON	DO NOT SCALE DRAWING	SHEET 1 OF 1	SCALE	3:4

Redline communications 332 TOWN CENTER BLVD., SUITE 100, MARKHAM, ONTARIO, CANADA L3R 0E8

TITLE: ASSEMBLY, AN-80i, DIE CAST HOUSING, GENERIC INTEGRATED RADIO, RoHS

SIZE: D DWG NO: 80-00210-03 REV: 00