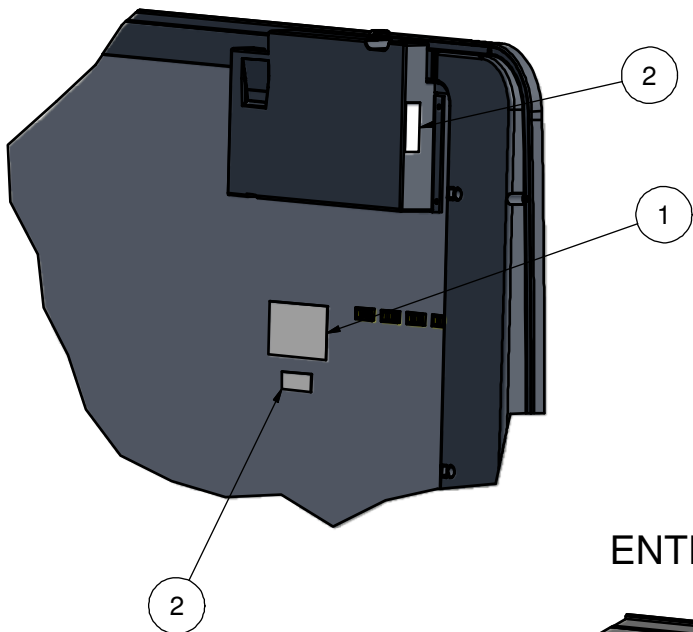


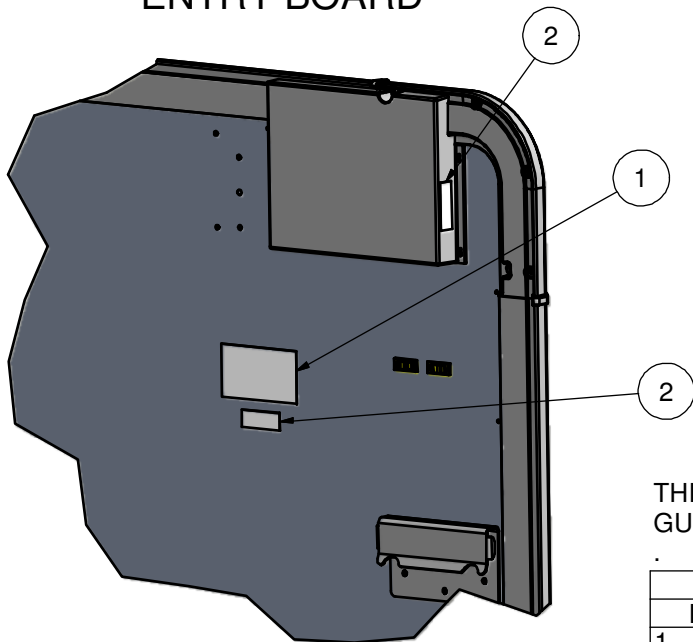
THIS COMPONENT MUST BE ROHS COMPLIANT

REV	DESCRIPTION	CR No.	DESIGNER	DATE
1	RELEASED	-	B. MALANEY	23/04/09

PREMIUM/STD BOARD



ENTRY BOARD



THIS DRAWING SHOULD BE USED AS A GUIDE FOR LOCATING LABELS

LABELS					
ITEM	QTY	DESCRIPTION			
1	1	COMPLIANCE LABEL			
2	2	SERIAL LABEL			
DO NOT SCALE DRAWING IF IN DOUBT ASK REMOVE ALL SHARP CORNERS			TOLERANCE UOS NTS		SHEET 1 of 1
SCALE NTS			PROJ 576	DRG. NO. 576 3024 S2 1	STATUS R
			CHECKED R Goodall 23/04/2009	APPROVED R Goodall 23/04/2009	REV 1

RELEASED

TITLE
LABEL LOCATION
DRAWING

MATERIAL
SEE PARTS

FINISH
SEE PARTS

PROMETHEAN LTD
Promethean House Lower Philips Road
Blackburn Lancs BB1 5TH
Tel 01254 290151
Fax 01254 290161