



# ActivPanel 9

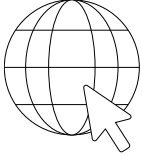
Quick Install Guide

TP-3165 ActivPanel 9 Wi-Fi and Bluetooth Module

V01

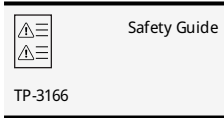
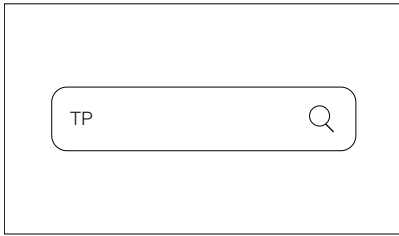


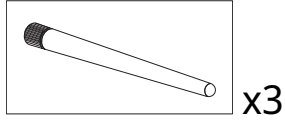
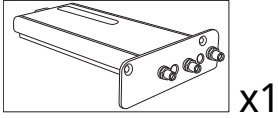
1



<https://support.prometheanworld.com>

2

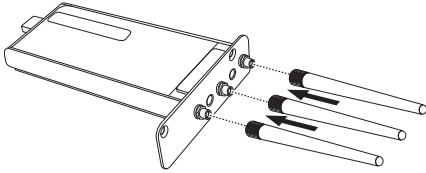




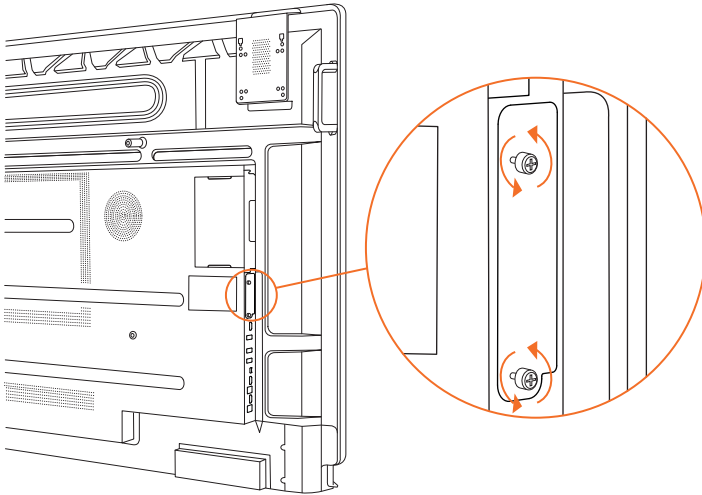
TP-3165



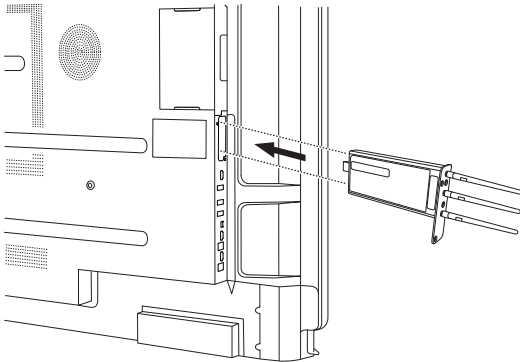
1



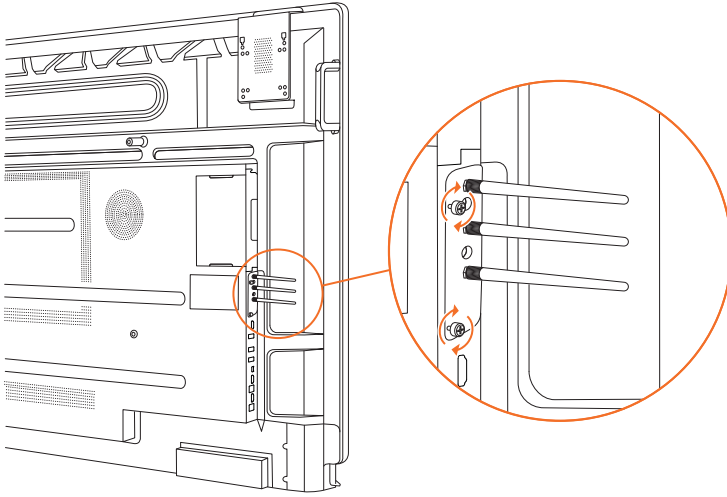
2



3



4





AP9-WIFIBT-AB

## EN English

### Copyright information

TP-3165-EN-V01 ©2022 Promethean Limited. All rights reserved.

All software, resources, drivers and documentation supplied in the Promethean ActivInspire download are copyright Promethean Limited 2022. Promethean grants a license to install and use Promethean ActivInspire software, including any resources, drivers and documentation supplied in the download. Refer to the licence agreement for information about the terms and conditions of this licence.

Promethean is owner of a number of trademarks in several jurisdictions across the world. The Promethean products documented in this guide include aspects which are protected under their respective patent, copyright, design copyright, registered design and trademark laws.



The terms HDMI, HDMI High-Definition Multimedia Interface, and the HDMI Logo are trademarks or registered trademarks of HDMI Licensing Administrator, Inc.

VESA is a registered mark of Video Electronics Standards Association.

Apple is a trademark or registered trademark of Apple, Inc. in the United States and other countries. Windows is a registered trademark or trademark of Microsoft Corporation in the United States and other countries. Linux is a registered trademark of Linus Torvalds in the United States and other countries.

All other trademarks remain the property of their respective owners.

This guide is distributed online. It may only be reproduced for use within the institution in which the product is used. For use outside of your institution, no part of this guide may be reproduced, transmitted, stored in a retrieval system or translated into any other language without the prior permission of Promethean Limited.

Please note that the content in this guide is protected under copyright law. Although every care has been taken in the compilation of this guide, Promethean Limited accepts no responsibility for errors or omissions, or for damages resulting from the use of information contained within this guide.

### Compliance

#### United States of America

##### *FCC part 15.105*

NOTE: This equipment has been tested and found to comply with the limits for a Class B digital device, pursuant to part 15 of the FCC Rules. These limits are designed to provide reasonable protection against harmful interference in a residential installation.

This equipment generates, uses and can radiate radio frequency energy and, if not installed and used in accordance with the instructions, may cause harmful interference to radio communications. However, there is no guarantee that interference will not occur in a particular installation. If this equipment does cause harmful interference to radio or television reception, which can be determined by turning the equipment off and on, the user is encouraged to try to correct the interference by one or more of the following measures:

- Reorient or relocate the receiving antenna.
- Increase the separation between the equipment and receiver.
- Connect the equipment into an outlet on a circuit different from that to which the receiver is connected.
- Consult the dealer or an experienced radio/TV technician for help.

### *FCC part 15.19*

This device complies with part 15 of the FCC Rules. Operation is subject to the following two conditions: (1) This device may not cause harmful interference, and (2) this device must accept any interference received, including interference that may cause undesired operation.

### *FCC part 15.21*

Changes or modifications not expressly approved by the party responsible for compliance could void the user's authority to operate the equipment.

### *FCC part 15.407*

The device for operation in the band 5150–5250 MHz is only for indoor use to reduce the potential for harmful interference to co-channel mobile satellite systems.

### *FCC Part 407*

The device shall automatically discontinue transmission in cases of absence of information to transmit, or operational failure. Then it will scan the available radio signals. If this signal is connected before, it will be automatically connected, otherwise manual connections will be necessary.

The end product must carry a label stating "Contains FCC ID: QAM-AP9-WIFIBT-AB".

### *Limited Modular Approval*

The devices must be installed and used in strict accordance with the manufacturer's instructions as described in the user documentation that comes with the product.

The module must be installed in an ActivPanel.

In the event that these conditions cannot be met (for example certain laptop configurations or co-location with another transmitter), then the FCC authorization is no longer considered valid and the FCC ID cannot be used on the final product. In these circumstances, the OEM integrator will be responsible for re-evaluating the end product (including the transmitter) and obtaining a separate FCC authorization.

FCC ID: QAM-AP9-WIFIBT-AB.

This device complies with FCC part 15C: 15.247 and 15.407.

This device and its antenna(s) must not be co-located or operating in conjunction with any other antenna or transmitter. The module should be installed at a minimum distance of 20 cm away from a person nearby. The host product manufacturer should state this information to the host instruction manual.

Trace antenna designs - not applicable.

This modular complies with FCC RF radiation exposure limits set for an uncontrolled environment. This transmitter must not be co-located or operating in conjunction with any other antenna or transmitter. This modular must be installed and operated with a minimum distance of 20 cm between the radiator and the user's body.

Any final host product with the modular transmitter installed should be under test according to guidance given in KDB 996369 D04. To enter test mode for module, secure CRT command is necessary. When something wrong happens in configuring test modes for host product with module, host product manufacturer should coordinate with module manufacturer for technical support. It is recommended that some investigative measurements should be taken to confirm that host product with module installed does not exceed the spurious emissions limits or band edge limits.

The modular complies with FCC authorised for the specific rule parts (FCC Part 15.2477 and 15.407) list on the grant, and that the host product manufacturer is responsible for compliance to any other FCC rules that apply to the host not covered by the modular transmitter grant of certification. The final host product still requires Part 15 subpart B compliance testing with the modular transmitter installed when contains digital circuitry.

Model name: ActivPanel 9 Wi-Fi and Bluetooth Module

Product description: 2.4 GHz and 5 GHz Wi-Fi and Bluetooth Module

Antenna type	Antenna gain
External Antenna	WLAN 2412 MHz to 2472 MHz: Max gain: 3.9 dBi WLAN 5150 MHz to 5250 MHz: Max gain: 5.3 dBi WLAN 5250 MHz to 5350 MHz: Max gain: 4.4 dBi WLAN 5470 MHz to 5725 MHz: Max gain: 3 dBi WLAN 5725 MHz to 5850 MHz: Max gain: 3.2 dBi

### *Frequency Bands and Power*

Frequency band	Power (dBm)
Bluetooth 2402 to 2480 MHz	<20
WLAN 2412 MHz to 2472 MHz	<20
WLAN 5150 MHz to 5250 MHz	<23
WLAN 5250 MHz to 5350 MHz	<20
WLAN 5470 MHz to 5725 MHz	<20
WLAN 5725 MHz to 5850 MHz	<14

Manufacturer's name and address: Promethean Limited

Promethean House, Whitebirk Industrial Estate, Lower Philips Rd, Blackburn BB1 5TH.

### **Canada**

This device contains licence-exempt transmitter(s)/receiver(s) that comply with Innovation, Science and Economic Development Canada's licence-exempt RSS(s). Operation is subject to the following two conditions:

1. This device may not cause interference.
2. This device must accept any interference, including interference that may cause undesired operation of the device.



The device for operation in the band 5150–5250 MHz is only for indoor use to reduce the potential for harmful interference to co-channel mobile satellite systems.

Changes or modifications not expressly approved by the party responsible for compliance could void the user's authority to operate the equipment.

The end product must carry a label stating "Contains IC: 5459A-AP9WIFIBTAB".

IC: 5459A-AP9WIFIBTAB

This radio transmitter (IC: 5459A-AP9WIFIBTAB) has been approved by Industry Canada to operate with the antenna types listed below with the maximum permissible gain indicated. Antenna types not included in this list, having a gain greater than the maximum gain indicated for that type, are strictly prohibited for use with this device.

### *Frequency Bands and Power*

<b>Frequency band</b>	<b>Power (dBm)</b>
Bluetooth 2402 to 2480 MHz	<20
WLAN 2412 MHz to 2472 MHz	<20
WLAN 5150 MHz to 5250 MHz	<23
WLAN 5250 MHz to 5350 MHz	<20
WLAN 5470 MHz to 5725 MHz	<20
WLAN 5725 MHz to 5850 MHz	<14

L'émetteur/récepteur exempt de licence contenu dans le présent appareil est conforme aux CNR d'Innovation, Sciences et Développement économique Canada applicables aux appareils radio exempts de licence. L'exploitation est autorisée aux deux conditions suivantes :

1. L'appareil ne doit pas produire de brouillage;
2. L'appareil doit accepter tout brouillage radioélectrique subi, même si le brouillage est susceptible d'en compromettre le fonctionnement.

Cet appareil, conçu pour fonctionner dans la bande 5150 – 5250 MHz, est destiné uniquement à une utilisation intérieure afin de réduire les interférences néfastes qui pourraient perturber les systèmes satellites mobiles utilisant les canaux adjacents.

Toute modification ou amélioration qui n'a pas été explicitement approuvée par la partie responsable de la conformité peut annuler le droit de l'utilisateur à faire fonctionner l'appareil.

IC: 5459A-AP9WIFIBTAB

Le produit final doit comporter une étiquette mentionnant « Contient IC: 5459A-AP9WIFIBTAB ».

Cet émetteur radio (IC: 5459A-AP9WIFIBTAB) a été approuvé par Industry Canada pour fonctionner avec les types d'antennes listés ci-dessous et avec le gain maximum admissible mentionné. L'utilisation de types d'antennes non mentionnés dans cette liste, ayant un gain supérieur au gain maximum indiqué pour le type donné, est strictement interdite avec cet appareil.

## Frequency Bands and Power

Frequency band	Power (dBm)
Bluetooth 2402 to 2480 MHz	<20
WLAN 2412 MHz to 2472 MHz	<20
WLAN 5150 MHz to 5250 MHz	<23
WLAN 5250 MHz to 5350 MHz	<20
WLAN 5470 MHz to 5725 MHz	<20
WLAN 5725 MHz to 5850 MHz	<14

Manufacturer's name and address: Promethean Limited

Promethean House, Whitebirk Industrial Estate, Lower Philips Rd, Blackburn BB1 5TH.

## Europe



We Promethean Limited declare under our Sole responsibility that the ActivPanel 9 Wi-Fi and Bluetooth Module; Model No: AP9-WIFIBT-AB; conforms to the essential requirements of European Union Directive 2014/53/EU Radio Equipment Directive (RED) and 2011/65/EU Restriction of Hazardous Substances in Electrical and Electronic Equipment.

The full text of the EU declaration of conformity is available at the following internet address:

<https://support.prometheanworld.com>



### WARNING



AP9-WIFIBT-AB is Class B product. In a domestic environment, they may cause interference in which case the user may be required to take adequate measures.

AP9-WIFIBT-AB is for internal use only.



The device complies with RF specifications when the device is used at 20 cm from your body.

### *Frequency Bands and Power*

<b>Frequency band</b>	<b>Power (dBm)</b>
Bluetooth 2402 to 2480 MHz	<20
WLAN 2412 MHz to 2472 MHz	<20
WLAN 5150 MHz to 5250 MHz	<23
WLAN 5250 MHz to 5350 MHz	<20
WLAN 5470 MHz to 5725 MHz	<20
WLAN 5725 MHz to 5850 MHz	<14

Manufacturer's name and address: Promethean Limited

Promethean House, Whitebirk Industrial Estate, Lower Philips Rd, Blackburn BB1 5TH.

### **United Kingdom**



We Promethean Limited, declare under our sole responsibility that this product conforms to the essential requirements of UK Legislation: RED Radio Equipment Regulation 2017 – UK SI 2017 No. 1206, LVD The Electrical Equipment (Safety) Regulations 2016 – UK SI 2016 No. 1101, RoHS Restriction of the use of certain Hazardous Substances in Electrical and Electronic Regulations 2012 – UK SI 2012 No. 3032.

The full United Kingdom Declaration of Conformity can be found by searching for the model name at [support.prometheanworld.com](http://support.prometheanworld.com).

### *Frequency Bands and Power*

<b>Frequency band</b>	<b>Power (dBm)</b>
Bluetooth 2402 to 2480 MHz	<20
WLAN 2412 MHz to 2472 MHz	<20
WLAN 5150 MHz to 5250 MHz	<23
WLAN 5250 MHz to 5350 MHz	<20
WLAN 5470 MHz to 5725 MHz	<20
WLAN 5725 MHz to 5850 MHz	<14

---

**Antenna type    Antenna gain**

---

External Antenna    WLAN 2412 MHz to 2472 MHz: Max gain: 3.9 dBi  
                                  WLAN 5150 MHz to 5250 MHz: Max gain: 5.3 dBi  
                                  WLAN 5250 MHz to 5350 MHz: Max gain: 4.4 dBi  
                                  WLAN 5470 MHz to 5725 MHz: Max gain: 3 dBi  
                                  WLAN 5725 MHz to 5850 MHz: Max gain: 3.2 dBi

---

**WARNING**

AP9-WIFIBT-AB is Class B product. In a domestic environment, they may cause interference in which case the user may be required to take adequate measures.

AP9-WIFIBT-AB is for internal use only.



The device complies with RF specifications when the device is used at 20 cm from your body.

Manufacturer's name and address: Promethean Limited

Promethean House, Whitebirk Industrial Estate, Lower Philips Rd, Blackburn BB1 5TH.

**Waste Electrical and Electronic Equipment (WEEE)**

For more information concerning the correct disposal of these products, please contact your Promethean reseller.

**Russian importer details**

LLC «STARTTEH»

Address: 125315, Moscow, Leningradskiy prospect, 80KD, 3rd Floor, Apartment III, Room 32B.

Registration No.: 5137746235853.

INN/KPP: 7743911253/774301001

Rated power consumption: 12-19 V == 60 W

---

Model	Year of manufacture	Week of manufacture	Serial number
WFC	22	01	10000001

---



SN: WFC220110000001

