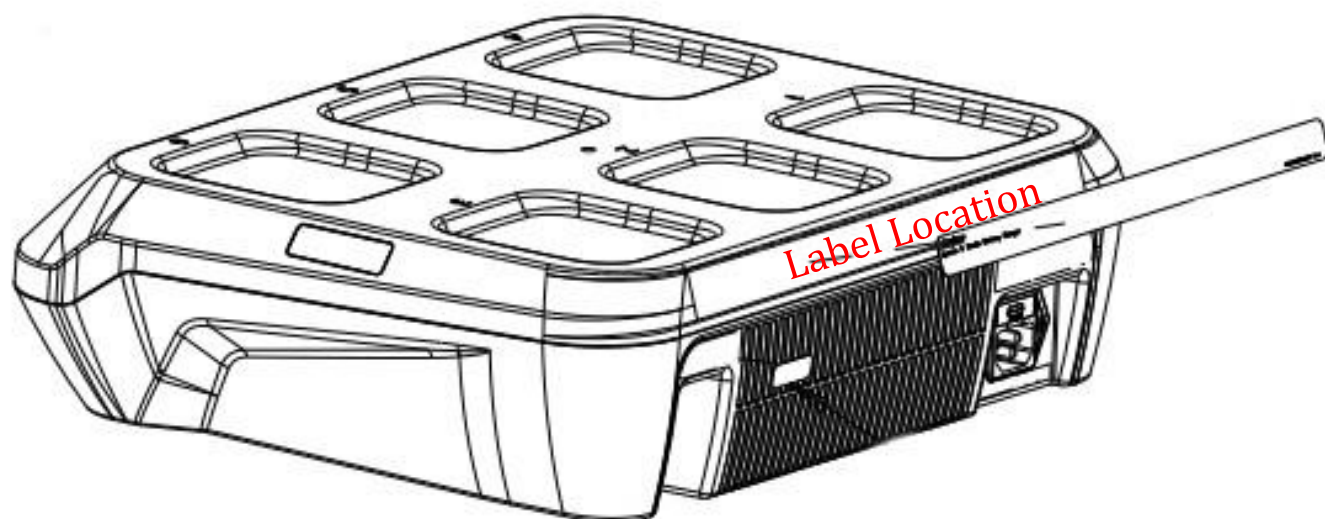


Date: 6/1/2022

Attn: FCC Office of Engineering and Technology / UL Verification Services TCB

Subject: FCC Label and Label Location

FCC ID: Q9R-9110120550



stryker REF 9110-120-000 SN AA0000000000 2022-01-17 MD R_x ONLY

System 9™ Sterile Battery Charger
Manufactured for: Stryker Instruments Assembled in USA
1941 Stryker Way, Portage, MI 49002 USA U.S. Patents: www.stryker.com/patents
(269) 323-7700 (800) 253-3210 700000534256 Rev-AA

Wireless Transmitter PCBA
FCC ID: Q9R-9110120550
IC: 4919A-9110120550

(01)07613327482720
(21)AA0000000000

UL CERTIFIED
E5174523

100-230V ~ 50/60Hz 3.35A
T 5A H, 250V
5.2 mm x 20 mm

