

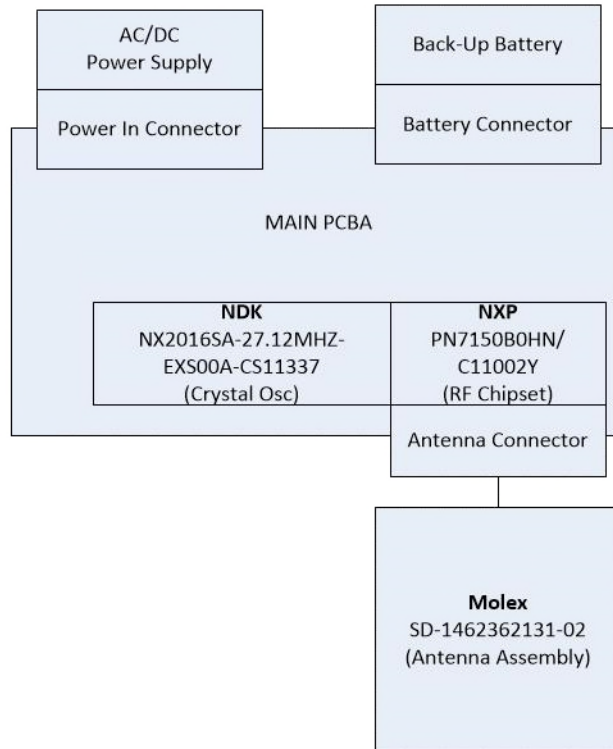
# Engineering Design Description

## 2 GENERAL DESCRIPTION

### 2.1 High-level Design Description

The RFID circuit is a single channel 13.56MHz transceiver that communicates with RFID tags in a SurgiCount®+ Reader. The entire RF circuit is on the Main PCBA of the SurgiCount®+ Console and outputs the RF signal through a connector to a single antenna. The micro, ST Micro STM32L071CBT6, handles all programming and configuration of the NFC controller.

### 2.2 Simplified System Block Diagram



\*Information accurate as of launch (or with version, if revised)