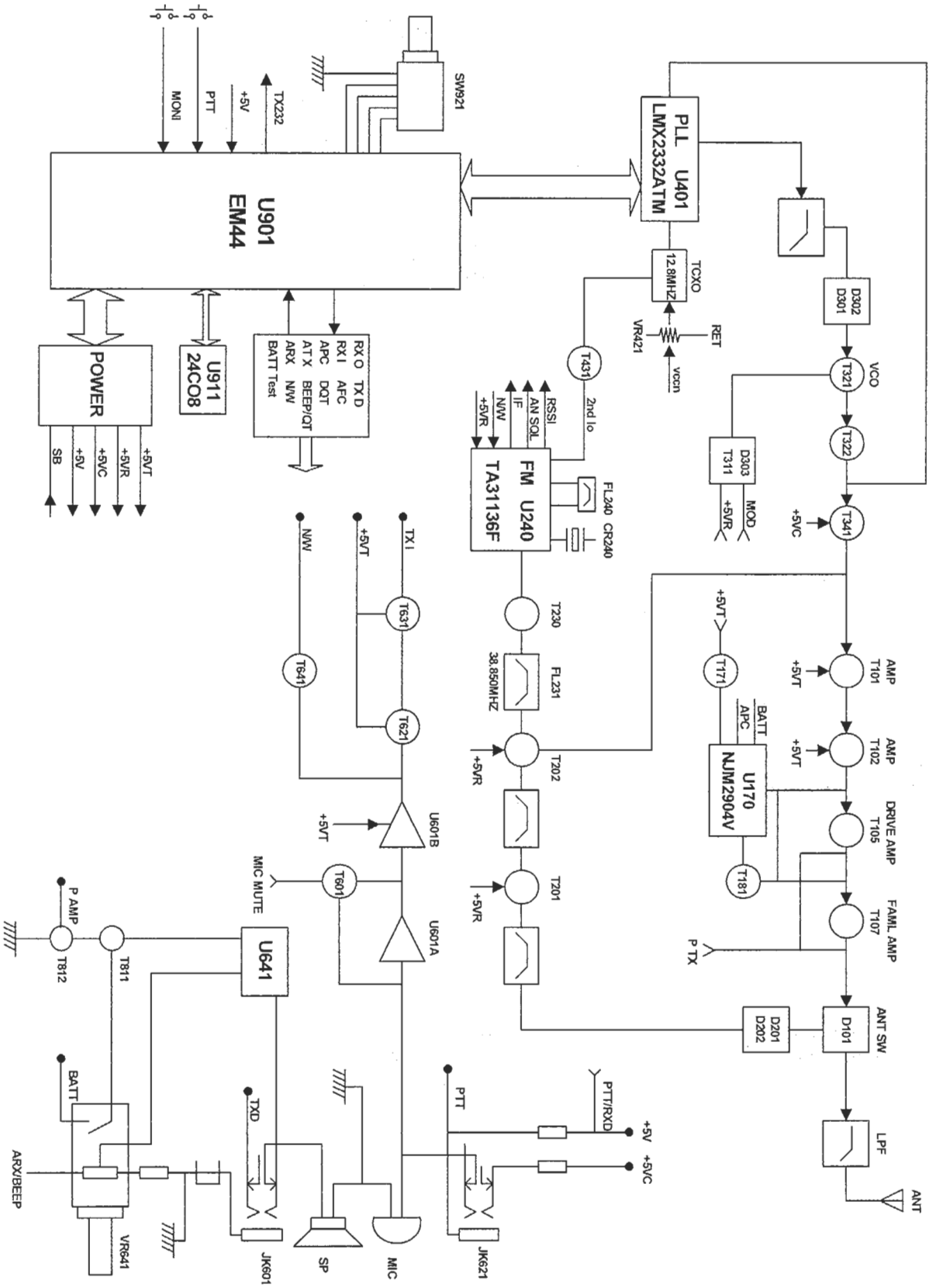
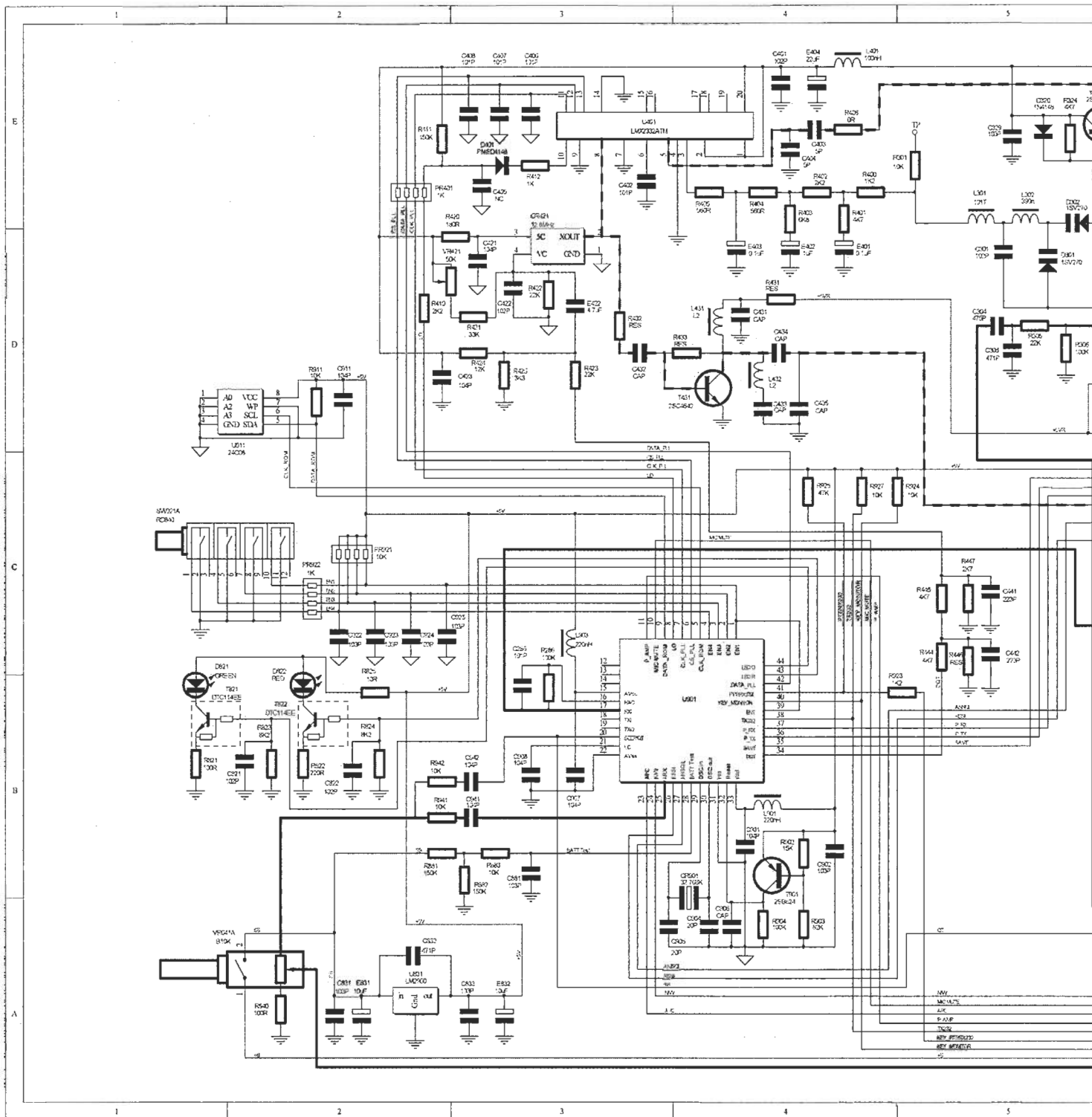
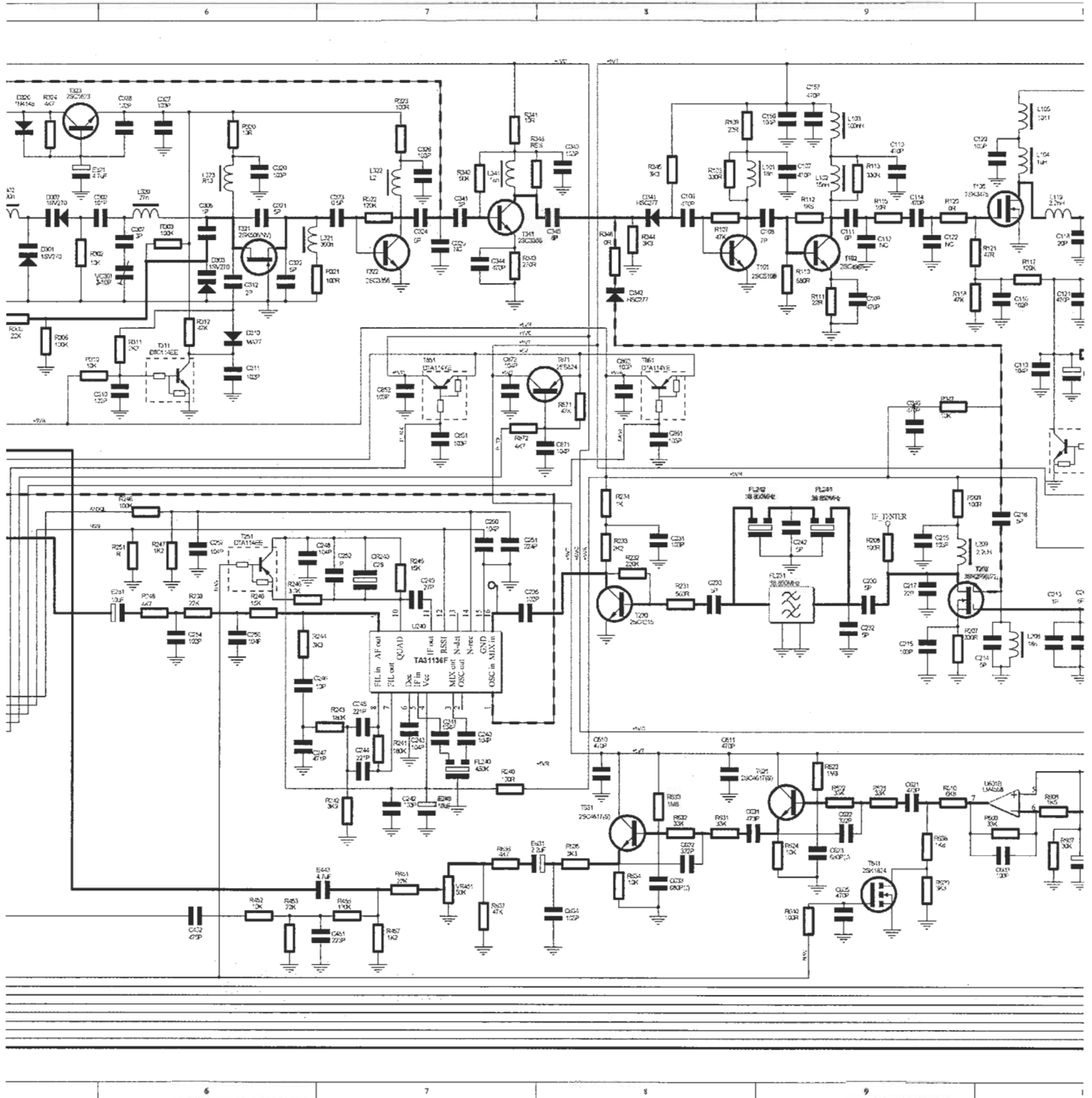
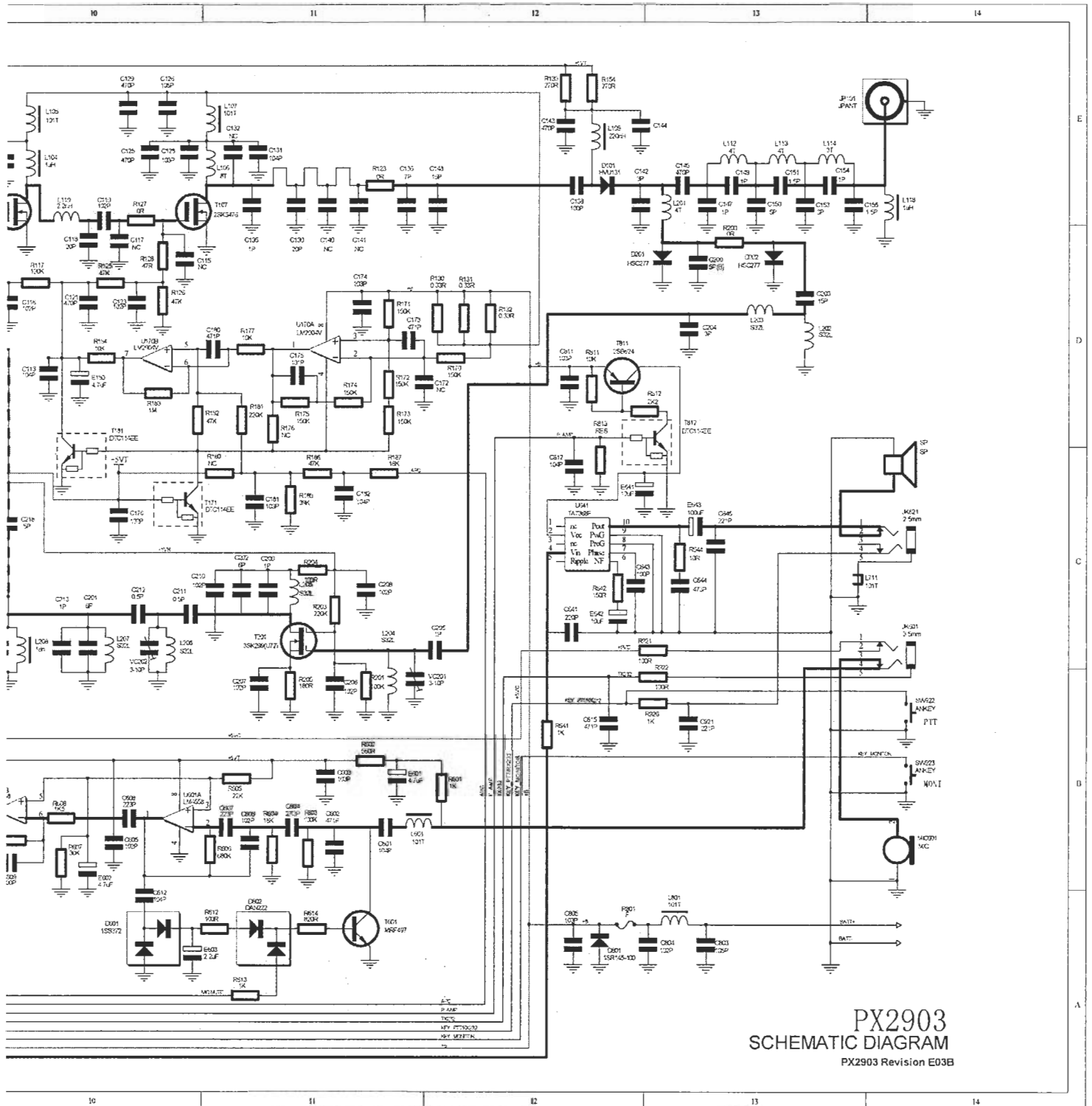


# Block diagram









PX2903  
SCHEMATIC DIAGRAM  
PX2903 Revision E03B