

JP811

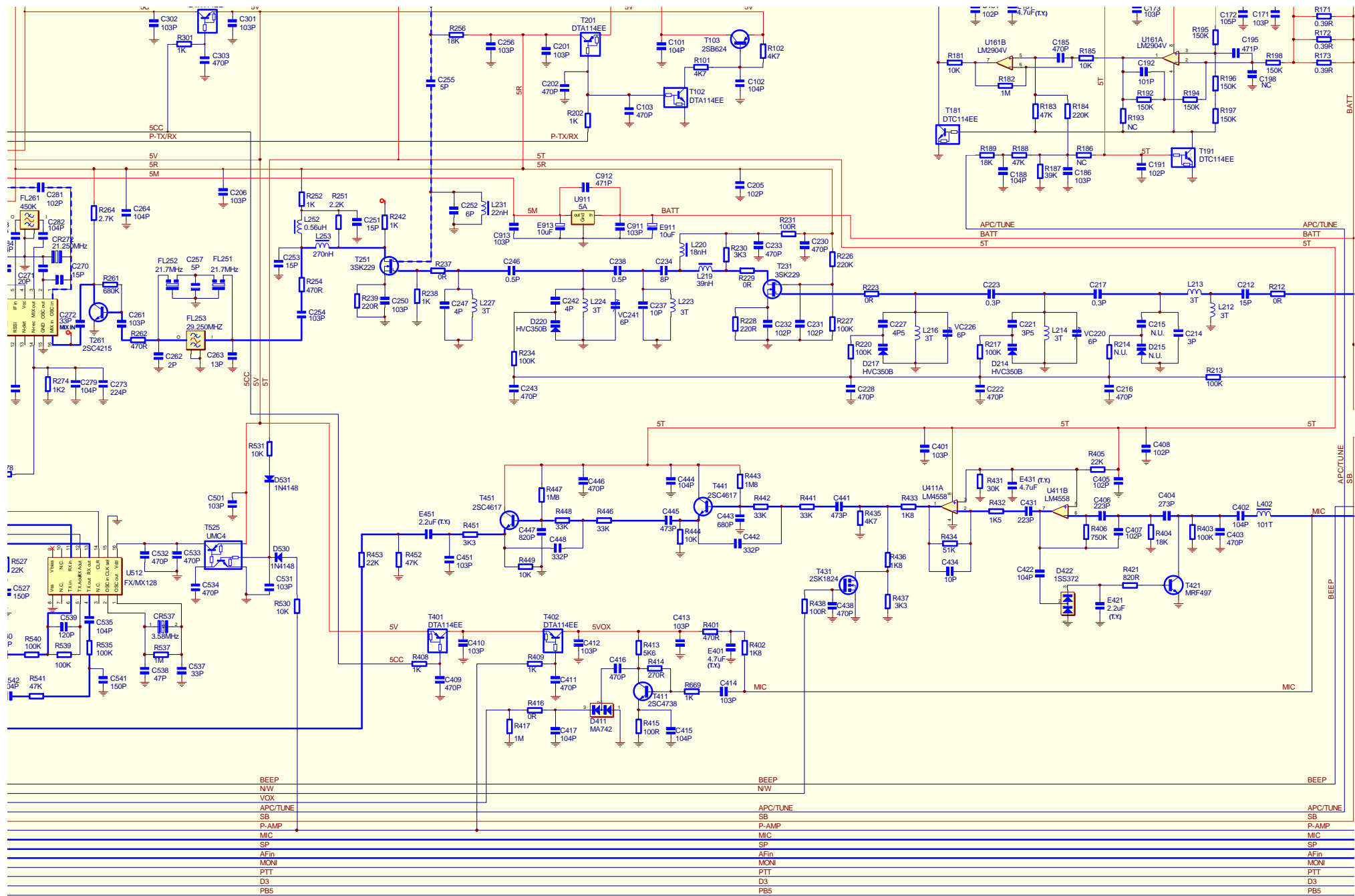
1	GND D
2	SB
3	PB1
4	SV
5	GND D
6	HT1621-CS
7	PB5
8	PB4
9	PB3
10	PC7
11	D3
12	D2
13	D1
14	D0
15	PC6
16	MIC+
17	SP+
18	JP18

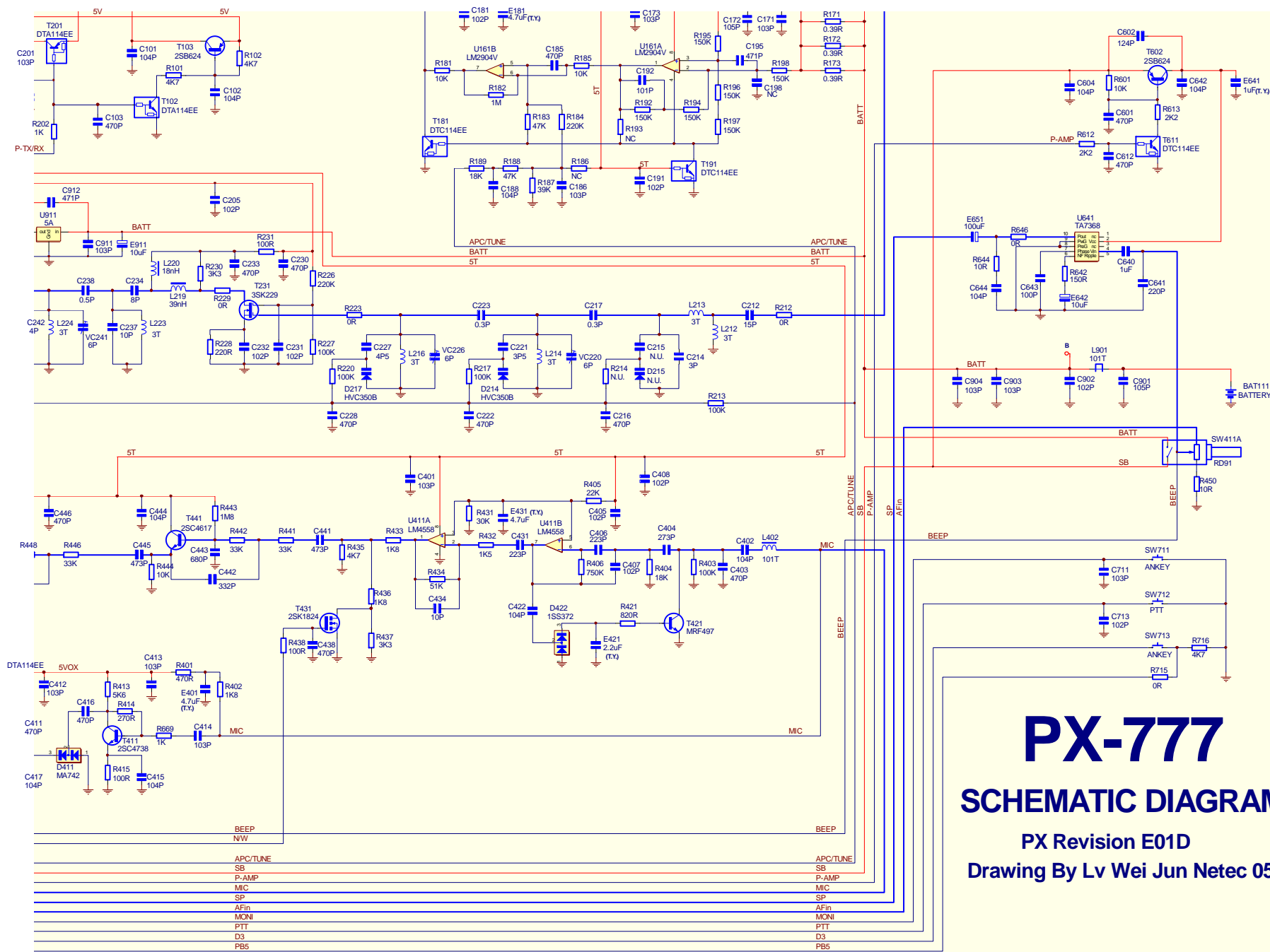
LAMP 1

LCD CS

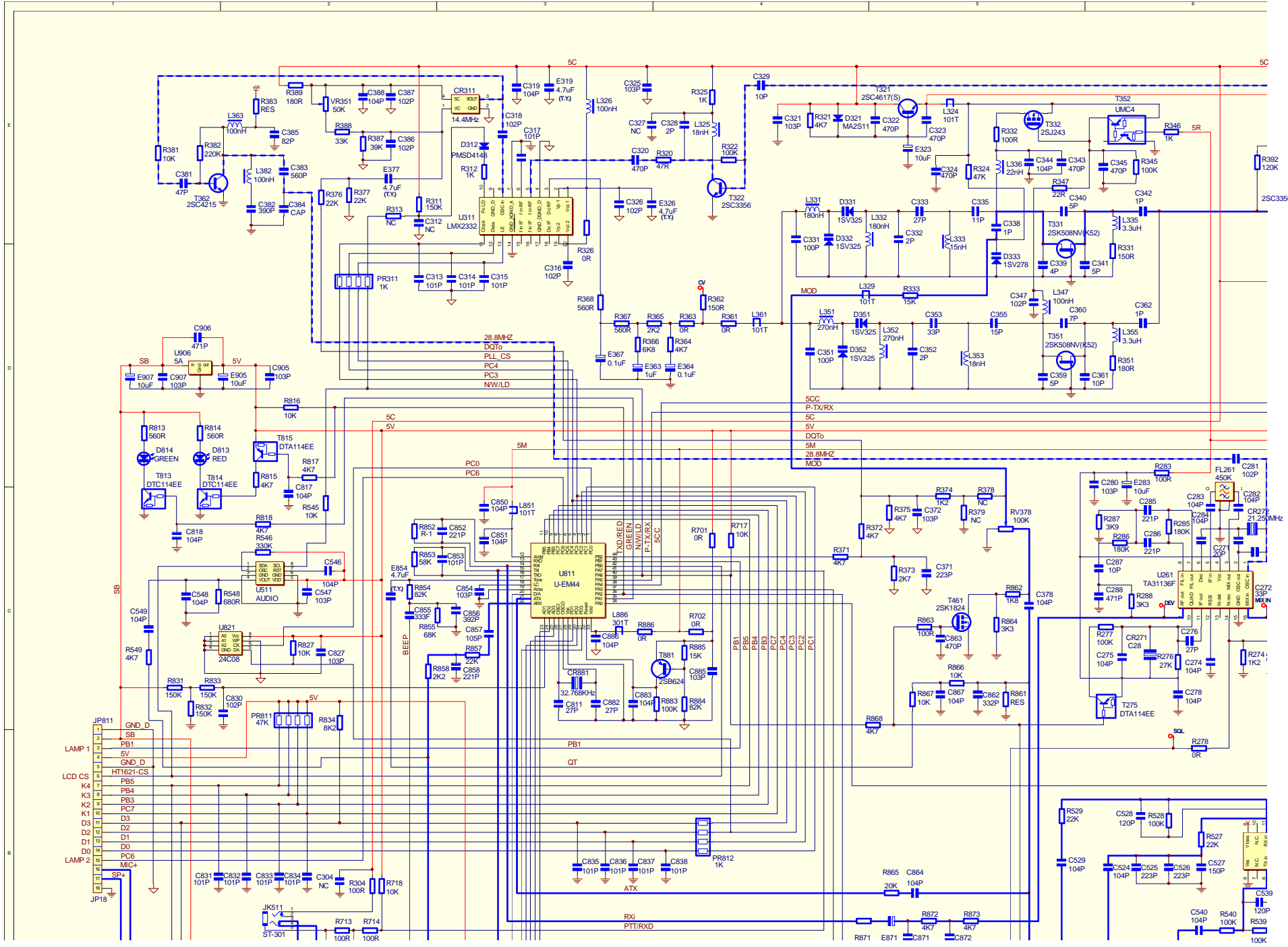
LAMP 2

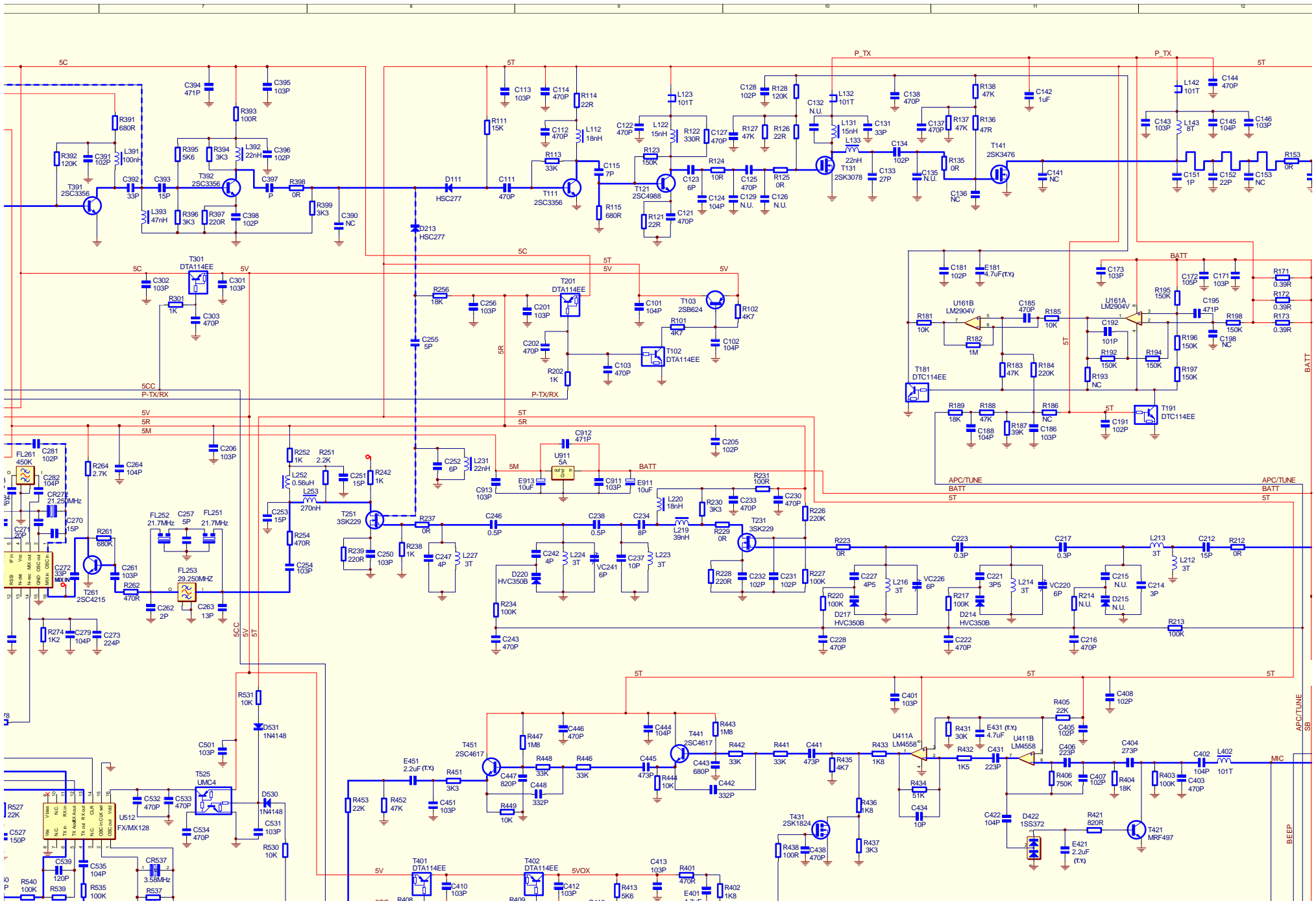
- BEEP
- VOX
- APC/TUNE
- SB
- P-AMP
- MIC
- SP
- AFin
- MCN
- PTT
- D3
- PB5

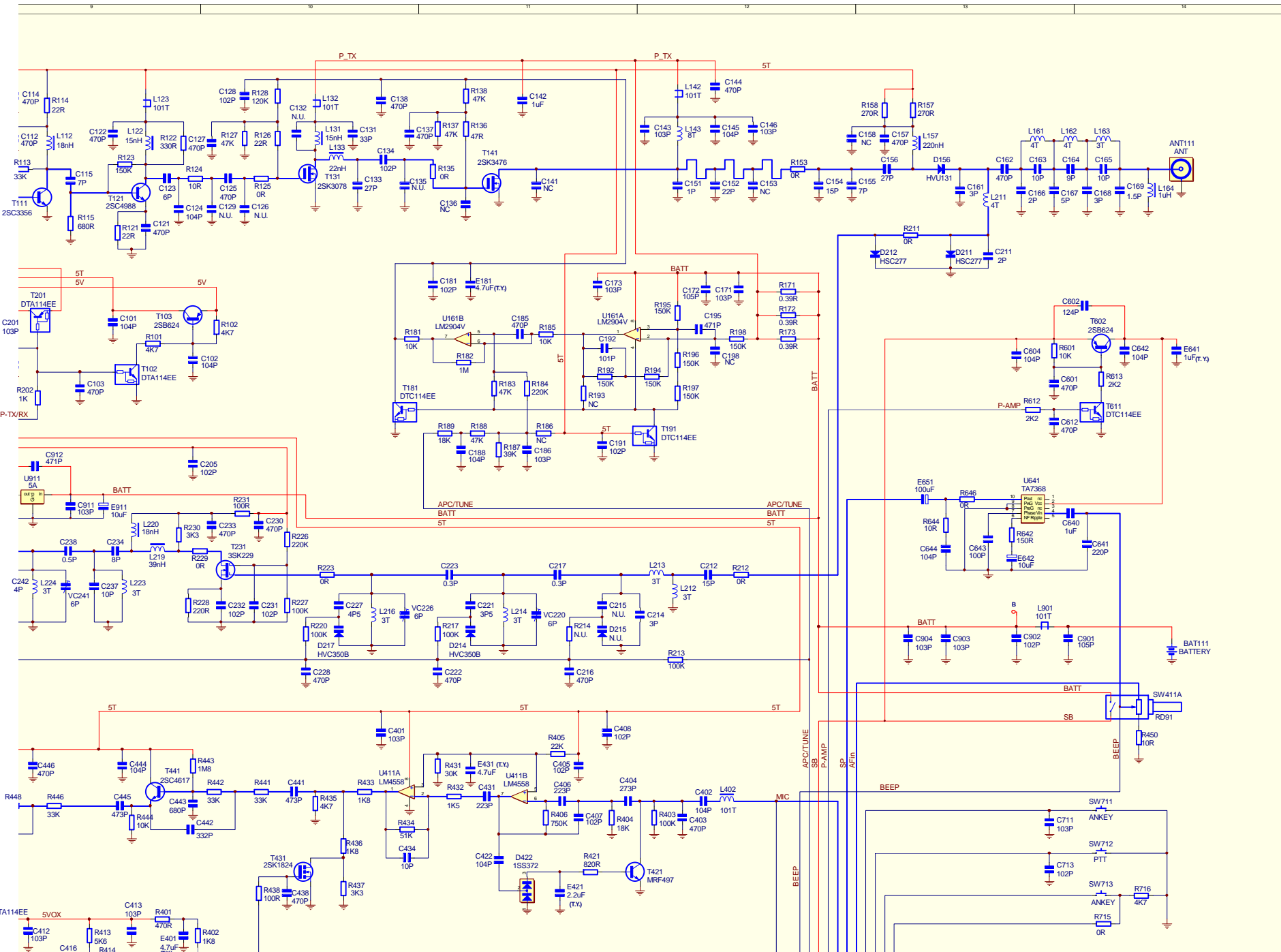




PX-777
SCHEMATIC DIAGRAM
 PX Revision E01D
 Drawing By Lv Wei Jun Netec 0540







PX4101