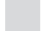
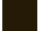
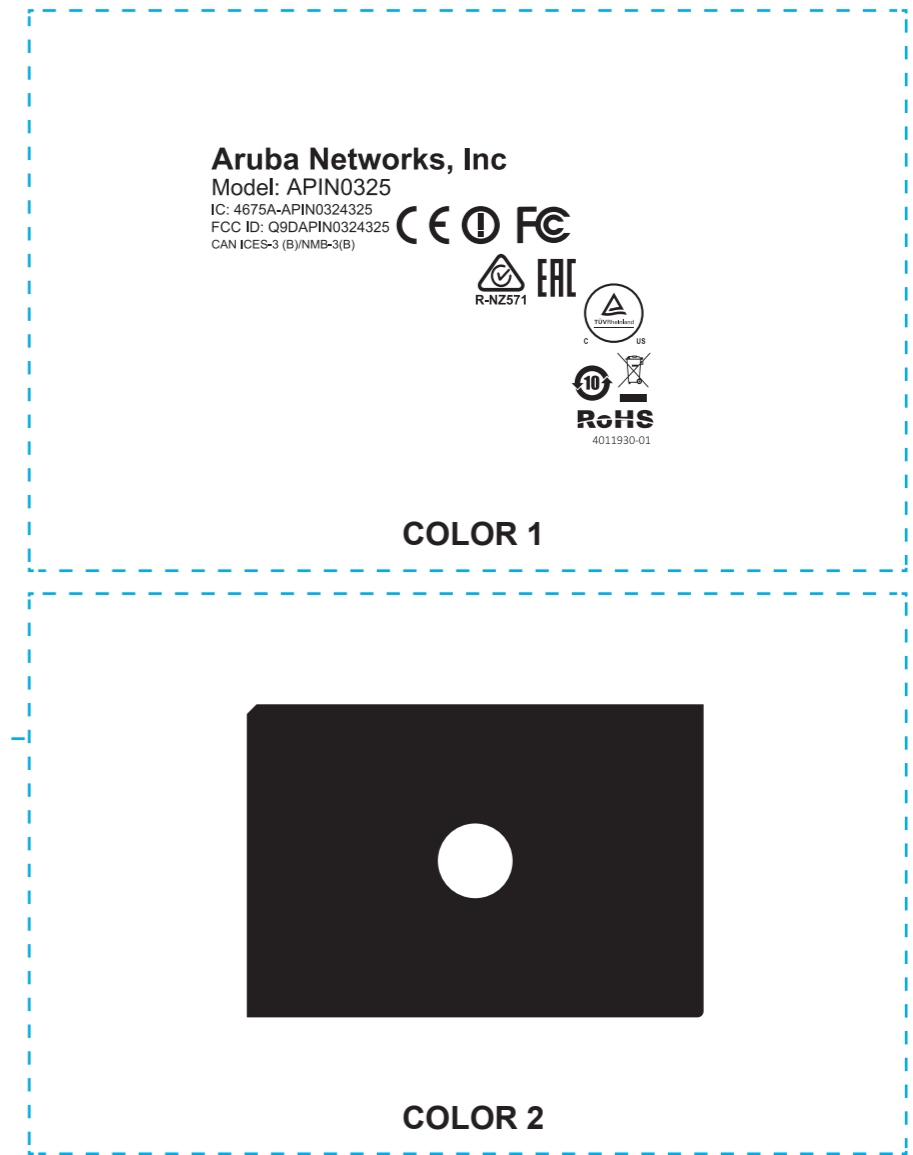
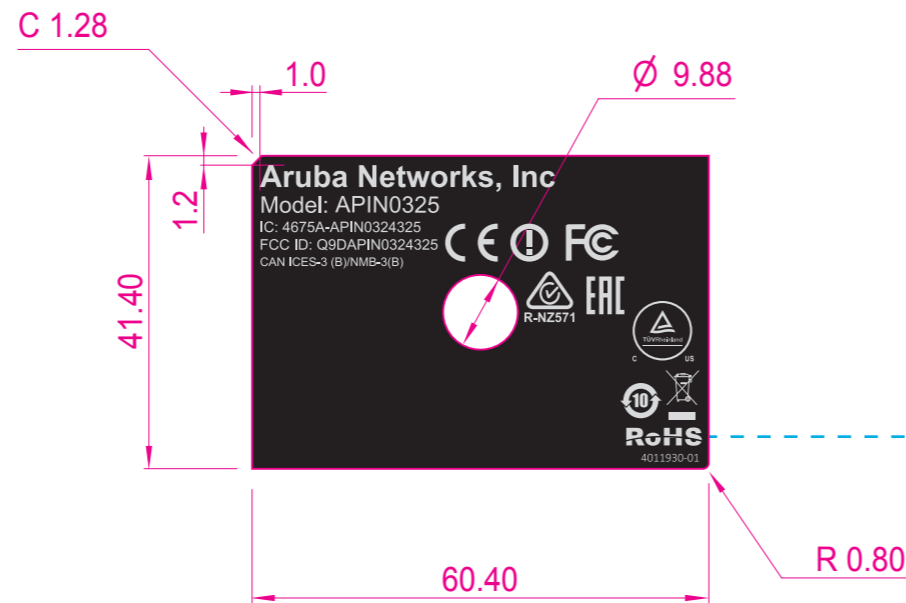


PART NUMBER	COLOR 1	COLOR 2
3NRVAQA02P1-211	 PANTONE COOL GRAY 3 C	 PANTONE BLACK C

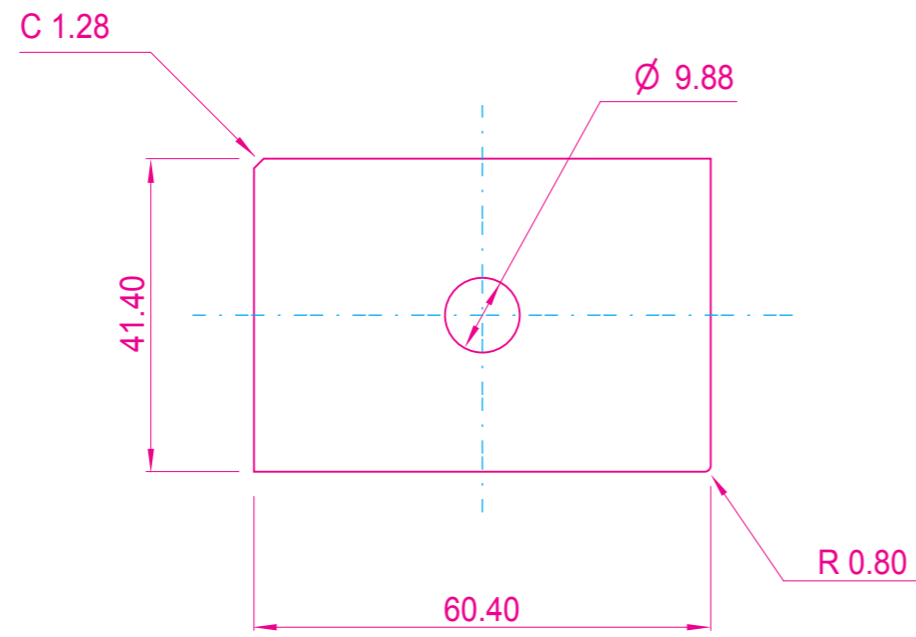
REVISIONS			
REV	DESCRIPTION	DATE	APPROVED
A	RELEASE	05/04/15	SANDY CHEN



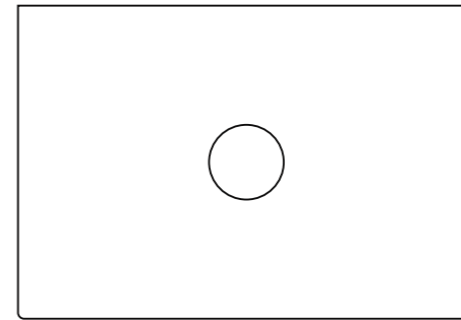
- NOTES:
- MATERIAL: PC/8B35, t=0.254 mm,
  - ADHESIVE: 3M 467膠, t=0.05 mm
  - 刀模尺寸見第二頁

 <b>啟碁科技股份有限公司</b> 20 Park Avenue II, Hsinchu Science Park, Hsinchu 308, Taiwan, R.O.C. Tel: 886-3-6667799 Fax: 886-3-5788726			
DWG TITLE			
NAMEPLATE, 4011930-01, AP-325, RVAQ-A2			
SIZE	DWG NO.	REV	印刷尺寸公差
A3	3NRVAQA02P1-211	A	□±0.5mm □±1mm ☑其他±0.1mm
SCALE	2/1	SHEET	1 OF 2
DRAWN	HSINYUN LIN	05/04/15	
APVD	SANDY CHEN	05/04/15	

PART NUMBER	COLOR 1	COLOR 2



FRONT



BACK

DIE CUT

<b>WNC 啟碁科技股份有限公司</b> Wistron NeWeb Corp. 20 Park Avenue II, Hsinchu Science Park, Hsinchu 308, Taiwan, R.O.C. Tel: 886-3-6667799 Fax: 886-3-5788726			
DWG TITLE			
SIZE	DWG NO.	REV	印刷尺寸公差
A3			<input type="checkbox"/> ±0.5mm <input type="checkbox"/> ±1mm <input checked="" type="checkbox"/> 其他 ±0.1mm
SCALE	2/1	SHEET	1 OF 2
DRAWN			
APVD			