

Company: Aruba Networks, Inc.

Test of: APIN0314 & APIN0315
To: FCC CFR 47 Part 15.407, IS RSS-247 (DFS Bands)

Report No.: ARUB204-U10_Master Rev A

MASTER TEST REPORT



MASTER TEST REPORT

FROM



Test of: Aruba Networks, Inc. APIN0314 & APIN0315

to

To: FCC CFR 47 Part 15.407, IC RSS-247 (DFS Bands)

Test Report Serial No.: ARUB204-U10_Master Rev A

As a result of the 6 Mbyte FCC file size limitation potentially large test reports require to be split into smaller components. This document is the Master document controlling Addendum reports as listed below. This Master document combined with the Addendums demonstrate compliance to the standard

Master Document Number	Addendum Reports
ARUB204-U10_Master	ARUB204-U10_Conducted
	ARUB204-U10_Radiated
	ARUB204-U10_DFS
	ARUB204-U17 (FCC Part 15B & ICES_003)

This report supersedes: NONE

Applicant: Aruba Networks, Inc.
1344 Crossman Ave.
Sunnyvale, California 94089
USA

Product Function: Wireless Access Point

Issue Date: 27th May 2016

This Test Report is Issued Under the Authority of:

MiCOM Labs, Inc.
575 Boulder Court
Pleasanton California 94566
USA
Phone: +1 (925) 462-0304
Fax: +1 (925) 462-0306
www.micomlabs.com



MiCOM Labs is an ISO 17025 Accredited Testing Laboratory



Title: Aruba Networks, Inc. APIN0314 & APIN0315
To: FCC CFR 47 Part 15.407, IC RSS-247 (DFS Bands)
Serial #: ARUB204-U10_Master Rev A
Issue Date: 27th May 2016
Page: 3 of 25

Table of Contents

1. ACCREDITATION, LISTINGS & RECOGNITION.....	4
1.1. Testing Accreditation	4
1.2. Recognition	5
1.3. Product Certification	6
2. DOCUMENT HISTORY	7
3. TEST RESULT CERTIFICATE.....	8
4. REFERENCES AND MEASUREMENT UNCERTAINTY	9
4.1. Normative References	9
4.2. Test and Uncertainty Procedure	10
5. PRODUCT DETAILS AND TEST CONFIGURATIONS	11
5.1. Technical Details	11
5.2. Scope Of Test Program	12
5.3. Equipment Model(s) and Serial Number(s)	15
5.4. Antenna Details	15
5.5. Cabling and I/O Ports	16
5.6. Test Configurations.....	16
5.7. Equipment Modifications	16
5.8. Deviations from the Test Standard	17
6. TEST SUMMARY	18
7. TEST EQUIPMENT CONFIGURATION(S)	19
7.1. Conducted	19
7.2. Radiated Spurious Emission Test Set-up > 1 GHz	21
7.3. ac Wireline Emission Test Set-up.....	23
8. MEASUREMENT AND PRESENTATION OF TEST DATA	24

This test report may be reproduced in full only. The document may only be updated by MiCOM Labs personnel. All changes will be noted in the Document History section of the report.



Title: Aruba Networks, Inc. APIN0314 & APIN0315
To: FCC CFR 47 Part 15.407, IC RSS-247 (DFS Bands)
Serial #: ARUB204-U10_Master Rev A
Issue Date: 27th May 2016
Page: 4 of 25

1. ACCREDITATION, LISTINGS & RECOGNITION

1.1. Testing Accreditation

MiCOM Labs, Inc. is an accredited Electrical testing laboratory per the international standard ISO/IEC 17025:2005. The company is accredited by the American Association for Laboratory Accreditation (A2LA) www.a2la.org test laboratory number 2381.01. MiCOM Labs test schedule is available at the following URL; <http://www.a2la.org/scopepdf/2381-01.pdf>



This test report may be reproduced in full only. The document may only be updated by MiCOM Labs personnel. All changes will be noted in the Document History section of the report.



Title: Aruba Networks, Inc. APIN0314 & APIN0315
To: FCC CFR 47 Part 15.407, IC RSS-247 (DFS Bands)
Serial #: ARUB204-U10_Master Rev A
Issue Date: 27th May 2016
Page: 5 of 25

1.2. Recognition

MiCOM Labs, Inc has widely recognized wireless testing capabilities. Our international recognition includes Conformity Assessment Body designation by APEC MRA countries. MiCOM Labs test reports are accepted globally.

Country	Recognition Body	Status	Phase	Identification No.
USA	Federal Communications Commission (FCC)	TCB	-	US0159 Listing #: 102167
Canada	Industry Canada (IC)	FCB	APEC MRA 2	US0159 Listing #: 4143A-2 4143A-3
Japan	MIC (Ministry of Internal Affairs and Communication)	CAB	APEC MRA 2	RCB 210
	VCCI	--	--	A-0012
Europe	European Commission	NB	EU MRA	NB 2280
Australia	Australian Communications and Media Authority (ACMA)	CAB	APEC MRA 1	US0159
Hong Kong	Office of the Telecommunication Authority (OFTA)	CAB	APEC MRA 1	
Korea	Ministry of Information and Communication Radio Research Laboratory (RRL)	CAB	APEC MRA 1	
Singapore	Infocomm Development Authority (IDA)	CAB	APEC MRA 1	
Taiwan	National Communications Commission (NCC) Bureau of Standards, Metrology and Inspection (BSMI)	CAB	APEC MRA 1	
Vietnam	Ministry of Communication (MIC)	CAB	APEC MRA 1	

EU MRA – European Union Mutual Recognition Agreement.

NB – Notified Body

APEC MRA – Asia Pacific Economic Community Mutual Recognition Agreement. Recognition agreement under which test lab is accredited to regulatory standards of the APEC member countries.

Phase I - recognition for product testing

Phase II – recognition for both product testing and certification

This test report may be reproduced in full only. The document may only be updated by MiCOM Labs personnel. All changes will be noted in the Document History section of the report.

1.3. Product Certification

MiCOM Labs, Inc. is an accredited Product Certification Body per the international standard ISO/IEC 17065:2012. The company is accredited by the American Association for Laboratory Accreditation (A2LA) www.a2la.org test laboratory number 2381.02. MiCOM Labs test schedule is available at the following URL; <http://www.a2la.org/scopepdf/2381-02.pdf>



United States of America – Telecommunication Certification Body (TCB)
Industry Canada – Certification Body, CAB Identifier – US0159
Europe – Notified Body (NB), NB Identifier - 2280
Japan – Recognized Certification Body (RCB), RCB Identifier - 210

This test report may be reproduced in full only. The document may only be updated by MiCOM Labs personnel. All changes will be noted in the Document History section of the report.



Title: Aruba Networks, Inc. APIN0314 & APIN0315
To: FCC CFR 47 Part 15.407, IC RSS-247 (DFS Bands)
Serial #: ARUB204-U10_Master Rev A
Issue Date: 27th May 2016
Page: 7 of 25

2. DOCUMENT HISTORY

Draft History		
Revision	Date	Comments
Draft	19 th May 2016	Initial

Released Document History			
Master Revision	Addendum Revision	Date	Comments
Rev A 27 th May 2016	Rev A Conducted	27 th May 2016	Initial Release
	Rev A Radiated	27 th May 2016	
	Rev A DFS	27 th May 2016	

In the above table the latest report revision will replace all earlier versions.

This test report may be reproduced in full only. The document may only be updated by MiCOM Labs personnel. All changes will be noted in the Document History section of the report.



Title: Aruba Networks, Inc. APIN0314 & APIN0315
To: FCC CFR 47 Part 15.407, IC RSS-247 (DFS Bands)
Serial #: ARUB204-U10_Master Rev A
Issue Date: 27th May 2016
Page: 8 of 25

3. TEST RESULT CERTIFICATE

Manufacturer: Aruba Networks, Inc. 1344 Crossman Ave. Sunnyvale California 94089 USA	Tested By: MiCOM Labs, Inc. 575 Boulder Court Pleasanton California 94566 USA
Model: APIN0314 & APIN0315 Equipment Type: Wireless Access Point	Telephone: +1 925 462 0304 Fax: +1 925 462 0306
S/N's: APIN0314: DW0000199 APIN0315: DW0000364 APIN0314: DW0000196 (DFS) APIN0314: DW0000198 (DFS)	
Test Date(s): 21 st January – 16 th May 2016	Website: www.micomlabs.com

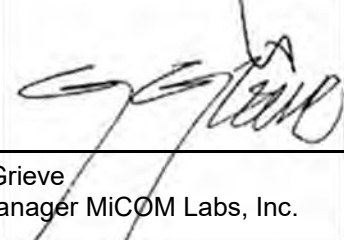
STANDARD(S)	TEST RESULTS
FCC CFR 47 Part 15 Subpart E 15.407, IC RSS-247 (DFS Bands)	EQUIPMENT COMPLIES

MiCOM Labs, Inc. tested the equipment mentioned in accordance with the requirements set forth in the above standards. Test results indicate that the equipment tested is capable of demonstrating compliance with the requirements as documented within this report.

Notes:

1. This document reports conditions under which testing was conducted and the results of testing performed.
2. Details of test methods used have been recorded and kept on file by the laboratory.
3. Test results apply only to the item(s) tested.

Approved & Released for MiCOM Labs, Inc. by:



Graeme Grieve
Quality Manager MiCOM Labs, Inc.


TESTING CERT #2381.01


Gordon Hurst
President & CEO MiCOM Labs, Inc.

This test report may be reproduced in full only. The document may only be updated by MiCOM Labs personnel. All changes will be noted in the Document History section of the report.



Title: Aruba Networks, Inc. APIN0314 & APIN0315
To: FCC CFR 47 Part 15.407, IC RSS-247 (DFS Bands)
Serial #: ARUB204-U10_Master Rev A
Issue Date: 27th May 2016
Page: 9 of 25

4. REFERENCES AND MEASUREMENT UNCERTAINTY

4.1. Normative References

REF.	PUBLICATION	YEAR	TITLE
I	KDB 662911	Oct 31 2013	Guidance for measurement of output emission of devices that employ single transmitter with multiple outputs or systems with multiple transmitters operating simultaneously in the same frequency band
II	KDB 905462 D07 v01r01	8th April 2016	Test guidance to demonstrate compliance for U-NII devices subject to DFS requirements.
III	KDB 926956 D01 v01r06	8th April 2016	U-NII Device Transition Plan
IV	KDB 789033 D02 v01r02	8th April 2016	General UNII Test Procedures New Rules V01
V	A2LA	February 2016	R105 - Requirement's When Making Reference to A2LA Accreditation Status
VI	ANSI C63.10	2013	American National Standard for Testing Unlicensed Wireless Devices
VII	ANSI C63.4	2014	American National Standards for Methods of Measurement of Radio-Noise Emissions from Low-Voltage Electrical and Electronic Equipment in the Range of 9 kHz to 40 GHz
VIII	CISPR 22	2008	Information technology equipment - Radio disturbance characteristics - Limits and methods of measurement
IX	ETSI TR 100 028	2001-12	Parts 1 and 2 Electromagnetic compatibility and Radio Spectrum Matters (ERM); Uncertainties in the measurement of mobile radio equipment characteristics
X	FCC 06-96	Jun 30 2006	Memorandum Opinion and Order
XI	FCC 47 CFR Part 15.407	2014	Radio Frequency Devices; Subpart E –Unlicensed National Information Infrastructure Devices
XII	ICES-003	Issue 6 Jan 2016	Spectrum Management and Telecommunications; Interference-Causing Equipment Standard. Information Technology Equipment (Including Digital Apparatus) – Limits and methods of measurement.
XIII	M 3003	Edition 3 Nov. 2012	Expression of Uncertainty and Confidence in Measurements
XIV	RSS-247 Issue 1	May 2015	Digital Transmission Systems (DTs), Frequency Hopping System (FHSs) and Licence-Exempt Local Area Network (LE-LEN) Devices
XV	RSS-Gen Issue 4	November 2014	General Requirements and Information for the Certification of Radiocommunication Equipment
XVI	KDB 644545 D03 v01	August 14th 2014	Guidance for IEEE 802.11ac New Rules
XVII	FCC 47 CFR Part 2.1033	2014	FCC requirements and rules regarding photographs and test setup diagrams.

This test report may be reproduced in full only. The document may only be updated by MiCOM Labs personnel. All changes will be noted in the Document History section of the report.



Title: Aruba Networks, Inc. APIN0314 & APIN0315
To: FCC CFR 47 Part 15.407, IC RSS-247 (DFS Bands)
Serial #: ARUB204-U10_Master Rev A
Issue Date: 27th May 2016
Page: 10 of 25

4.2. Test and Uncertainty Procedure

Conducted and radiated emission measurements were conducted in accordance with American National Standards Institute ANSI C63.4, listed in the Normative References section of this report.

Measurement uncertainty figures are calculated in accordance with ETSI TR 100 028 Parts 1 and 2.

Measurement uncertainties stated are based on a standard uncertainty multiplied by a coverage factor $k = 2$, providing a level of confidence of approximately 95 % in accordance with UKAS document M 3003 listed in the Normative References section of this report.

This test report may be reproduced in full only. The document may only be updated by MiCOM Labs personnel. All changes will be noted in the Document History section of the report.



Title: Aruba Networks, Inc. APIN0314 & APIN0315
To: FCC CFR 47 Part 15.407, IC RSS-247 (DFS Bands)
Serial #: ARUB204-U10_Master Rev A
Issue Date: 27th May 2016
Page: 11 of 25

5. PRODUCT DETAILS AND TEST CONFIGURATIONS

5.1. Technical Details

Details	Description
Purpose:	Test of the Aruba Networks, Inc. APIN0314 & APIN0315 to FCC CFR 47 Part 15 Subpart E 15.407 and Industry Canada RSS-247
Applicant:	Aruba Networks, Inc. 1344 Crossman Ave., Sunnyvale California 94089 USA
Manufacturer:	As Applicant
Laboratory performing the tests:	MiCOM Labs, Inc. 575 Boulder Court, Pleasanton California 94566 USA
Test report reference number:	ARUB204-U10_Master
Date EUT received:	14 th January 2016
Standard(s) applied:	FCC CFR 47 Part 15 Subpart E 15.407, Industry Canada RSS-247
Dates of test (from - to):	21 st January – 16 th May 2016
No of Units Tested:	4
Type of Equipment:	802.11 a/b/g/n/ac Wireless Access Point
Product Family Name:	Wireless Access Point
Model(s):	APIN0314 & APIN0315
Location for use:	Indoor
Declared Frequency Range(s):	5250 - 5350 MHz; 5470 - 5725 MHz
Type of Modulation:	OFDM
EUT Modes of Operation:	Bandwidth: 20, 40, 80, 80+80, 160 MHz
Transmit/Receive Operation:	Transceiver - Half Duplex
Rated Input Voltage and Current:	POE (POE adaptor NOT sold with unit) 55Vdc ac/dc adaptor 120 Vac 60Hz : +12 Vdc
Operating Temperature Range:	Declared Range 0°C to 40°C
ITU Emission Designator:	802.11a: 28M7D1D 802.11n HT-20: 27M7D1D 802.11n HT-40: 64M7D1D 802.11ac-80: 77M4D1D 802.11ac-160: 155M2D1D
Equipment Dimensions:	APIN0314: 181.6mm x 180.35mm x 48mm / 7.15" x 7.1" x 1.89" APIN0315: 181.6mm x 180.35mm x 48mm / 7.15" x 7.1" x 1.89"
Weight:	APIN0314: 0.643 kg APIN0315: 0.650 kg
Hardware Rev:	Rev. 1
Software Rev:	QSPR Version 5.0.0 RF Test Image used with QSPR: boarddata_1_dquan_2G_GF_12082015.bin DFS Testing: APIN0314: 6.5.0.0 Build 55049
Primary function of equipment:	Transmission of voice and/or data
Secondary function of equipment:	None Provided

This test report may be reproduced in full only. The document may only be updated by MiCOM Labs personnel. All changes will be noted in the Document History section of the report.

5.2. Scope Of Test Program

Aruba Networks, Inc. APIN0314 & APIN0315

The scope of the test program was to test the Aruba Networks, Inc. APIN0314 & APIN0315, 802.11 a/b/g/n/ac/ac configurations in the frequency ranges 5150 - 5250 MHz and 5725 - 5850 MHz; for compliance against the following specification:

FCC CFR 47 Part 15 Subpart E 15.407

Radio Frequency Devices; Subpart E –Unlicensed National Information Infrastructure Devices

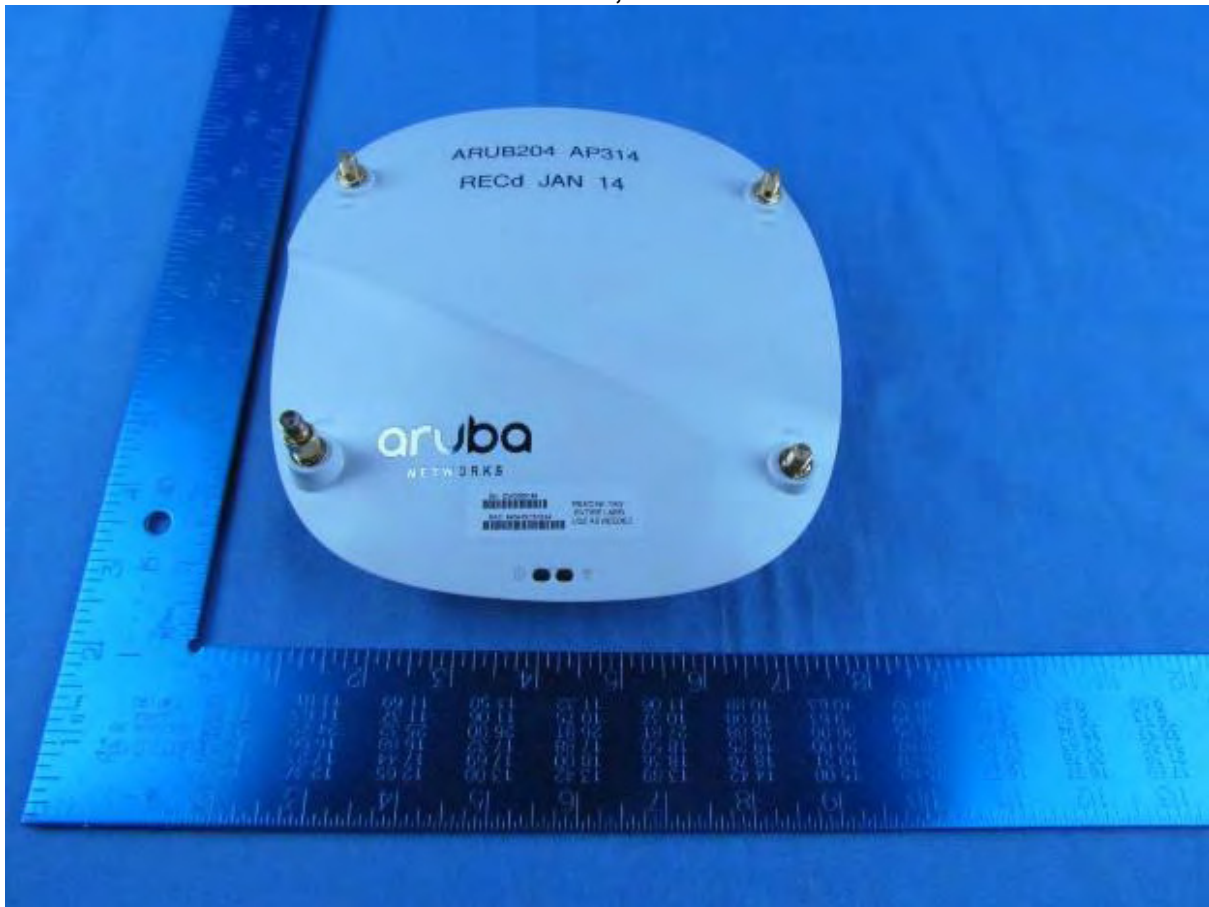
Industry Canada RSS-247 (Issue 1)

Digital Transmission Systems (DTSs), Frequency Hopping System (FHSs) and Licence-Exempt Local Area Network (LE-LEN) Devices

Product Family

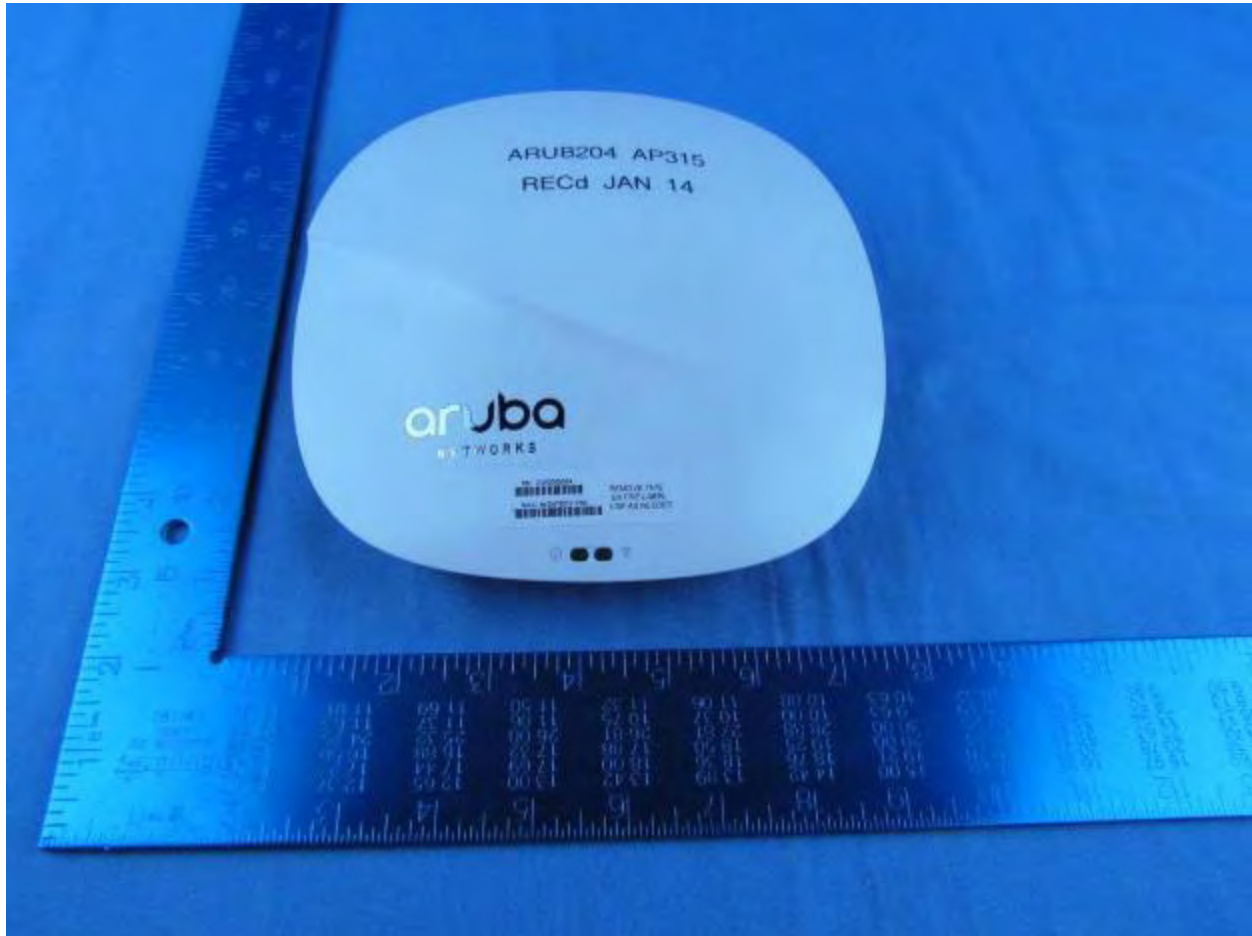
APIN0314 : External Antennas (see Section 5.4 Antenna Details for antenna and beam-forming gains)
APIN0315 : Integral Antenna (see Section 5.4 Antenna Details for integral antenna gain)

Aruba Networks, Inc. APIN0314



This test report may be reproduced in full only. The document may only be updated by MiCOM Labs personnel. All changes will be noted in the Document History section of the report.

Aruba Networks, Inc. APIN0315



This test report may be reproduced in full only. The document may only be updated by MiCOM Labs personnel. All changes will be noted in the Document History section of the report.

Aruba Networks, Inc. APIN0314 and APIN0314



This test report may be reproduced in full only. The document may only be updated by MiCOM Labs personnel. All changes will be noted in the Document History section of the report.



Title: Aruba Networks, Inc. APIN0314 & APIN0315
To: FCC CFR 47 Part 15.407, IC RSS-247 (DFS Bands)
Serial #: ARUB204-U10_Master Rev A
Issue Date: 27th May 2016
Page: 15 of 25

5.3. Equipment Model(s) and Serial Number(s)

Type	Description	Manufacturer	Model	Serial No.	Delivery Date
EUT	802.11a/b/g/n/ac WLAN Access Point	Aruba Network Inc.	APIN0314	DW0000199	14 th January 2016
EUT	802.11a/b/g/n/ac WLAN Access Point	Aruba Network Inc.	APIN0315	DW0000364	14 th January 2016
EUT	Wireless Access Point	Aruba Network Inc.	APIN0314	DW0000196*	2 nd May 2016
EUT	Wireless Access Point	Aruba Network Inc.	APIN0314	DW0000198*	11 th May 2016
Support	Laptop PC	DELL	E7450	None	N/A

* - Units limited for DFS testing

5.4. Antenna Details

*802.11a Operational Mode (legacy) does not have beam forming gains

Type	Manufacturer	Model	Family	Gain (dBi)	BF Gain	Dir BW	X-Pol	Frequency Band (MHz)
integral	Aruba Networks	Metal Sheet	OMNI	2.0	-	360	-	5250 – 5350 5470 - 5725
external	Aruba Networks	AP-ANT-1W	OMNI	5.8	6.0	360	-	5250 – 5350 5470 - 5725
external	Aruba Networks	AP-ANT-13B	Downtilt OMNI	3.3	6.0	360	-	5250 – 5350 5470 - 5725
external	Aruba Networks	AP-ANT-19	OMNI	6.0	6.0	360	-	5250 – 5350 5470 - 5725
external	Aruba Networks	AP-ANT-20W	OMNI	2.0	6.0	360	-	5250 – 5350 5470 - 5725
external	Aruba Networks	AP-ANT-40	Downtilt OMNI	4.7	3.0	360	-	5250 – 5350 5470 - 5725
external	Aruba Networks	AP-ANT-45	Multipolarized	5.0	3.0	360	-	5250 – 5350 5470 - 5725
external	Aruba Networks	AP-ANT-48	Multipolarized	8.5	3.0	360	-	5250 – 5350 5470 - 5725

BF Gain - Beamforming Gain
Dir BW - Directional BeamWidth
X-Pol - Cross Polarization

This test report may be reproduced in full only. The document may only be updated by MiCOM Labs personnel. All changes will be noted in the Document History section of the report.



Title: Aruba Networks, Inc. APIN0314 & APIN0315
To: FCC CFR 47 Part 15.407, IC RSS-247 (DFS Bands)
Serial #: ARUB204-U10_Master Rev A
Issue Date: 27th May 2016
Page: 16 of 25

5.5. Cabling and I/O Ports

Port Type	Max Cable Length	# Of Ports	Screened	Conn Type	Data Type
Ethernet	100m	1	N	RJ-45	Packet Data
RS232	3m	1	N	RJ-45	Digital
dc Jack	Unknown	1	N	Jack	Power

5.6. Test Configurations

Results for the following configurations are provided in this report:

Operational Mode(s) (802.11a/b/g/n/ac)	Data Rate with Highest Power MBit/s	Channel Frequency (MHz)		
		Low	Mid	High
5250 - 5350 MHz				
802.11a	6.00	5260.00	5300.00	5320.00
802.11ac-80	29.30	--	--	5290.00
802.11ac-160	58.50	5250.00	--	--
802.11n HT-20	6.50	5260.00	5300.00	5320.00
802.11n HT-40	13.50	5270.00	--	5310.00
5470 - 5725 MHz				
802.11a	6.00	5500.00	5580.00	5720.00
802.11ac-80	29.30	5530.00	5610.00	5690.00
802.11ac-160	58.50	5570.00	--	--
802.11n HT-20	6.50	5500.00	5580.00	5720.00
802.11n HT-40	13.50	5510.00	5550.00	5710.00

5.7. Equipment Modifications

The following modifications were required to bring the equipment into compliance:

DFS Testing

1. Software update from build 54293 to build 54486 was performed to comply with Probability Detection tests, all tests were spot checked after the update.
2. Software update from build 54486 to 55049 was performed to account for detection failures in ac-160 operation mode.

NOTE: All previous modes were spot checked with the final build 55049.

This test report may be reproduced in full only. The document may only be updated by MiCOM Labs personnel. All changes will be noted in the Document History section of the report.



Title: Aruba Networks, Inc. APIN0314 & APIN0315
To: FCC CFR 47 Part 15.407, IC RSS-247 (DFS Bands)
Serial #: ARUB204-U10_Master Rev A
Issue Date: 27th May 2016
Page: 17 of 25

5.8. Deviations from the Test Standard

The following deviations from the test standard were required in order to complete the test program:

1. NONE

This test report may be reproduced in full only. The document may only be updated by MiCOM Labs personnel. All changes will be noted in the Document History section of the report.



Title: Aruba Networks, Inc. APIN0314 & APIN0315
To: FCC CFR 47 Part 15.407, IC RSS-247 (DFS Bands)
Serial #: ARUB204-U10_Master Rev A
Issue Date: 27th May 2016
Page: 18 of 25

6. TEST SUMMARY

List of Measurements

Test Header	Result	Comments
Conducted Testing	See Report ARUB204-U10_Conducted	
(a) Peak Transmit Power	Complies	
(a) 26 dB & 99% Bandwidth	Complies	
(a)(5) Power Spectral Density	Complies	
Radiated Testing	See Report ARUB204-U10_Radiated	
(b)(2) Radiated Spurious & Band-Edge Emissions	Complies	
Aruba Networks AP-ANT-13B	Complies	
Aruba Networks AP-ANT-19	Complies	
Aruba Networks AP-ANT-1W	Complies	
Aruba Networks AP-ANT-20W	Complies	
Aruba Networks AP-ANT-40	Complies	
Aruba Networks AP-ANT-45	Complies	
Aruba Networks AP-ANT-48	Complies	
Aruba Networks Metal Sheet	Complies	
DFS Testing	See Report ARUB204-U10_DFS	
(h)(2) Dynamic Frequency Selection (DFS)	Complies	
(ii) Channel Availability Check	Complies	
(a) Initial CAC	Complies	
(b) Beginning CAC	Complies	
(c) End CAC	Complies	
(iii) Channel Close / Transmission Time	Complies	
(iv) Non-Occupancy Period	Complies	
Probability of Detection	Complies	
Detection Bandwidth	Complies	
Digital Emissions	See Report ARUB204-U17 Part 15B & ICES-003	
15.209 Digital Emissions	Complies	
AC Wireline Emissions	See Report ARUB196-U17 Part 15B & ICES-003	
15.207 AC Wireline Emissions	Complies	

This test report may be reproduced in full only. The document may only be updated by MiCOM Labs personnel. All changes will be noted in the Document History section of the report.

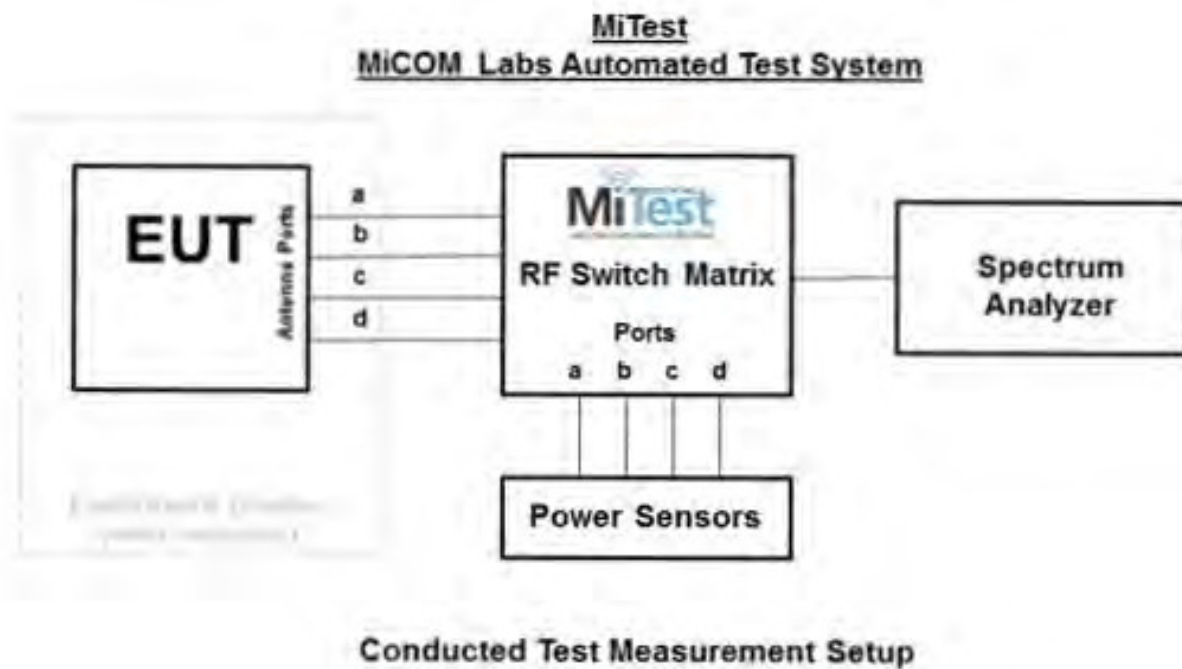
7. TEST EQUIPMENT CONFIGURATION(S)

7.1. Conducted

Conducted RF Emission Test Set-up(s)

The following tests were performed using the conducted test set-up shown in the diagram below;

1. Peak Transmit Power
2. 26 dB & 99% Bandwidth
3. Power Spectral Density



A full system calibration was performed on the test station and any resulting system losses (or gains) were taken into account in the production of all final measurement data.



Title: Aruba Networks, Inc. APIN0314 & APIN0315
To: FCC CFR 47 Part 15.407, IC RSS-247 (DFS Bands)
Serial #: ARUB204-U10_Master Rev A
Issue Date: 27th May 2016
Page: 20 of 25

Asset#	Description	Manufacturer	Model#	Serial#	Calibration Due Date
158	Barometer/Thermometer	Control Company	4196	E2846	01 Dec 2016
287	Rohde & Schwarz 40 GHz Receiver	Rhode & Schwarz	ESIB40	100201	27 Aug 2016
376	USB 10MHz - 18GHz Average Power Sensor	Agilent	U2000A	MY51440005	23 Oct 2016
381	4x4 RF Switch Box	MiCOM Labs	MiTest RF Switch Box	MIC002	18 Jun 2016
419	Laptop with Labview Software	Lenova	W520	TS02	Not Required
420	USB to GPIB Interface	National Instruments	GPIB-USB HS	1346738	Not Required
435	USB Wideband Power Sensor	Boonton	55006	8730	31 Jul 2016
440	USB Wideband Power Sensor	Boonton	55006	9178	25 Sep 2016
441	USB Wideband Power Sensor	Boonton	55006	9179	25 Sep 2016
442	USB Wideband Power Sensor	Boonton	55006	9181	25 Sep 2016
460	Dell Computer	Dell	Optiplex330	BC944G1	Not Required
RF#2 GPIB#1	GPIB cable to Power Supply	HP	GPIB	None	Not Required
RF#2 SMA#1	EUT to Mitest box port 1	Flexco	SMA Cable port1	None	18 Jun 2016
RF#2 SMA#2	EUT to Mitest box port 2	Flexco	SMA Cable port2	None	18 Jun 2016
RF#2 SMA#3	EUT to Mitest box port 3	Flexco	SMA Cable port3	None	18 Jun 2016
RF#2 SMA#4	EUT to Mitest box port 4	Flexco	SMA Cable port4	None	18 Jun 2016
RF#2 SMA#SA	Mitest box to SA	Flexco	SMA Cable SA	None	18 Jun 2016
RF#2 USB#1	USB Cable to Mitest Box	Dynex	USB Cable	None	Not Required

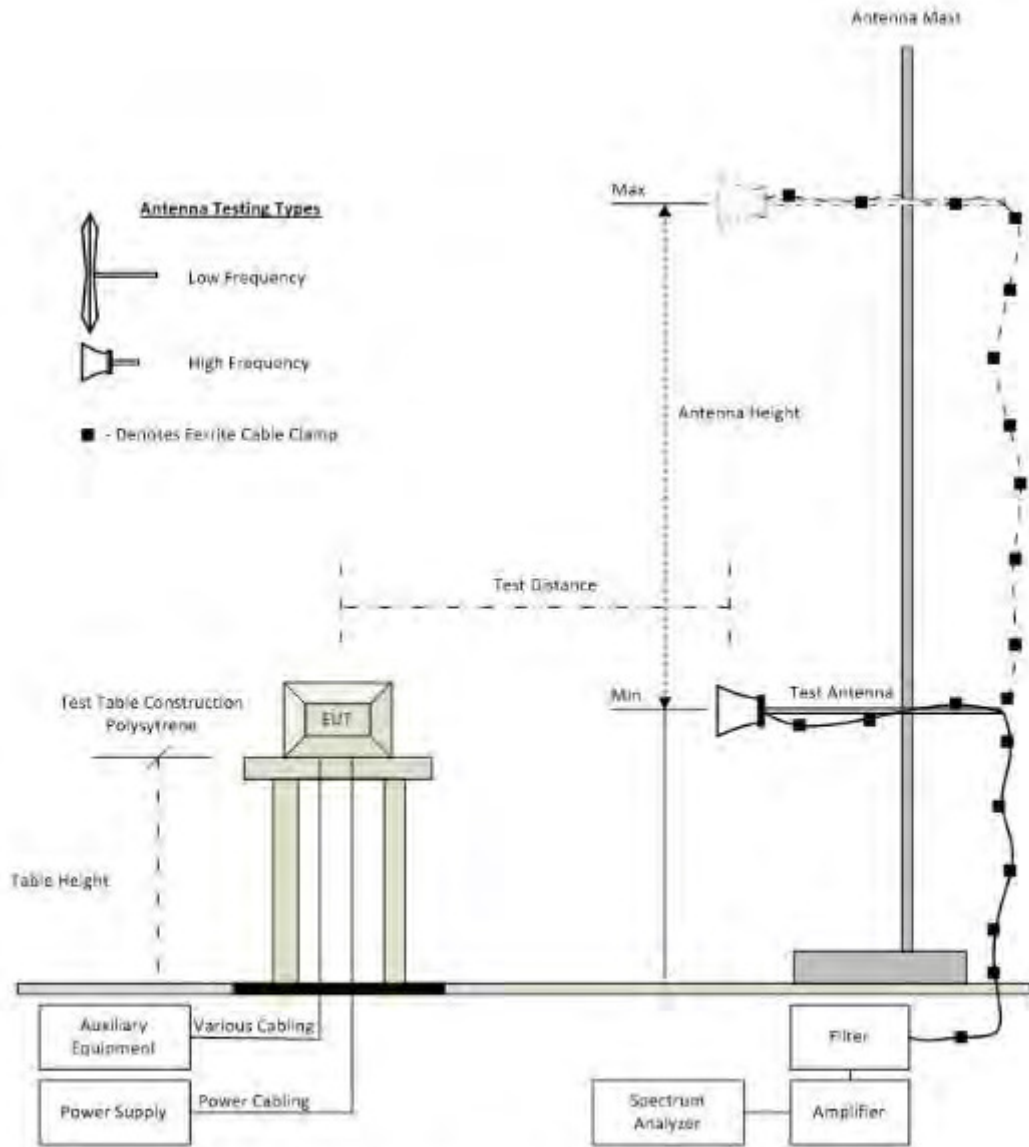
This test report may be reproduced in full only. The document may only be updated by MiCOM Labs personnel. All changes will be noted in the Document History section of the report.

7.2. Radiated Spurious Emission Test Set-up > 1 GHz

The following tests were performed using the radiated test set-up shown in the diagram below.

Radiated Spurious and Band-edge Emissions

Radiated Emission Measurement Setup



Radiated Emission Test Setup

This test report may be reproduced in full only. The document may only be updated by MiCOM Labs personnel. All changes will be noted in the Document History section of the report.



Title: Aruba Networks, Inc. APIN0314 & APIN0315
To: FCC CFR 47 Part 15.407, IC RSS-247 (DFS Bands)
Serial #: ARUB204-U10_Master Rev A
Issue Date: 27th May 2016
Page: 22 of 25

Asset#	Description	Manufacturer	Model#	Serial#	Calibration Due Date
158	Barometer/Thermometer	Control Company	4196	E2846	01 Dec 2016
170	Video System Controller for Semi Anechoic Chamber	Panasonic	WV-CY101	04R08507	Not Required
287	Rohde & Schwarz 40 GHz Receiver	Rhode & Schwarz	ESIB40	100201	27 Aug 2016
338	Sunol 30 to 3000 MHz Antenna	Sunol	JB3	A052907	15 Aug 2016
396	2.4 GHz Notch Filter	Microtronics	BRM50701	001	18 Aug 2016
397	Amp 10 - 2500MHz	MiCOM Labs	Amp 10 - 2500 MHz	NA	24 Feb 2016
399	ETS 1-18 GHz Horn Antenna	ETS	3117	00154575	18 th Oct 2016
406	Amplifier for Radiated Emissions	MiCOM Labs	40dB 1 to 18GHz Amp	0406	28 May 2016
410	Desktop Computer	Dell	Inspiron 620	WS38	Not Required
411	Mast/Turntable Controller	Sunol Sciences	SC98V	060199-1D	Not Required
412	USB to GPIB Interface	National Instruments	GPIB-USB HS	11B8DC2	Not Required
413	Mast Controller	Sunol Science	TWR95-4	030801-3	Not Required
415	Turntable Controller	Sunol Sciences	Turntable Controller	None	Not Required
447	Rad Emissions Test Software	MiCOM	Rad Emissions Test Software Version 1.0.73	447	Not Required
462	Schwarzbeck cable from Antenna to Amplifier.	Schwarzbeck	AK 9513	462	25 Feb 2016
463	Schwarzbeck cable from Amplifier to Bulkhead.	Schwarzbeck	AK 9513	463	25 Feb 2016
464	Schwarzbeck cable from Bulkhead to Receiver	Schwarzbeck	AK 9513	464	25 Feb 2016
465	Low Pass Filter DC-1000 MHz	Mini-Circuits	NLP-1200+	VUU01901402	18 Aug 2016
480	Cable - Bulkhead to Amp	SRC Haverhill	157-157-3050360	480	11 Aug 2016
481	Cable - Bulkhead to Receiver	SRC Haverhill	151-151-3050787	481	11 Aug 2016
482	Cable - Amp to Antenna	SRC Haverhill	157-157-3051574	482	11 Aug 2016

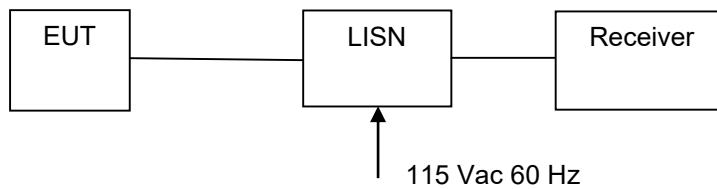
This test report may be reproduced in full only. The document may only be updated by MiCOM Labs personnel. All changes will be noted in the Document History section of the report.

7.3. ac Wireline Emission Test Set-up

The following tests were performed using the conducted test set-up shown in the diagram below.

ac Wireline Conducted Emissions

Conducted Test Set-Up Pictorial Representation



Measurement set up for ac Wireline Conducted Emissions Test

Asset#	Description	Manufacturer	Model#	Serial#	Calibration Due Date
158	Barometer/Thermometer	Control Company	4196	E2846	01 Dec 2016
184	Pulse Limiter	Rhode & Schwarz	ESH3Z2	357.8810.52	27 Oct 2016
190	LISN (two-line V-network)	Rhode & Schwarz	ESH3Z5	836679/006	29 Oct 2016
287	Rohde & Schwarz 40 GHz Receiver	Rhode & Schwarz	ESIB40	100201	27 Aug 2016
307	BNC-CABLE	Megaphase	1689 1GVT4	15F50B002	27 Oct 2016
316	Dell desktop computer workstation with Vasona	Dell	Desktop	WS04	Not Required
372	AC Variable PS	California Instruments	1251P	L06951	Cal when used
378	Rohde & Schwarz 40 GHz Receiver with Generator	Rhode & Schwarz	ESIB40	100107/040	04 Aug 2016
388	LISN (3 Phase) 9kHz - 30MHz	Rohde & Schwarz	ESH2-Z5	892107/022	30 Oct 2016
ADAPT SMA#1	SMA Cable	Megaphase	SMA Cable #1	None	Cal when used

This test report may be reproduced in full only. The document may only be updated by MiCOM Labs personnel. All changes will be noted in the Document History section of the report.



Title: Aruba Networks, Inc. APIN0314 & APIN0315
To: FCC CFR 47 Part 15.407, IC RSS-247 (DFS Bands)
Serial #: ARUB204-U10_Master Rev A
Issue Date: 27th May 2016
Page: 24 of 25

8. MEASUREMENT AND PRESENTATION OF TEST DATA

The measurement and graphical data presented in this test report was generated automatically using state-of-the-art technology creating an easy to read report structure. Numerical measurement data is separated from supporting graphical data (plots) through hyperlinks. Numerical measurement data can be reviewed without scrolling through numerous graphical pages to arrive at the next data matrix.

Plots have been relegated into the Appendix 'Graphical Data'.

Test and report automation was performed by [MiTest](#). [MiTest](#) is an automated test system developed by MiCOM Labs. [MiTest](#) is the first cloud based modular test system enabling end-to-end automation of regulatory compliance testing for conducted RF testing.



The MiCOM Labs "[MiTest](#)" Automated Test System" (Patent Pending)

This test report may be reproduced in full only. The document may only be updated by MiCOM Labs personnel. All changes will be noted in the Document History section of the report.



575 Boulder Court
Pleasanton, California 94566, USA
Tel: +1 (925) 462 0304
Fax: +1 (925) 462 0306
www.micomlabs.com