

1

2

3

4

5

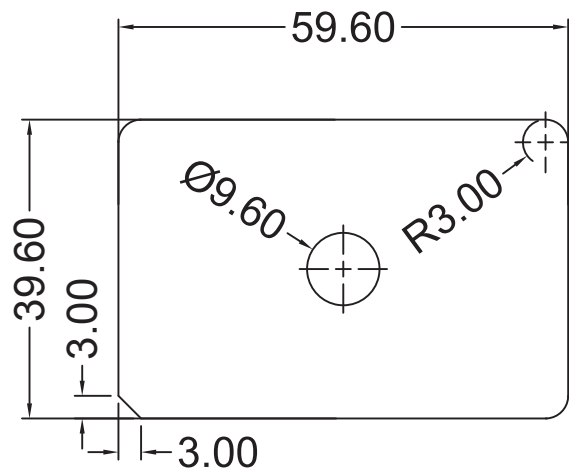
1	← 修正		
---	------	--	--

A

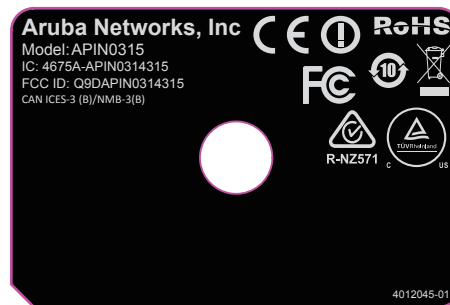
B

C

D



### 相关说明



#### NOTE:

1. DIMENSIONS IN MILLIMETERS
2. THICKNESS: 0.1MM
3. MATERIAL: #75 white PET  
GLOSSY, ADHESIVE BACKED,  
UL APPROVED STOCK LABEL, UL APPROVED INK
4. GRAPHICS AND TEXT: Pantone Cool Gray 3C

- Background color:BLACK
- Text and graphic color:PANTONE COOL GRAY 3C

#### Notes:

1. 材質:75#白色特多龍, 上霧面PET, 背壓克力压花膠
2. 印刷顏色:如图
3. 尺寸公差:0/-0.2mm
4. 所使用材料需符合RoHS

DONOTSCALEDRAWING

MODEL	AP-315	NAME	LBL, BASE AGENCY, IAPAP-315		SCALE	1 / 1
DSN		PART. NO	4012045-01		SHEET	OF
CHK		MATERIAL	White PET	Q'TY	PC	REV. 1
APV					REV. DATE	
FILE						

USED