

1

2

3

4

5

1

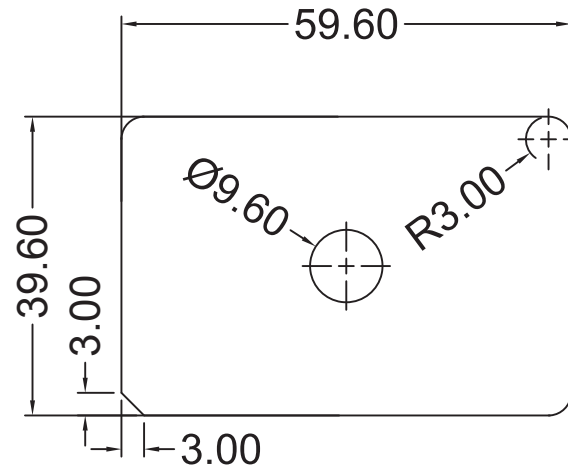
← 修正

A

B

C

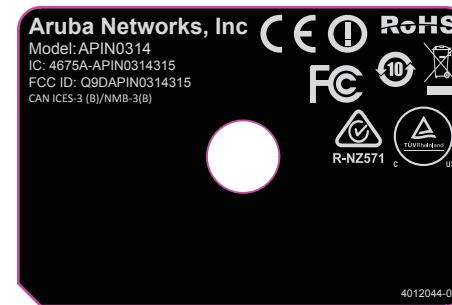
D



NOTE:

1. DIMENSIONS IN MILLIMETERS
2. THICKNESS: 0.1MM
3. MATERIAL: #75 white PET
GLOSSY, ADHESIVE BACKED,
UL APPROVED STOCK LABEL, UL APPROVED INK
4. GRAPHICS AND TEXT: Pantone Cool Gray 3C

相关说明



- Background color:BLACK
- Text and graphic color:PANTONE COOL GRAY 3C

Notes:

1. 材質:75#白色特多龍, 上霧面PET, 背壓克力压花膠
2. 印刷顏色:如图
3. 尺寸公差:0/-0.2mm
4. 所使用材料需符合RoHS

DONOTSCALEDRAWING

MODEL	AP-314	NAME	LBL, BASE AGENCY, IAPAP-314	SCALE	1 / 1
DSN		PART. NO	4012044-01	SHEET	OF
CHK		MATERIAL	White PET	Q'TY	PC
APV				REV.	1
FILE				REV. DATE	



USED