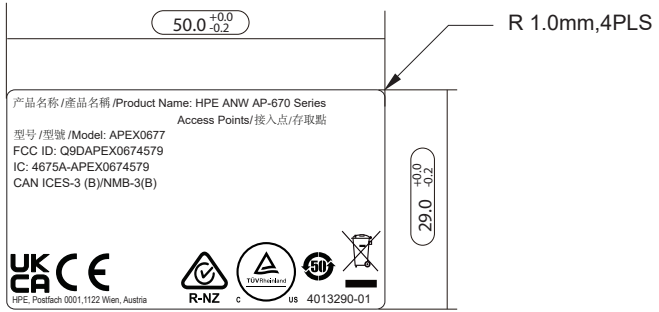


PART NUMBER BLOCK	
PART NUMBER	REV

REVISIONS			
REV	DESCRIPTION	DATE	APPROVED
	RELEASE TO FILE		



NOTES:

- MATERIAL: 50µ Polyester Film White Matt Label with Depressive Liner
- COLOR:
 - COLOR OF BASE: WHITE
 - COLOR OF FONT: BLACK
- THICKNESS OF FACE STOCK: 0.052 ± 0.004
- THICKNESS OF ADHESIVE: 0.033 ± 0.003

		UNLESS OTHERWISE SPECIFIED ALL DIMENSIONS ARE IN mm AND TOLERANCES ARE:					
		INTEGRAL DIMENSIONS ± 0.5 1 PLACE DECIMAL ± 0.3		ANGULAR DIMENSIONS ± 2° HOLES UNDER φ 5.00 ± 0.2			
		MATERIAL: SEE NOTES				DWG TITLE	
		FINISH: SEE NOTES				LABEL, BASE AGENCY L, AP-677	
		THIRD ANGLE PROJECTION		DRAWN		SIZE	DWG NO.
NEXT ASSY	USED ON			ENGR		A4	4013290
APPLICATION				APVD		SCALE	1/1
						REV	01

