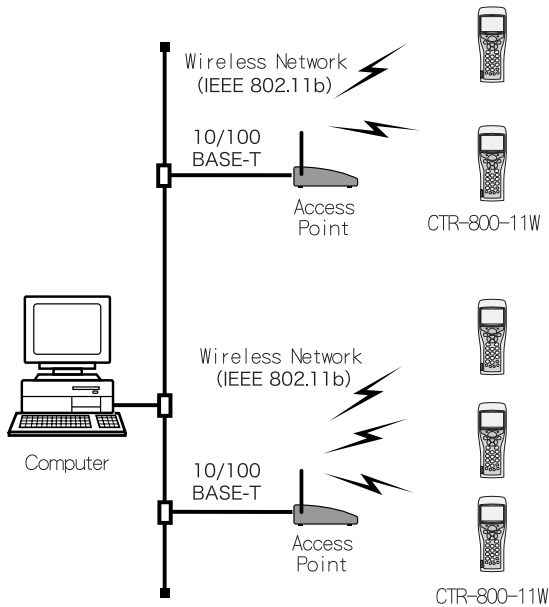


1-3 Wireless Communications

■ Wireless function of the CTR-800 series

The CTR-800 series is a handy terminal network system incorporating a wireless communication system. The barcode terminal is small, lightweight and excels in portability. It is also suitable for moving around the work place, operating remotely from the computer while collecting barcode data. The CRT-800-11's wireless communication system is based on and conforms to the WLAN standard, IEEE802.11b. The maximum possible wireless transmission speed is approximately 11Mbps(es). Transmission and reception of scanned barcode data or files can be performed in real time through the wireless network.



Wireless Hand-held Terminal CTR-800-11W



High-speed IEEE802.11b compliant wireless communication.



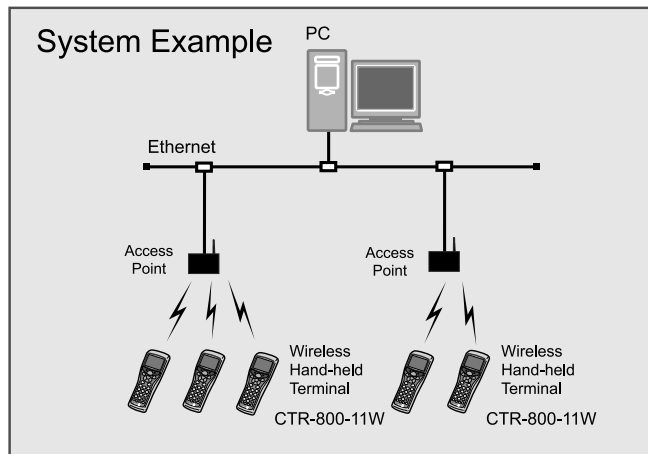
Light! 190 g
Small! 160 x 57 x 38 mm
Long time operation!

- Wireless networking based on the IEEE802.11b(WLAN)
- Standard TCP/IP protocol compliance.
- High-speed and wide area wireless communication.
- Internal antenna, RF sync alarm indicator.
- High-performance barcode scanning and easy operation.
- Indicates completion of barcode scanning with vibration.
- Withstands 1.2m fall. Resistant to water drops.
- Useful cross-arranged function keys.
- Serial port(RS-232C/IrDA) available for label printer.

Specifications

CPU	32 bit RISC		
Memory	FROM	4MB	
	SRAM	4MB	
Scanner	Readable barcodes	NW-7, CODE39, JAN-13/8, UPC-A/E, EAN 13/8, industrial 2of5, ITF, CODE93, CODE128, EAN128	
	Readable characters	72 characters max	
	Readable width	350 mm max	
	Pointer	Semiconductor laser	
	MRD	25	
	Resolution	0.127mm	
Indicator	Scan	Green/Red/Orange	
	Alert	Red(Indicates no sync)	
Display	STN LCD(gray mode)		
	Number of characters	Kanji:10 chars x 5 lines	
		ANK:20 chars x 5 lines	
	Active area	43 W x 31 H mm	
	Usable characters	JIS1/2 Kanji, ANK, Symbols, User defined Symbols	
	Contrast	8 level	
Backlight	Yes		
Buzzer	Beep when good-read or error.		
Vibrator	Vibrate when good-read or error.		
Size	56.6 W x 160 D x 37.9 H mm(at grip 45 W x 26 H mm)		
Weight	195g(with battery pack)		
Power supply	Main battery	Lithium-ion battery pack(1700 mAh)	
	Backup battery	Rechargeable lithium battery	
Environment	Operating temperature	23 - 122 degree F./(-5 - 50 degree C.)	
	Operating humidity	20 - 80%(without dew condensation)	
	Storage temperature	14 - 140 degree F./(-10 - 60 degree C.)	
	Storage humidity	10 - 90%(without dew condensation)	
	Water proof	JIS class II	
	Drop impact strength	1.2 m	
Clock	Date, Time(correct leap years automatically)		
Operating Time	10 h(1 time reading and RF communication every 20 s)		
Interface	IrDA(IrDA SIR 1.2 Low Power Option), RS-232C		
Radio	Certificate	IEEE 802.11b	
	Modulation	Spread Spectrum(Direct Sequence)	
	Frequency	2.4 GHz Range	
	Speed	11/5.5/2/1 Mbps	
	Distance	Indoor: approx. 75m(246ft.), Outdoor: approx. 210m(689ft.)	

System Example



Accessories

- | | |
|--------------|---|
| •HBC-51 | Battery pack |
| •HQC-51 | Charger |
| •HQC-54 | Charger(4 slot) |
| •HIF-51 | Optical communication unit |
| •HDC-51 | Protective cover |
| •WRS-AXC003A | RS-232C communication cable(Connect HIF-51 to PC) |
| •HOP-C031 | RS-232C communication cable(Connect CTR-800-11W to PC) |
| •HOP-C033 | RS-232C communication cable(Connect CTR-800-11W to label printer) |
| •STP-C001A | Shielded twist-pair cable(Connect HIF-51 each other) |

Welcat Inc.

IWATA Bldg. 1-17-12 Shin-Yokohama, Kouhoku-ku
Yokohama-shi KANAGAWA 222-0033 JAPAN
phone:+81-045-474-9800

Microwave Coaxial Connectors



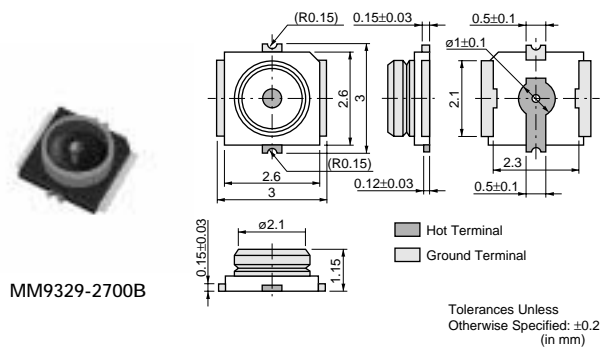
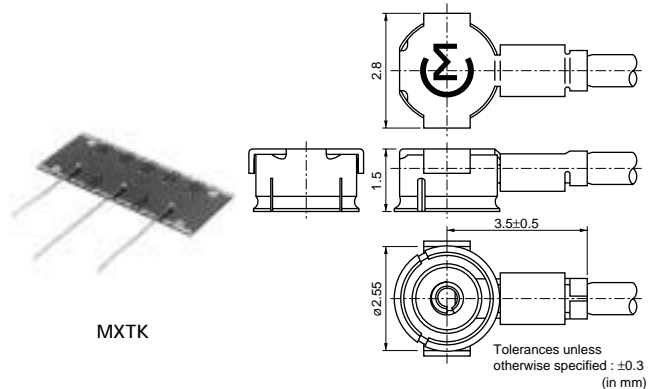
Ultra-Miniature SMT GSC Type

■ Features

1. The mating height is only 2mm maximum by new mechanical design. Suitable for low profile design.
2. Receptacle size is 3.0x3.0mm. Suitable high density
3. New mating mechanical design makes stable feeling connection.
4. High performance with wide frequency range (DC to 6GHz). V.S.W.R. at DC to 3GHz is 1.2 maximum. V.S.W.R. at 3GHz to 6GHz is 1.3 maximum.
5. Surface mountable and reflow solderable.
6. Tape package available.

■ Applications

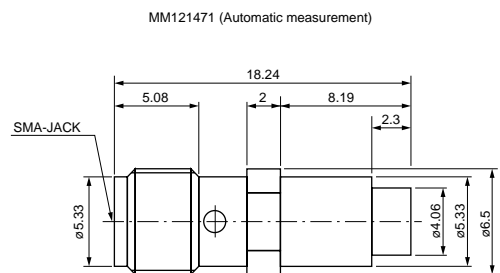
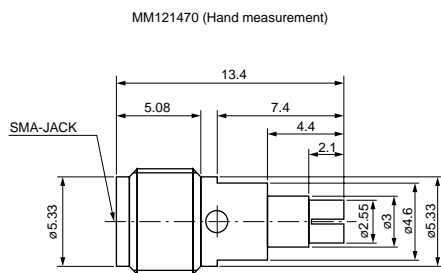
Portable telephone, cordless telephone(analog and digital), GPS, and other microwave radio and measurement equipment.



Part Number	Rated Voltage (V)	Contact Resistance (ohm)	Withstanding Voltage (rms)	Insulation Resistance (M ohm)	Durability (cycles)	Frequency Rating (GHz)	Temperature Range (degree C)	VSWR	Center Contact	Outer Contact	Insulator
MM9329-2700B	250	0.015 max.	300 (AC)	500 min.	100	DC - 6.0	-40~+90	1.2 max. (DC-3GHz)	Copper Alloy Gold plated	Copper Alloy Silver plated	Engineering plastic

Impedance : 50 ohm

■ Measurement Probe Dimensions (for Receptacle)



(in mm)

Continued on the following page.

