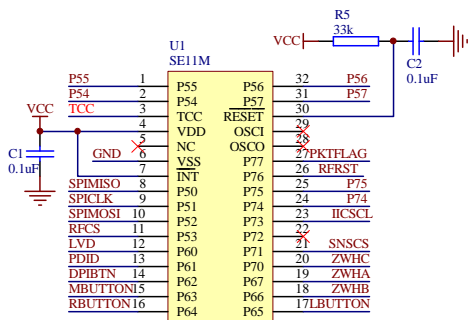
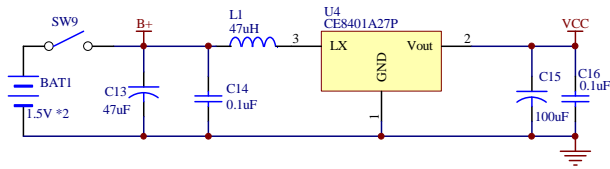
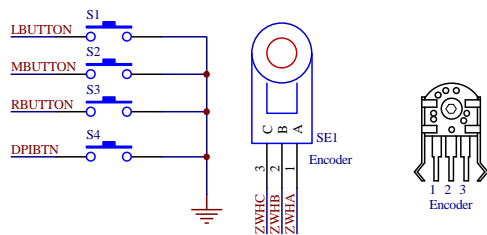
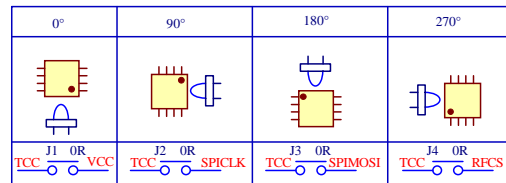
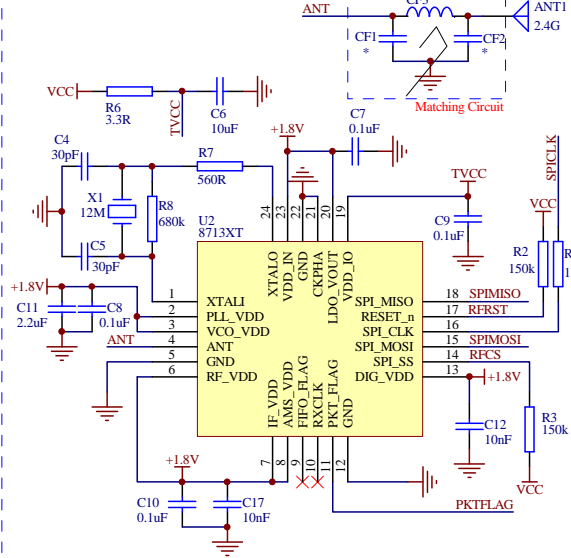


Main Circuit

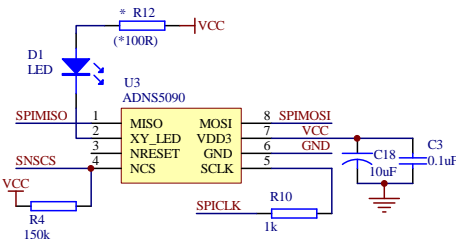
Sensor direction select



RF Circuit



Sensor Circuit



Creat		SE11 Series	
Check		SE11M(5090)	
Standard		2.4G Wireless Mouse	Grade: A 1 OF 1
Approve		Electrical Diagrams	ShenZhen Semitek Co.,Ltd
		V1.62	