

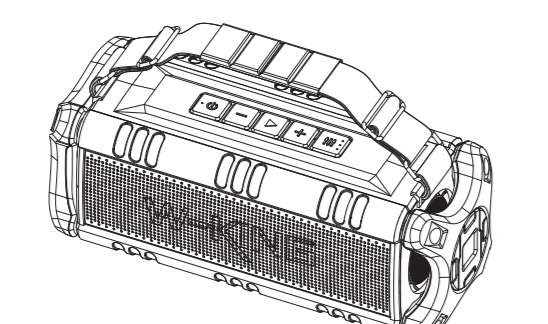
尺寸: 100×120mm 材质: 128g 双铜 骑马订

W-KING®

CN, 518109, Guangdong, Shenzhen, Longhua, Fucheng Street, Zhangge Community, Zhangge Road, NO.142, Building 1, Room 301
Tel: +86-755-36690577
Fax: +86-755-36815032
Amazon E-mail: support.amazon@w-king.com
Walmart E-mail: support.walmart@w-king.com
www.w-king.com

CE FC RoHS PS

W-KING®



User Manual
D8 Outdoor Wireless Speaker

W-KING® is a registered trademark in the U.S. and European Union. All rights reserved.

CONTENTS

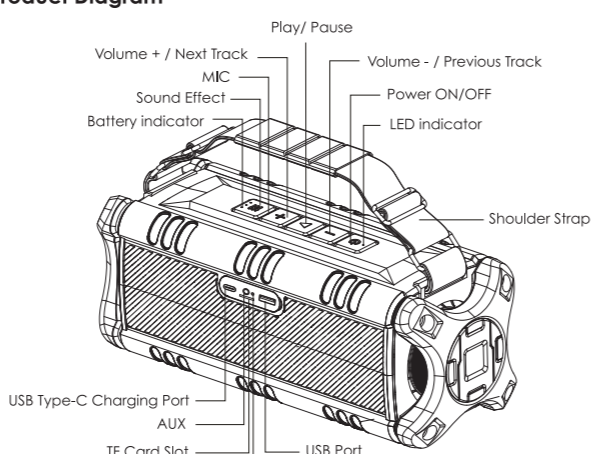
English 01 - 08

Thank you for purchasing the W-KING D8 Outdoor Wireless Speaker. Please read this user manual carefully and keep it for future reference. If you need any assistance, please contact our support team with your product model number and order number.

Customer Support E-mail: Amazon E-mail: support.amazon@w-king.com
Walmart E-mail: support.walmart@w-king.com

Package Contents
D8 Outdoor Wireless Speaker
USB Type-C Charging Cable
3.5mm Audio Cable
User Manual

Product Diagram



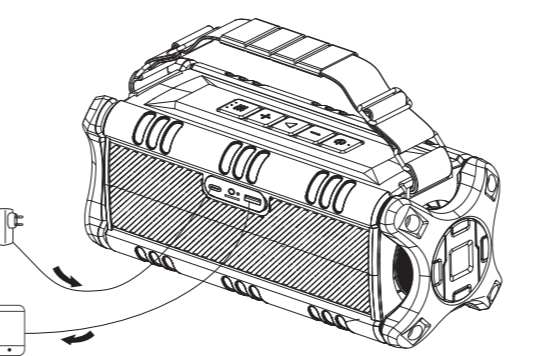
Volume + / Next Track, Play / Pause, Volume - / Previous Track, Power ON/OFF, LED Indicator, Shoulder Strap, USB Type-C Charging Port, AUX, TF Card Slot, USB Port, Reset, MIC, Sound Effect, Battery Indicator

Specifications

Model Number	D8
Technology	BT5.0, A2DP, AVRCP, HSP, HFP
Power Input	DC 5V
Speaker Output Power	50W
Drivers Unit	Woofer, 70mm, 4Ω, 25W x 2 Tweeter, 8Ω, 10W x 2
Frequency Response	60Hz - 20KHz
Signal-to-Noise Ratio	≥80dB
Charging Time	5-6 hours
Play Time	30 hours(at the lowest volume)
Operating Range	Up to 10m / 33ft
Battery Type	5200 mAh
Battery Voltage	7.2V
Operating Temperature	0°C - 40°C / 32°F - 104°F
Dimensions	320 x 121 x 118mm / 12.60" x 4.76" x 4.65"
Net Weight	2399.3g / 84.6oz
True Wireless Stereo	Yes
Phone/Tablet Charging	Yes
TF Card Play	Yes

Charging
Fully charge this speaker before first use. Connect it to a USB charger or charging port with the included USB Type-C charging cable to charge. When there are 3 solid white lights, your speaker is fully charged and ready for use. Charging takes around 4 hours.

Note
Please use 5V/2A power adapter to charge your speaker. Power adapter is NOT INCLUDED.



Power On / Off
Long press the ON/OFF button for 2-3 seconds to power on or off (LED indicator flashes blue or off)

Pairing

- When you turn on the speaker, the speaker will automatically enter pairing mode and the LED indicator will start to flash blue rapidly
- Activate the pairing function on your phone or other compatible device and select "W-KING D8"
- If a code or pin is required for pairing, please enter "0000"
- When successfully paired, the LED indicator will stay blue

Notes

- To reset the speaker (to clear the pairing list or any program errors), use a straightened paper clip or a toothpick to carefully short-press the reset hole
- The speaker will automatically shut down after 10 minutes in pairing mode if no devices are paired
- If your paired device is switched off or manually disconnected, the speaker will enter pairing mode and automatically shut down after 10 minutes
- If the speaker or connected device exceeds the operating range, the speaker will disconnect. The connection to the last successfully connected device will be re-established once you re-enter wireless range within 10 minutes. To connect to other devices, please repeat the previous "Pairing" steps

Playing Audio via Audio Input Connection

- Connect the D8 to your PC, laptop, or other device with audio output port using the included 3.5mm audio cable
- Long press the on/off button for 2-3 seconds to turn on, and the LED indicator will light up solid green

Notes

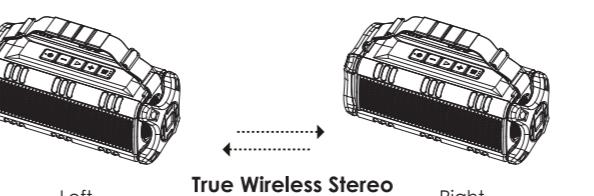
- The speaker will disconnect from your phone or other paired device when an audio cable is plugged into the audio input jack
- When playing audio using the audio input jack, press the volume + / - to adjust the volume and short-press play/pause to pause or resume. Next/previous track control on the speaker is disabled in audio input mode
- For some computers, you may need to access the audio control panel to manually set the speaker as the default audio device

Charging Phone/Tablet

- Connect your phone/tablet to the USB port of the D8 speaker
- Turn on the speaker, your device will be charged automatically
- Turn off the speaker to discharge your device

Adjust Sound Effect
Short press the sound effect button "↑ ↓ ↑" to adjust sound effect

True Wireless Stereo Pairing



Left True Wireless Stereo Right

1. Turn on both of your D8 speaker simultaneously, you will see blue LED indicator flashes rapidly on the two devices

2. Select one speaker as the leading speaker, double press the ON/OFF button to start pairing.

3. After successfully paired, the blue LED indicator of the leading speaker flashes slowly and the secondary speaker LED keeps bright blue

4. Turn on your phone's Bluetooth, search "W-KING D8" and connect. The blue LED indicator of the leading speaker keeps bright. The two speakers will play music simultaneously when complete pairing

5. To disconnect True Wireless Stereo pairing, press the volume button "+" and "-" at the same time, you will see blue LED flashes rapidly on the secondary speaker, that means True Wireless Stereo unpaired successfully

Controls & LED Indicators

Functions	Instructions
Adjust volume	Short press volume button + / -
Pause / Resume	Short press play/pause button
Next / Previous track	Long press + / - to Next / Previous track
Cancel pairing	When connected, press volume button + and - at the same time
Answer / End a call	Short press the play/pause button once
Reject an incoming call	Long press the play/pause button for 2 seconds
Recial last-called number	Long press the play/pause button

LED Indicator	Status
Blue flashing rapidly	Pairing mode / Disconnected
Solid blue	Connected
Solid green	Audio input mode
Alarm Warning	Low battery
White light flashing rapidly	Charging
3 white lights are always on	Fully charged

Product Care & Use

- Keep away from liquids, extreme heat, and strong magnetic fields
- Do not use this speaker at high volume for extended periods, as this may cause permanent hearing damage or loss

Warranty & Customer Support

For questions, support, or warranty claims, contact us at
Amazon E-mail: support.amazon@w-king.com
Walmart E-mail: support.walmart@w-king.com
Please contact us with your region, order number and product model.

*Please note, W-KING can only provide after sales service for products purchased directly from our official online store. If you have purchased from a different seller, please contact them directly for service or warranty issues.

Notice for US
Changes or modifications not expressly approved by the party responsible for compliance could void the user's authority to operate the equipment. This device complies with Part 15 of the FCC Rules. Operation is subject to the following two conditions:

- This device may not cause harmful interference, and
- This device must accept any interference received, including interference that may cause undesired operation

FCC Rules

This equipment has been tested and found to comply with the limits for a Class B digital device, pursuant to part 15 of the FCC Rules. These limits are designed to provide reasonable protection against harmful interference in a residential installation. This equipment generates uses and can radiate radio frequency energy and, if not installed and used in accordance with the instructions, may cause harmful interference to radio communications. However, there is no guarantee that interference will not occur in a particular installation. If this equipment does cause harmful interference to radio or television reception, which can be determined by turning the equipment off and on, the user is encouraged to try to correct the interference by one or more of the following measures:

- Reorient or relocate the receiving antenna
- Increase the separation between the equipment and receiver
- Connect the equipment into an outlet on a circuit different from that to which the receiver is connected
- Consult the dealer or an experienced radio/TV technician for help

Caution
Changes or modifications made to this device not expressly approved by W-KING may void the FCC authorization to operate this equipment.

Federal Communications Commission (FCC) Statement. This device complies with part 15 of the FCC Rules. Operation is subject to the following two conditions:

- (1) This device may not cause harmful interference, and
- (2) this device must accept any interference received,

including interference that may cause undesired operation. Note: This equipment has been tested and found to comply with the limits for a Class B digital device, pursuant to part 15 of the FCC Rules. These limits are designed to provide Reasonable protection against harmful interference in a residential installation. This equipment generates, uses and can radiate radio frequency energy and, if not installed and used in accordance with the instructions, may cause harmful interference to radio communications. However, there is no guarantee that interference will not occur in a particular installation. If this equipment does cause harmful interference to radio or television reception, which can be determined by turning the equipment off and on, the user is encouraged to try to correct the interference by one or more of the following measures:

- Reorient or relocate the receiving antenna.
- Increase the separation between the equipment and receiver.
- Connect the equipment into an outlet on a circuit different from that to which the receiver is connected.
- Consult the dealer or an experienced radio/TV technician for help.

Warning: Changes or modifications made to this device not expressly approved by **SHENZHEN WEIKING TECHNOLOGY CO., LTD** may void the FCC authorization to operate this device. Note: The manufacturer is not responsible for any radio or TV interference caused by unauthorized modifications to this equipment. Such modifications could void the user's authority to operate the equipment.

RF exposure statement:

The device complies RF exposure requirement and can be installed and used without restriction