

Installation Sheet: LEGIC Proximity Reader (LPR-10M)

Introduction & Preparation

LPR-10M Price List	
120-510520	Mullion Mount Reader unit Kit with:
009-510655-2	1 spacer
890-510752	2 screws for steel, concrete or drywall
999-510754	2 concrete screw anchors (white)
999-510753	2 drywall nylon grip plugs
009-510655-3	Self-adhesive fascia with foil LED
009-510655-4	Self-adhesive fascia with foil logo

Requirements

- Millenium DCD circuit board with an EPROM issue level “Y” or higher (a paper label on the DCD EPROM chip identifies the issue level).
- Millenium software release 3.0 or higher.

Mullion Mount

- Mullion having a minimum width of 1.80”.
- External dimensions:
 - Height: 3 _ ” (90 mm)
 - Width: 1 _ ” (46 mm)
 - Projection: _ ” (21 mm)
- 3/4” hole drilled in the mullion front face for passing the reader cable.
- Two other holes must also be drilled – see Table 1 below for dimensions of holes according to material to be drilled.
- Two # 4 – 1 _ ” (32 mm) Phillips pan zinc plated screws supplied with the reader kit.
- Millenium DCD circuit board with an EPROM issue level “Y” or higher. (A paper label on the DCD EPROM chip identifies the issue level)
- Millenium software release 3.0 or higher.

Installation

1. Drill one _ ” (21 mm) hole for passing the reader cable through.
1. Drill two holes for fixing the reader to the surface (see Table below for dimensions of hole appropriate for type of surface material).
1. Affix the reader using the two # 4 – 1 _ ” (32 mm) Phillips pan zinc plated screws supplied with the reader kit.
1. An installation diagram (Figure 1) is in the left-hand column of this sheet.

Table 1

Surface Material	Diameter of “A” Holes	Plugs
Metal	5/64” (2 mm)	N/A
Concrete	3/16” (4 mm)	concrete screw anchors
Drywall	3/16” (4 mm)	drywall nylon grip plugs

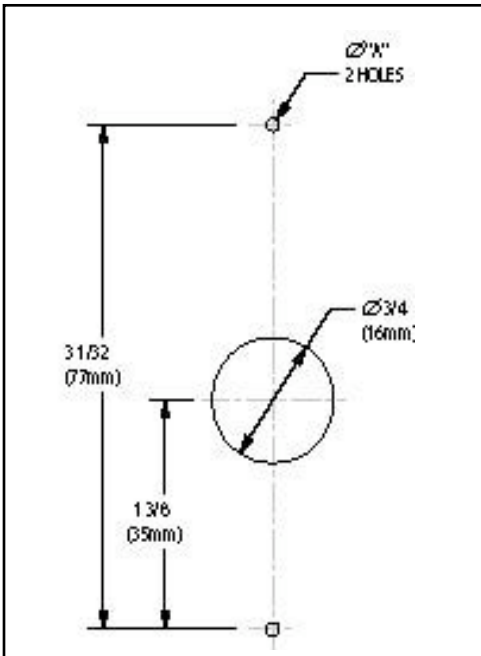


Figure 1: Installation Diagram