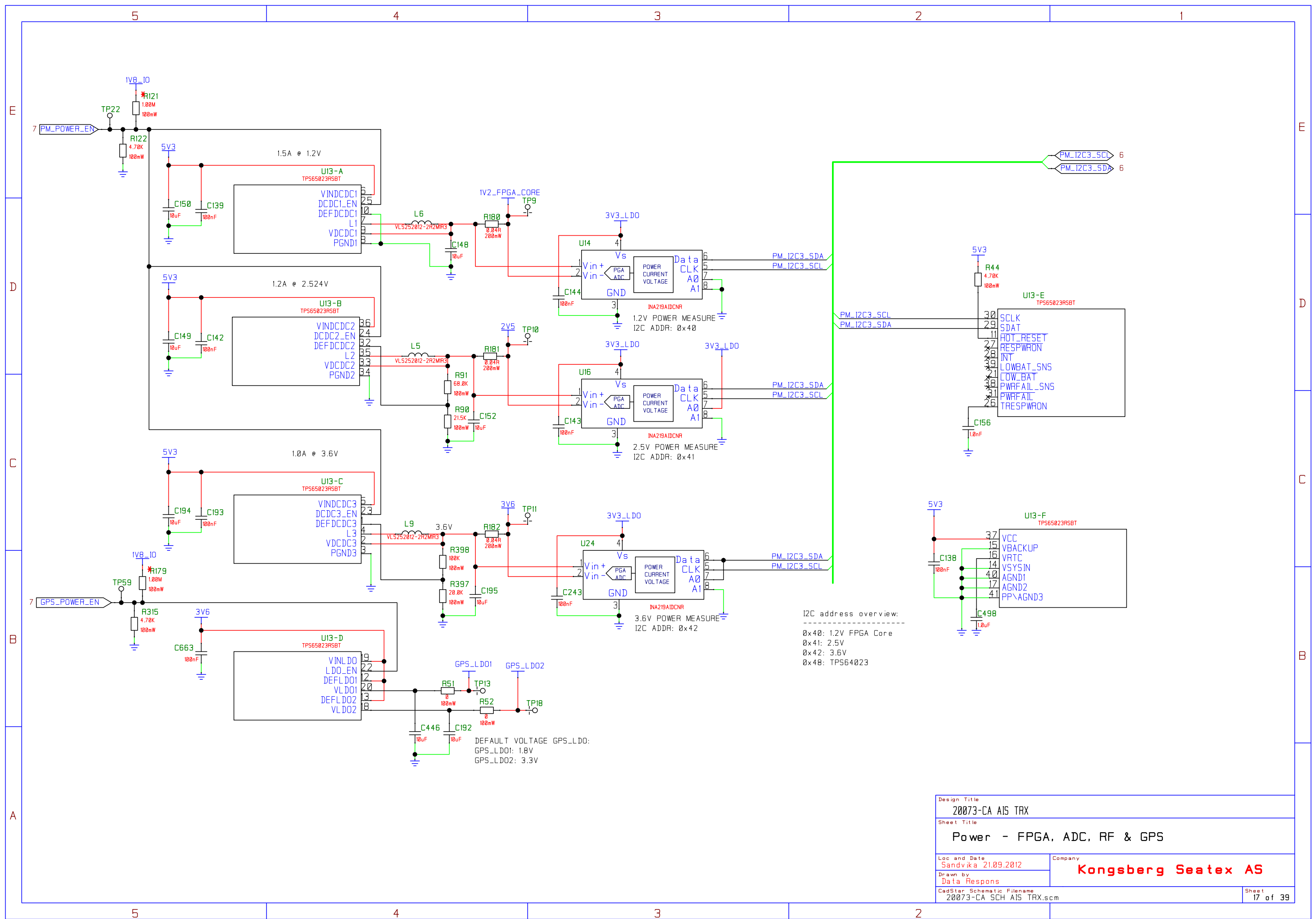


I2C address overview:
 0x40: 12V supply
 0x41: 5V
 0x42: 1.2V CPU Core
 0x43: 1.8V IO
 0x44: 1.8V DDR2
 0x48: TPS64023

Design Title		20073-CA AIS TRX	
Sheet Title		Power - CPU & Interface	
Loc and Date	Sandvika 21.09.2012	Company	Kongsberg Seatex AS
Drawn by	Data Respons		
CadStar Schematic Filename		20073-CA SCH AIS TRX.scm	
			Sheet 16 of 39

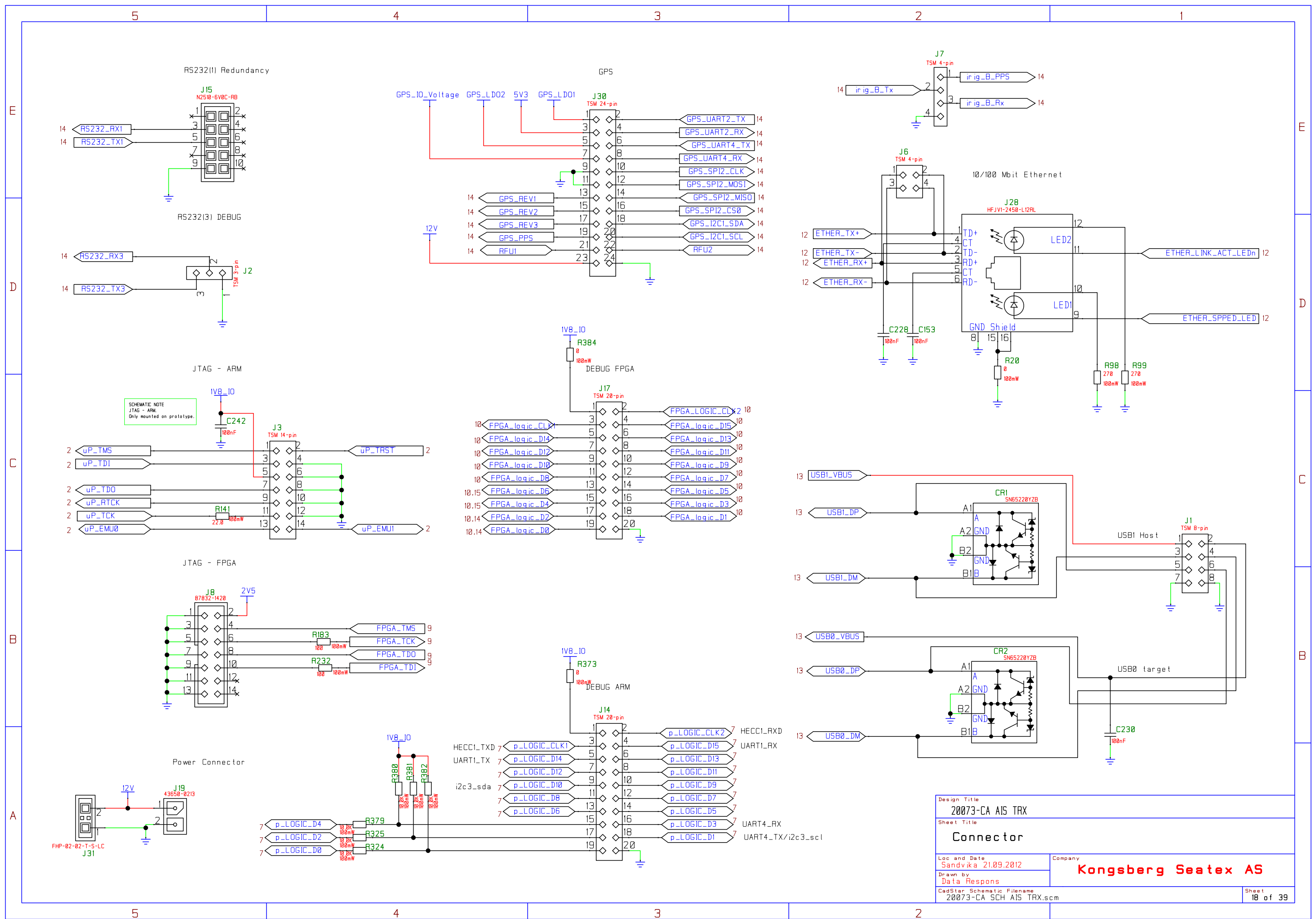


I2C address overview:

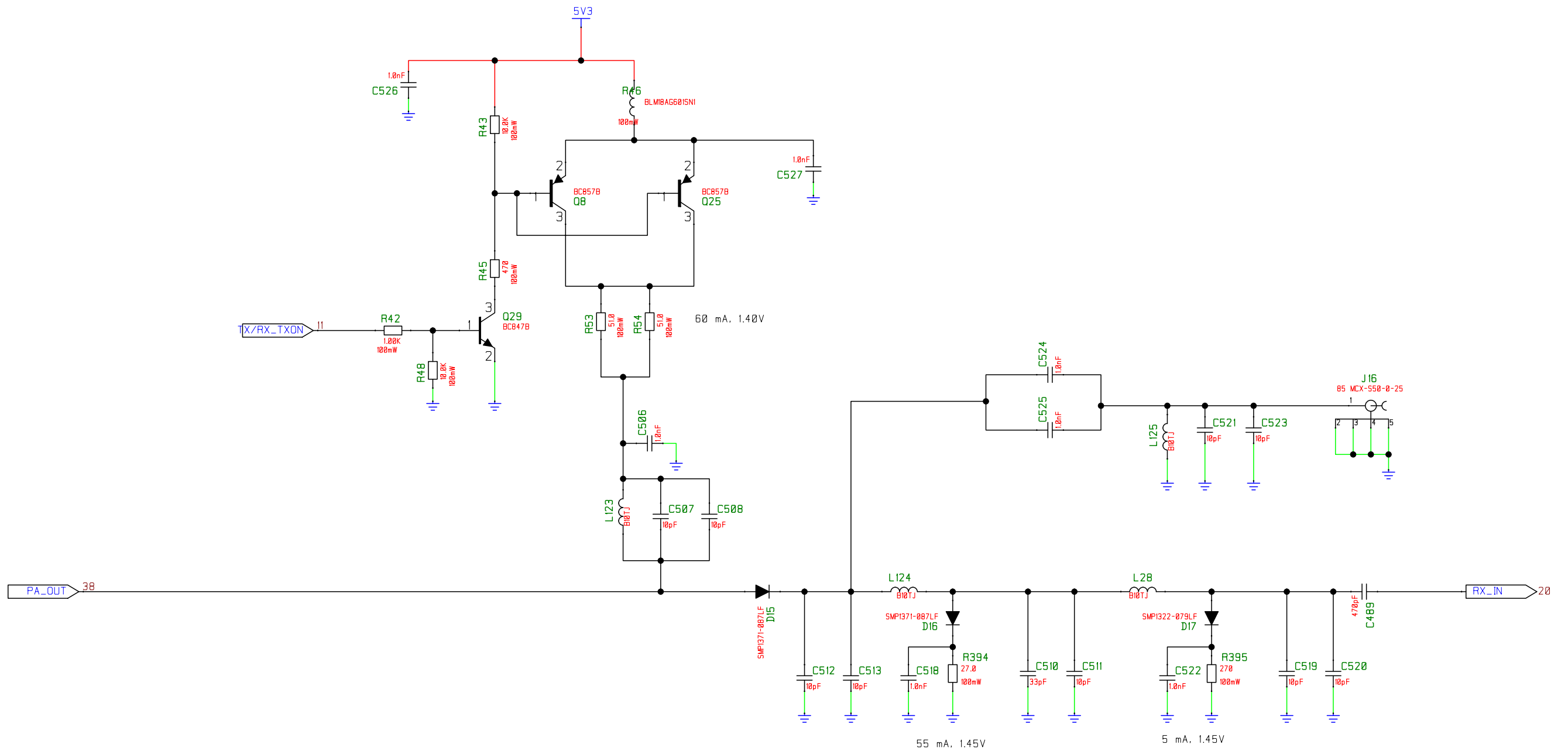
 0x40: 1.2V FPGA Core
 0x41: 2.5V
 0x42: 3.6V
 0x48: TPS64023

DEFAULT VOLTAGE GPS_LDO:
 GPS_LDO1: 1.8V
 GPS_LDO2: 3.3V

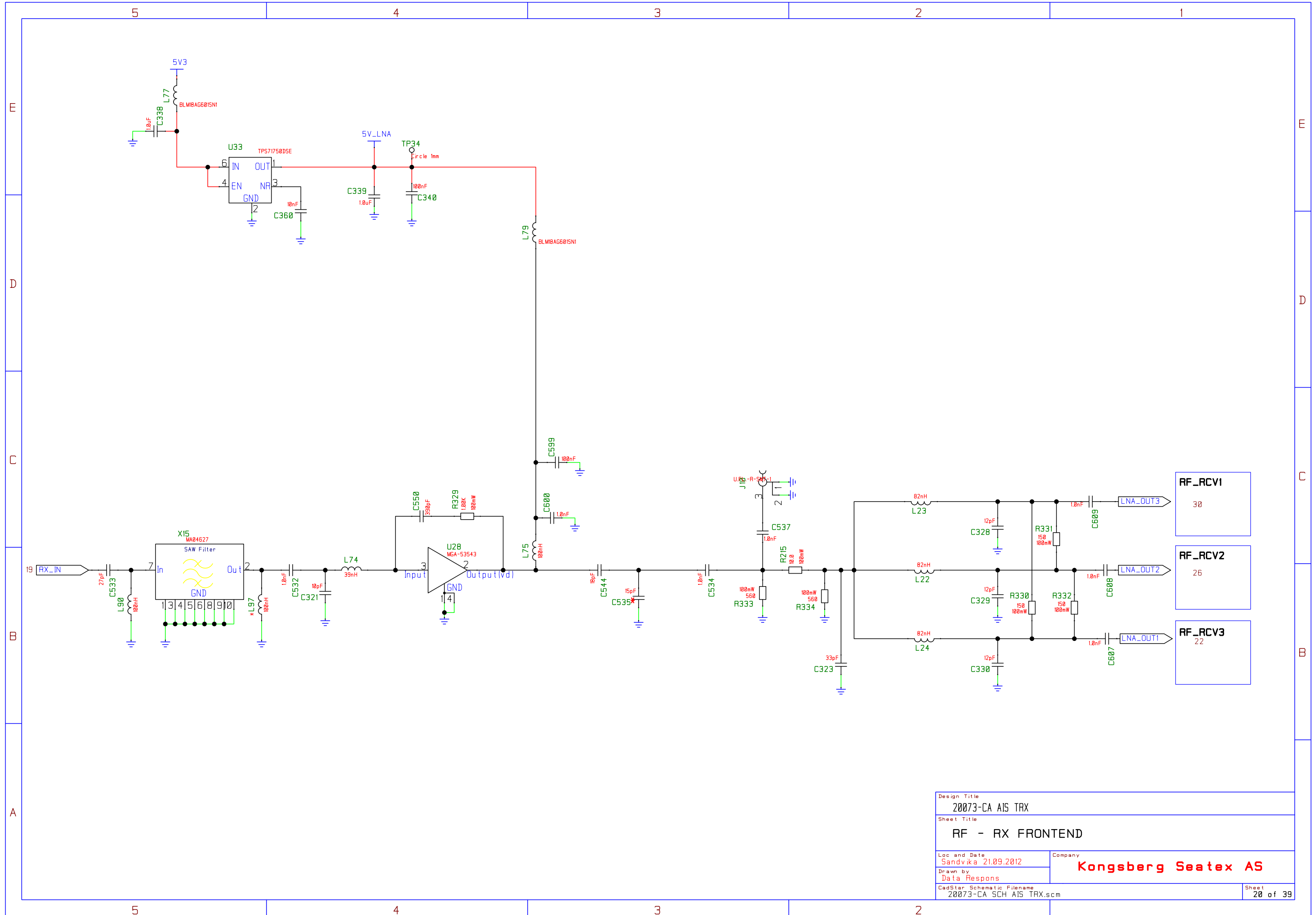
Design Title	
20073-CA AIS TRX	
Sheet Title	
Power - FPGA, ADC, RF & GPS	
Loc and Date	Company
Sandvika 21.09.2012	Kongsberg Seatex AS
Drawn by	
Data Respons	
CadStar Schematic Filename	Sheet
20073-CA SCH AIS TRX.scm	17 of 39



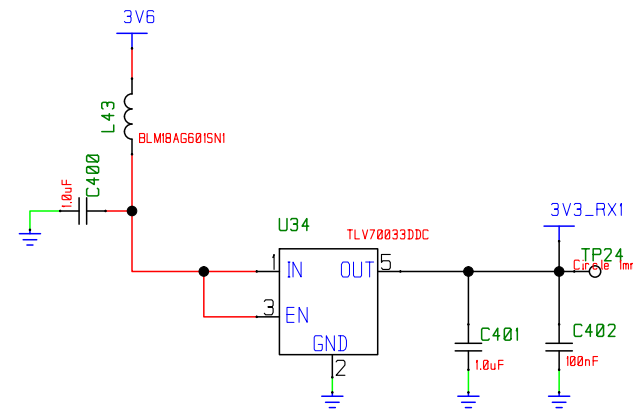
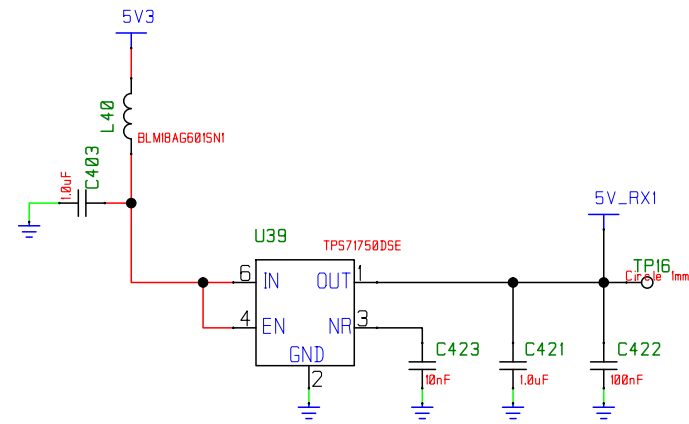
Design Title		20073-CA AIS TRX	
Sheet Title		Connector	
Loc and Date	Sandvika 21.09.2012	Company	Kongsberg Seatex AS
Drawn by	Data Respons		
CadStar Schematic Filename			Sheet
20073-CA SCH AIS TRX.scm			18 of 39



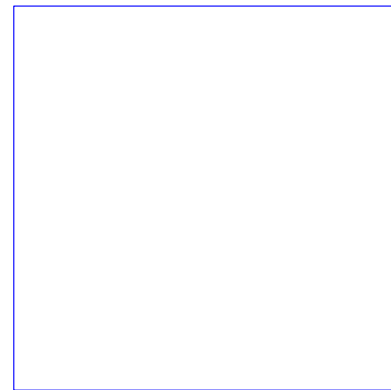
Design Title	
20073-CA AIS TRX	
Sheet Title	
RF - ANTENNA SWITCH	
Loc and Date	Company
Sandvika 21.09.2012	Kongsberg Seatex AS
Drawn by	
Data Respons	
CadStar Schematic Filename	Sheet
20073-CA SCH AIS TRX.scm	19 of 39



Design Title		20073-CA AIS TRX	
Sheet Title		RF - RX FRONTEND	
Loc and Date	Sandvika 21.09.2012	Company	Kongsberg Seatex AS
Drawn by	Data Respons		
CadStar Schematic Filename			Sheet
20073-CA SCH AIS TRX.scm			20 of 39



RF_RX_VCO1



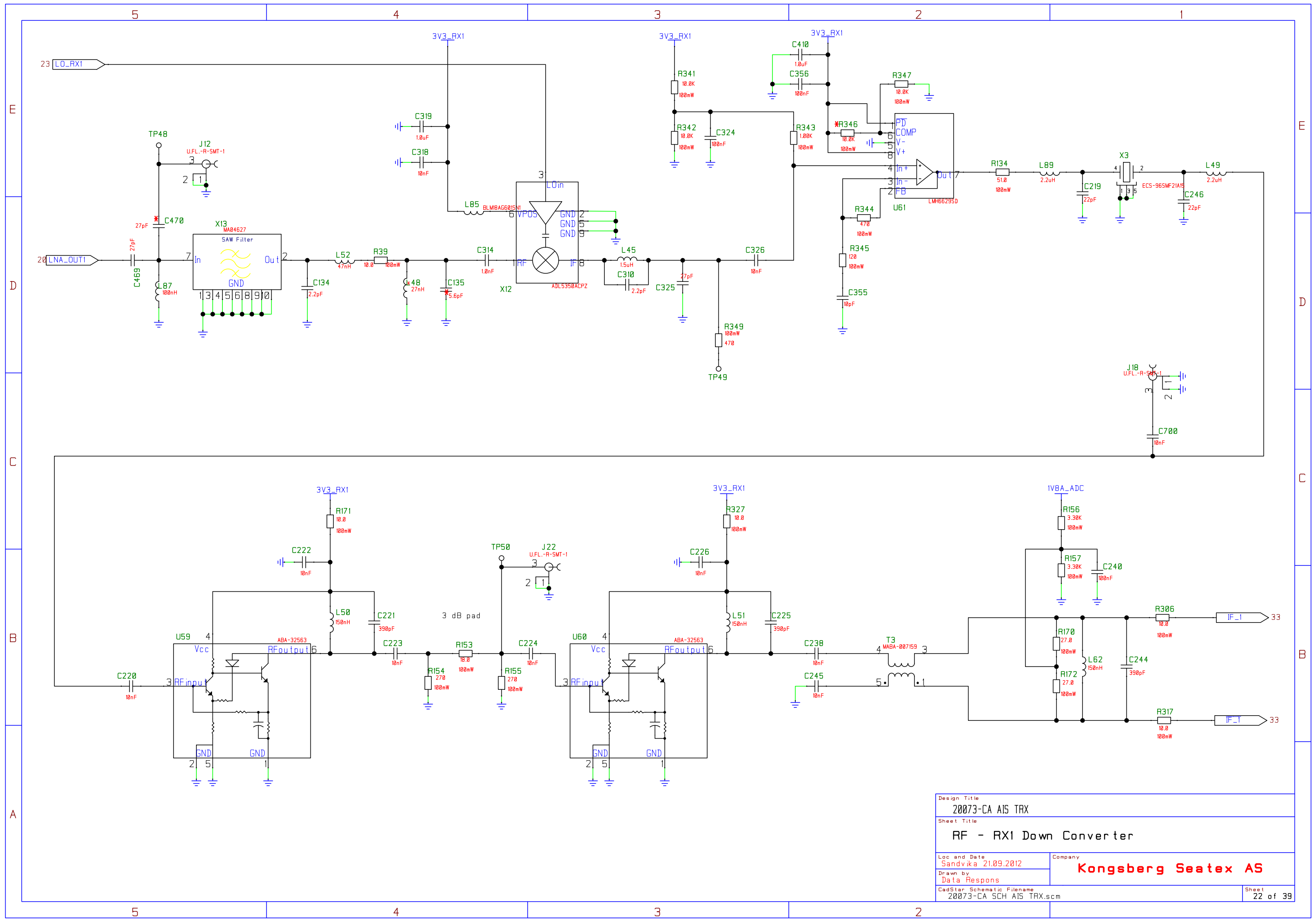
RF_RX_PLL1



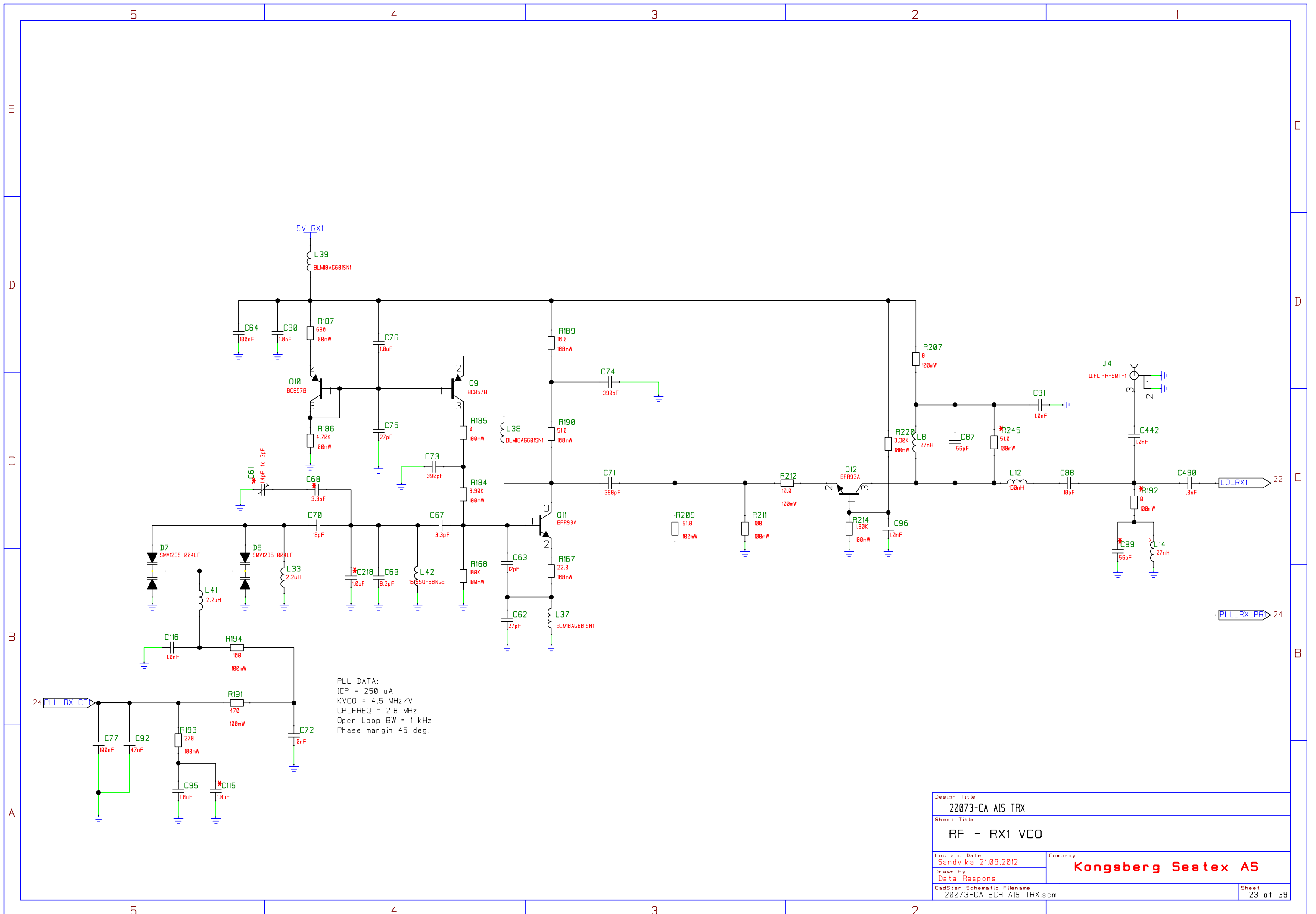
RF_DWN_CONV1



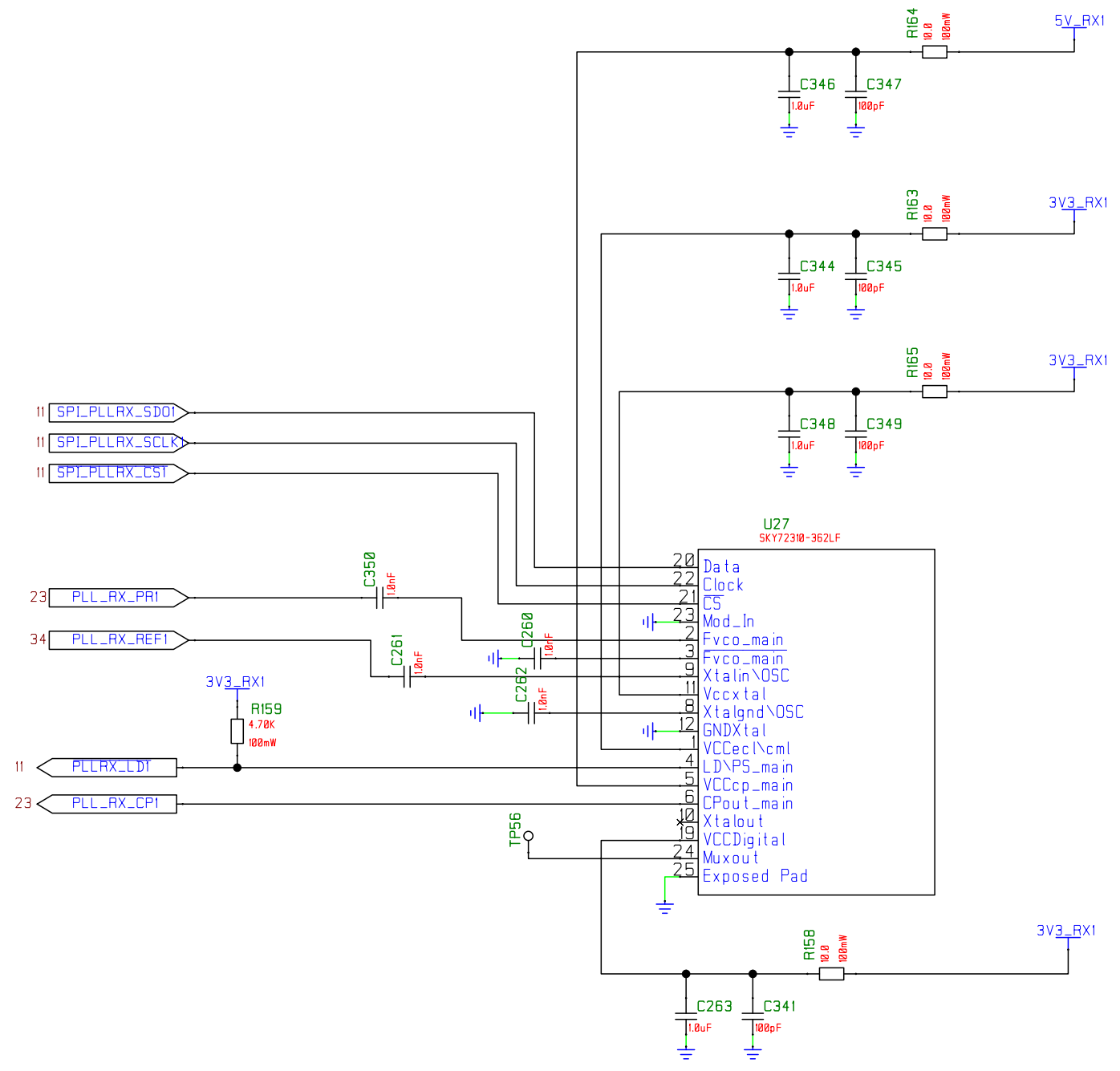
Design Title		20073-CA AIS TRX	
Sheet Title		RF - RX1 VREG	
Loc and Date	Sandvika 21.09.2012	Company	Kongsberg Seatex AS
Drawn by	Data Respons		
CadStar Schematic Filename			Sheet
20073-CA SCH AIS TRX.scm			21 of 39



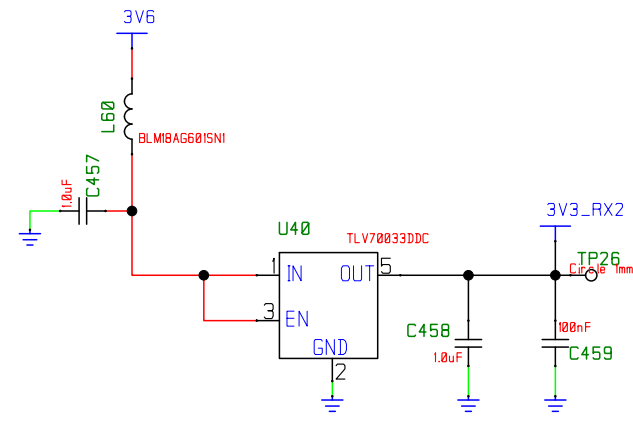
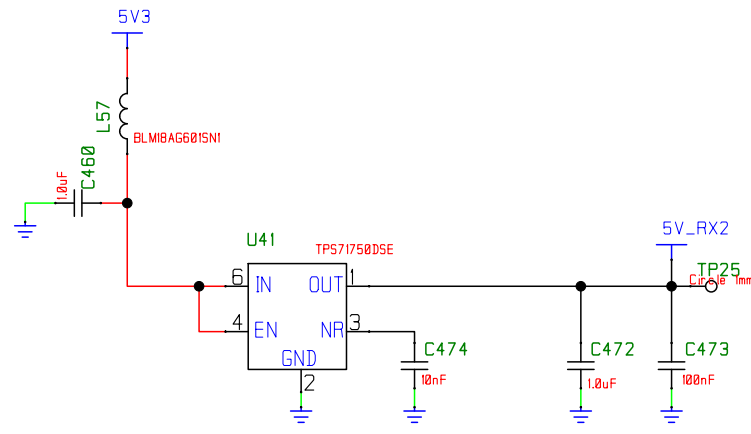
Design Title		20073-CA AIS TRX	
Sheet Title		RF - RX1 Down Converter	
Loc and Date	Company		
Sandvika 21.09.2012	Kongsberg Seatex AS		
Drawn by			
Data Respons			
CadStar Schematic Filename	Sheet		
20073-CA SCH AIS TRX.scm	22 of 39		



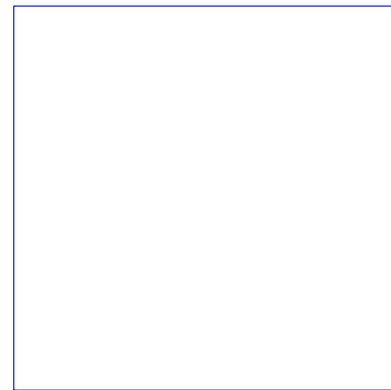
Design Title	
20073-CA AIS TRX	
Sheet Title	
RF - RX1 VCO	
Loc and Date	Company
Sandvika 21.09.2012	Kongsberg Seatex AS
Drawn by	
Data Respons	
CadStar Schematic Filename	Sheet
20073-CA SCH AIS TRX.scm	23 of 39



Design Title		20073-CA AIS TRX	
Sheet Title		RF - RX1 PLL	
Loc and Date	Sandvika 21.09.2012	Company	Kongsberg Seatex AS
Drawn by	Data Respons		
CadStar Schematic Filename			Sheet
20073-CA SCH AIS TRX.scm			24 of 39



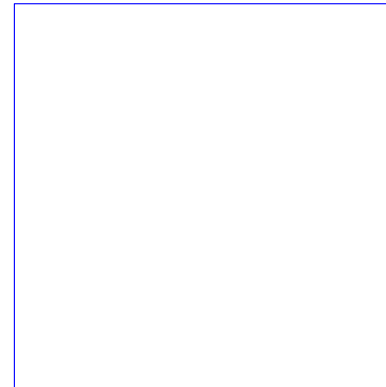
RF_RX_VCO2



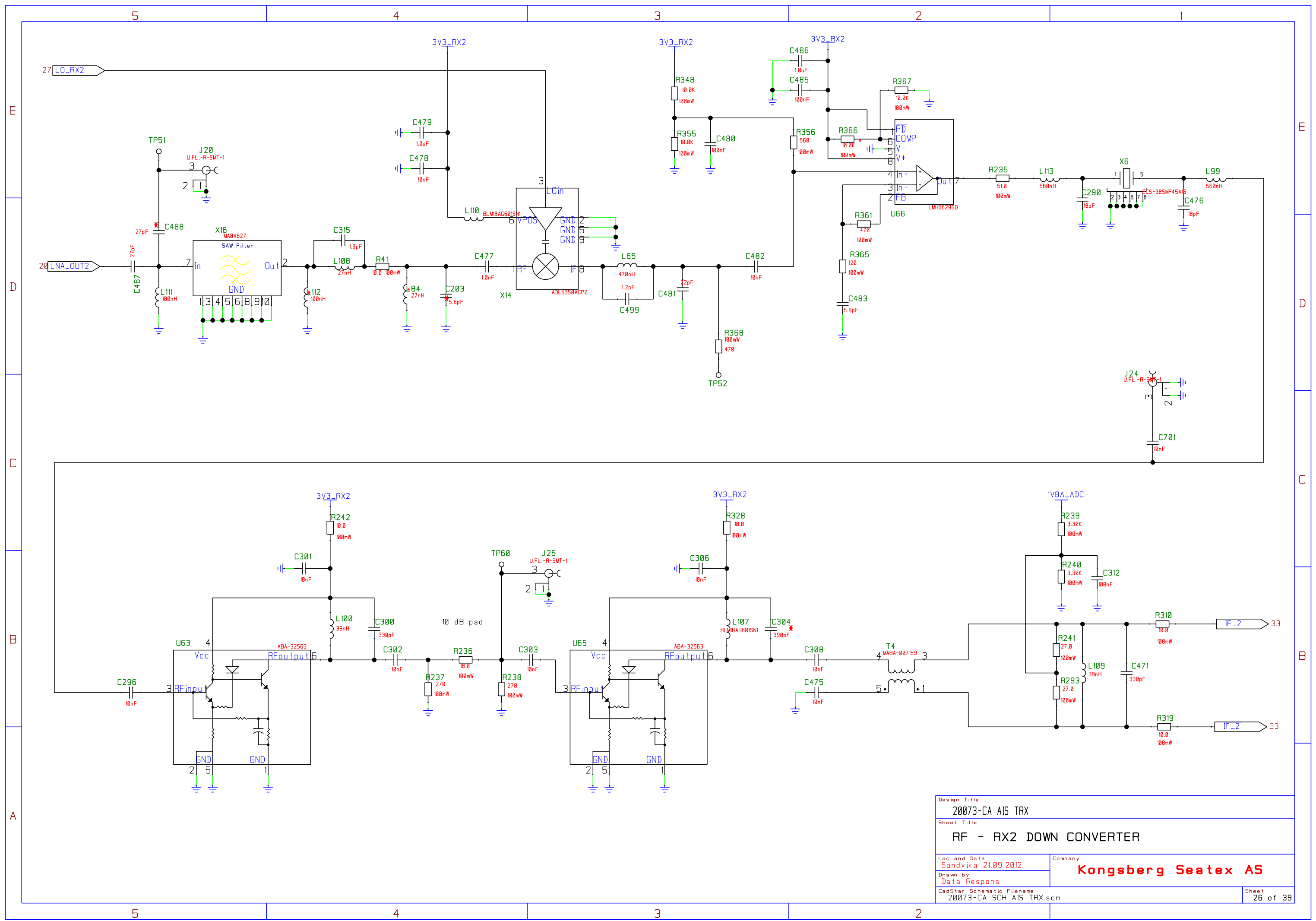
RF_RX_PLL2



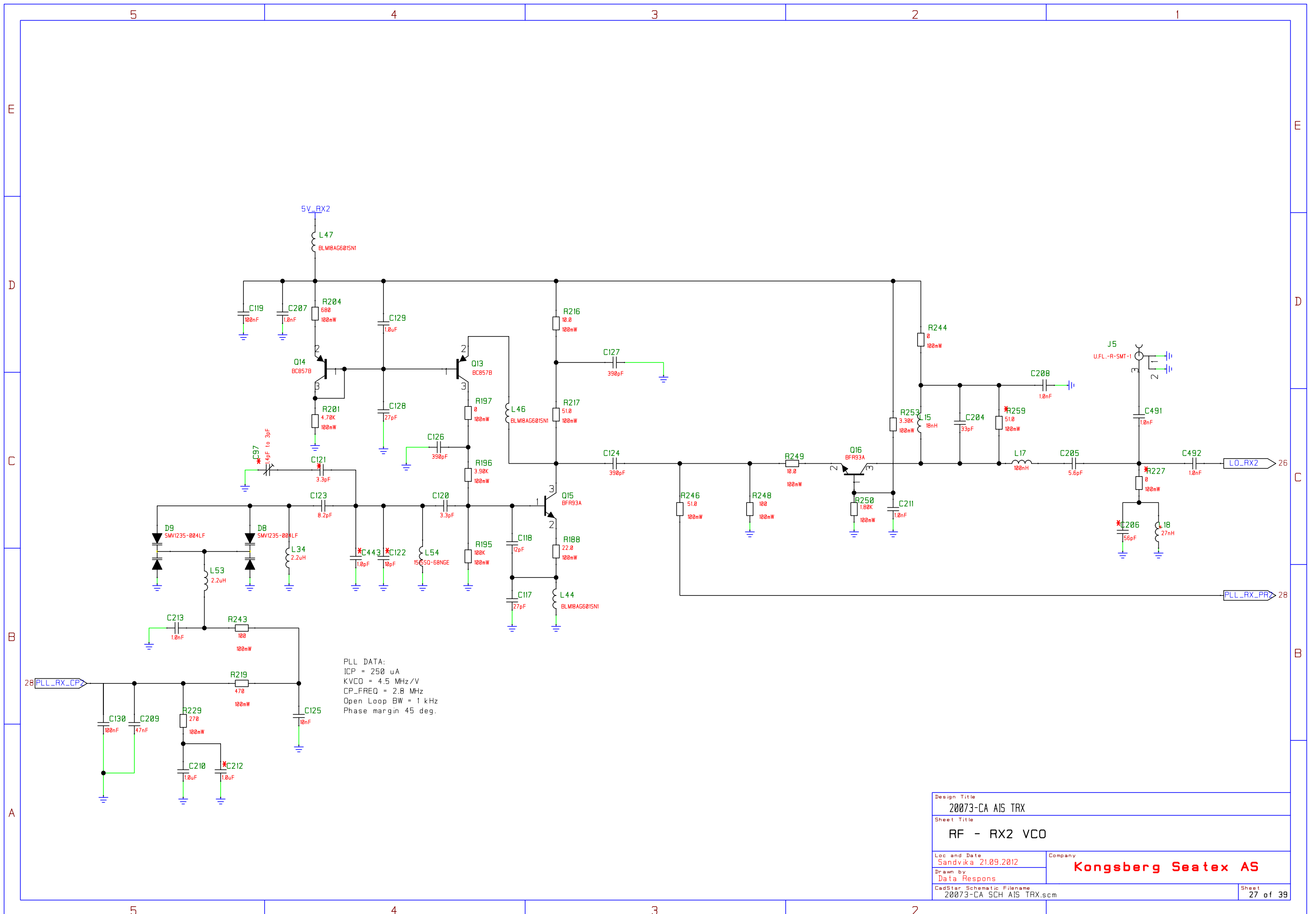
RF_DWN_CONV2



Design Title		20073-CA AIS TRX	
Sheet Title		RF - RX2 VREG	
Loc and Date	Sandvika 21.09.2012	Company	Kongsberg Seatex AS
Drawn by	Data Respons		
CadStar Schematic Filename			Sheet
20073-CA SCH AIS TRX.scm			25 of 39

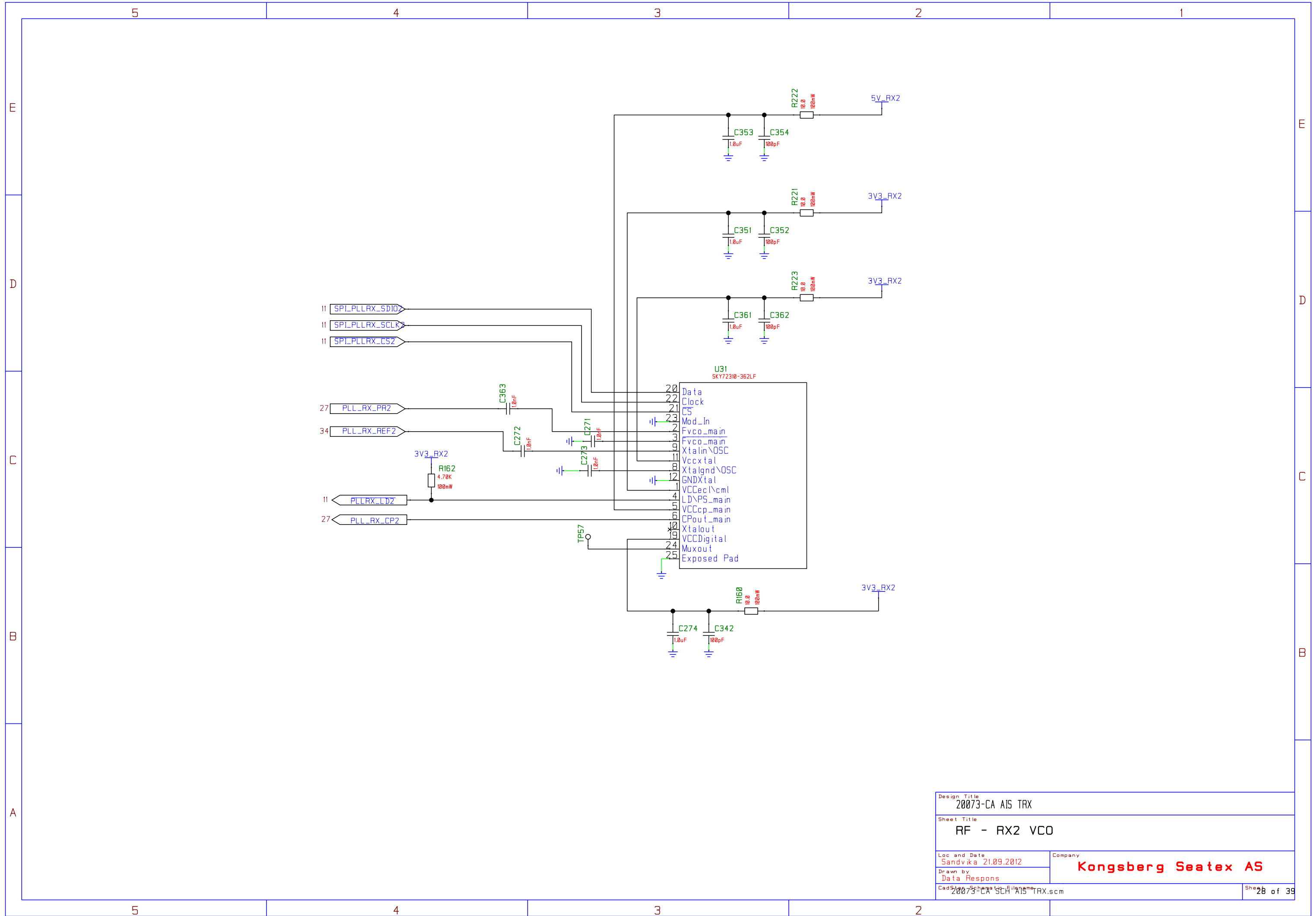


Design Title		20073-CA AIS TRX	
Sheet Title		RF - RX2 DOWN CONVERTER	
Loc and Date	Sandvika	21.09.2012	Company
Drawn by		Kongsberg Seatex AS	
Data Respons			
CadStar Schematic Filename			Sheet
20073-CA SCH AIS TRX.scm			26 of 39

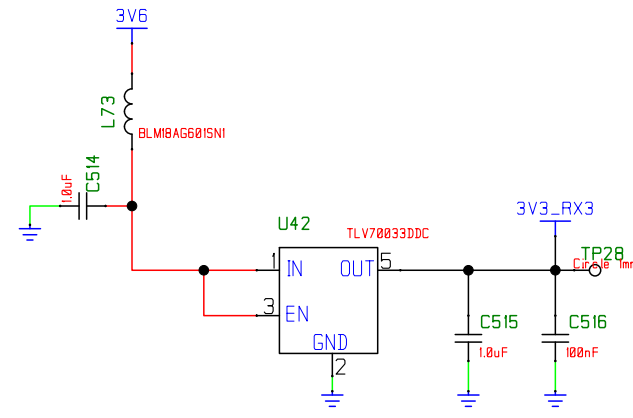
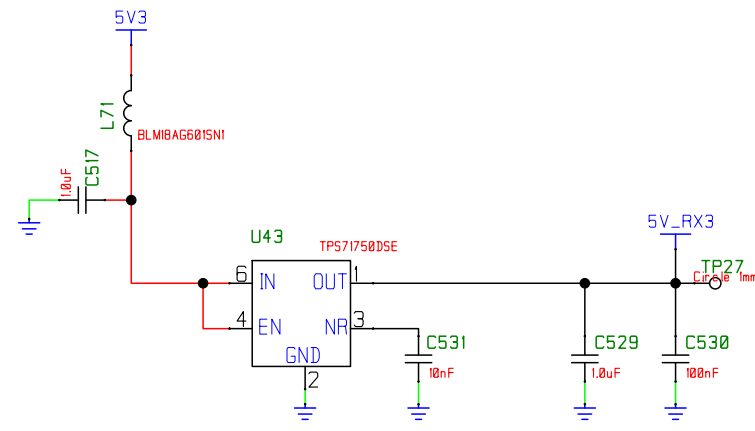


PLL DATA:
 ICP = 250 uA
 KVCO = 4.5 MHz/V
 CP_FREQ = 2.8 MHz
 Open Loop BW = 1 kHz
 Phase margin 45 deg.

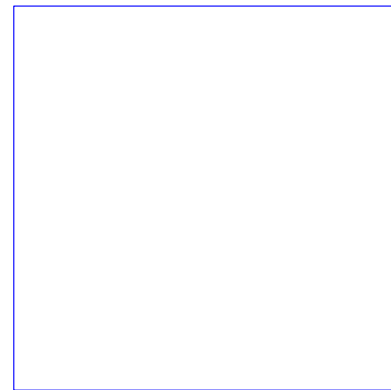
Design Title		20073-CA AIS TRX	
Sheet Title		RF - RX2 VCO	
Loc and Date	Sandvika 21.09.2012	Company	Kongsberg Seatex AS
Drawn by	Data Respons		
CadStar Schematic Filename			Sheet
20073-CA SCH AIS TRX.scm			27 of 39



Design Title		20073-CA AIS TRX	
Sheet Title		RF - RX2 VCO	
Loc and Date	Sandvika 21.09.2012	Company	Kongsberg Seatex AS
Drawn by	Data Respons		
CadStar Schematic File Name			20073-CA AIS TRX.scm
			Sheet 28 of 39



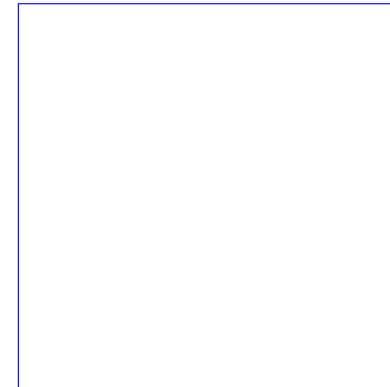
RF_RX_VCO3



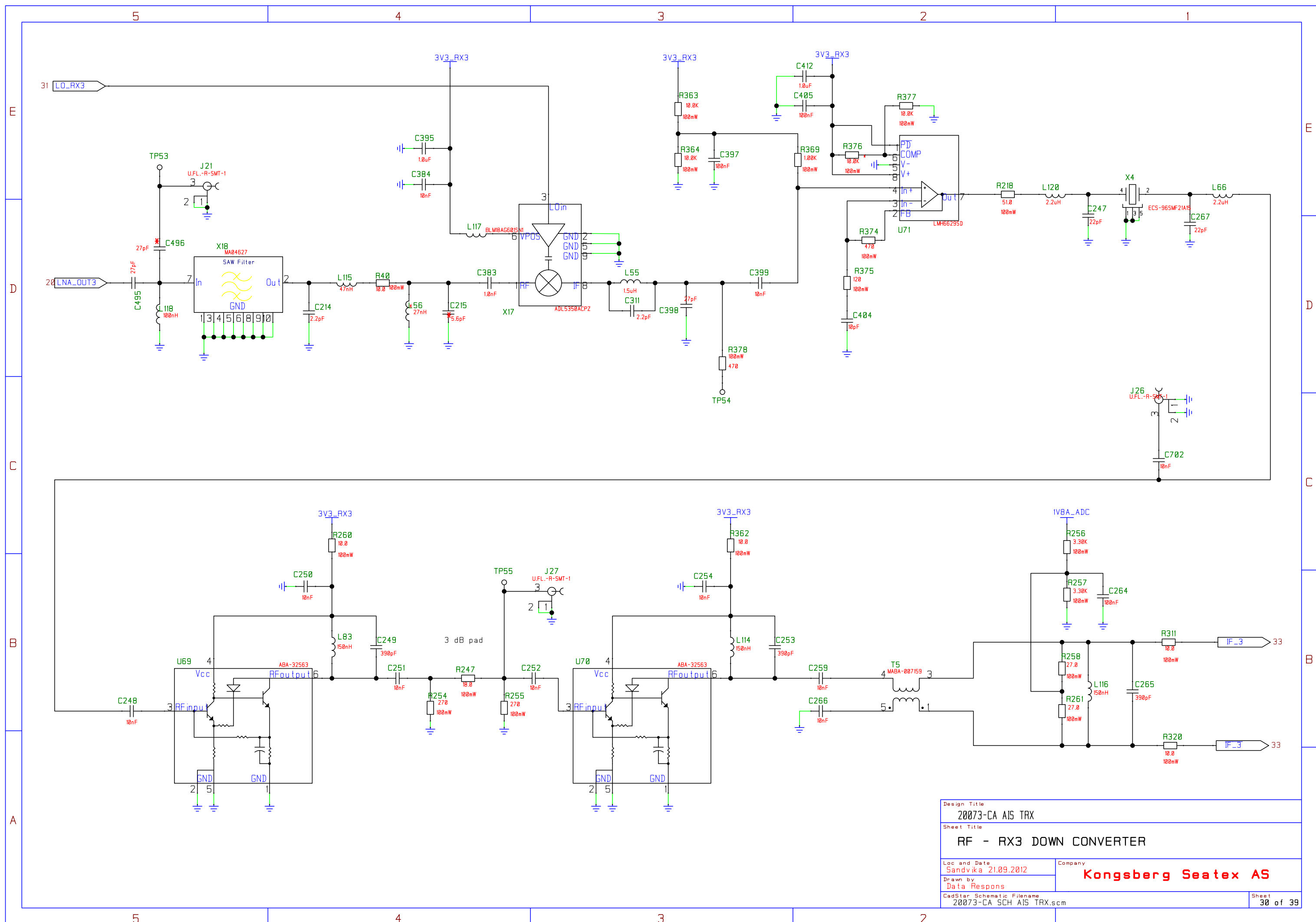
RF_RX_PLL3



RF_DWN_CONV3



Design Title		20073-CA AIS TRX	
Sheet Title		RF - RX3 VREG	
Loc and Date	Sandvika 21.09.2012	Company	Kongsberg Seatex AS
Drawn by	Data Respons		
CadStar Schematic Filename			Sheet
20073-CA SCH AIS TRX.scm			29 of 39



Design Title	
20073-CA AIS TRX	
Sheet Title	
RF - RX3 DOWN CONVERTER	
Loc and Date	Company
Sandvika 21.09.2012	Kongsberg Seatex AS
Drawn by	
Data Respons	
CadStar Schematic Filename	Sheet
20073-CA SCH AIS TRX.scm	30 of 39