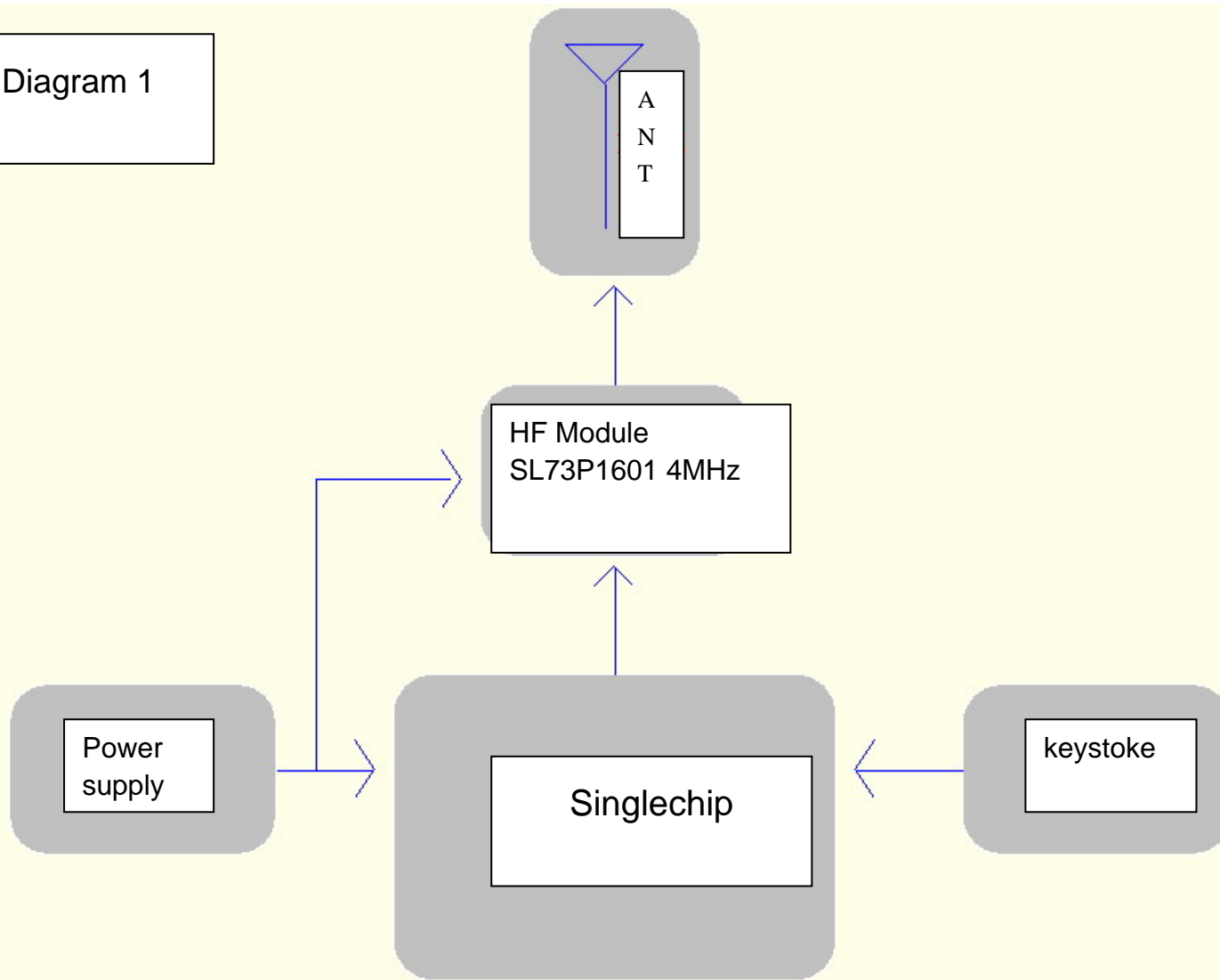


Block Diagram 1



Block Diagram 2

