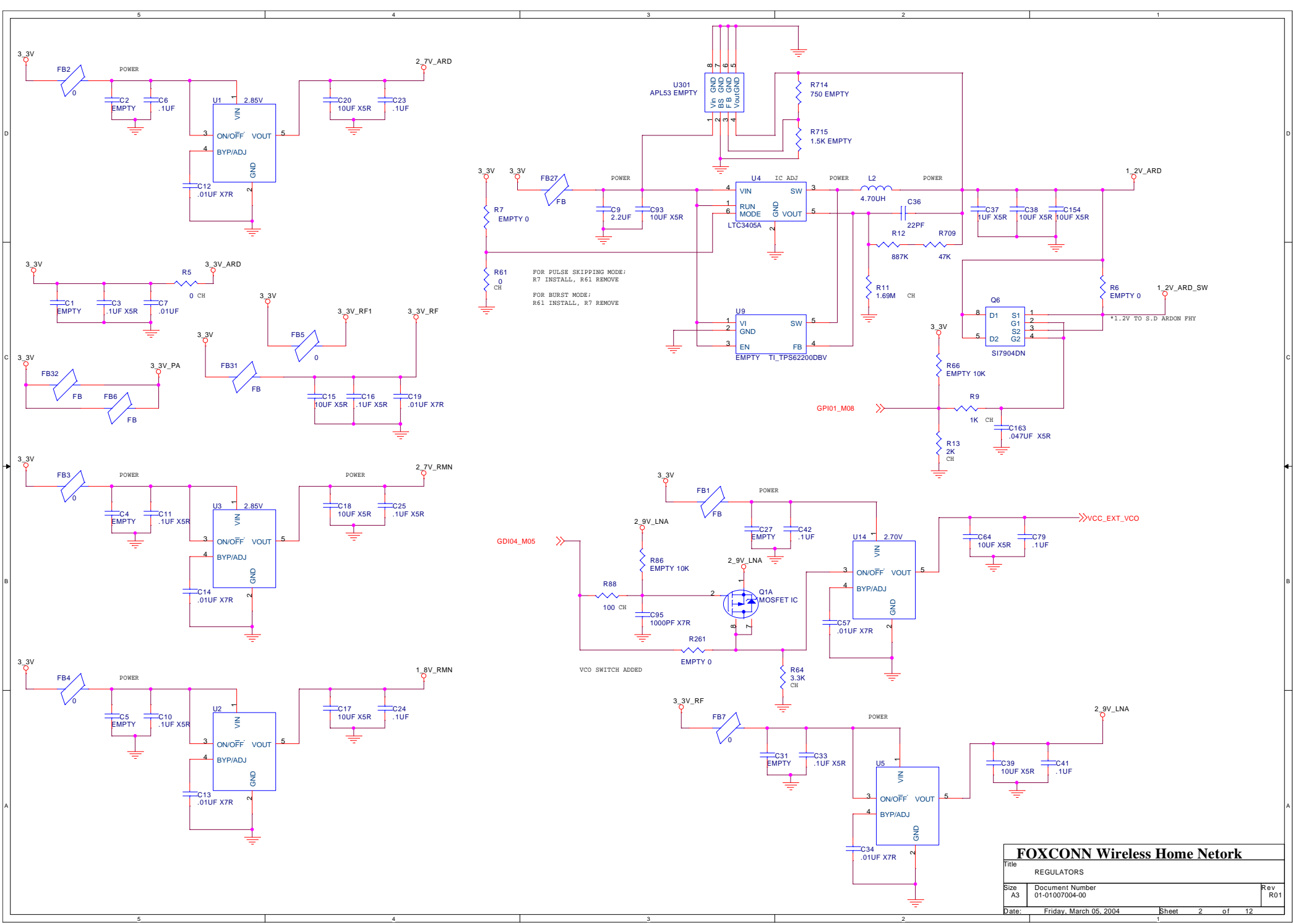


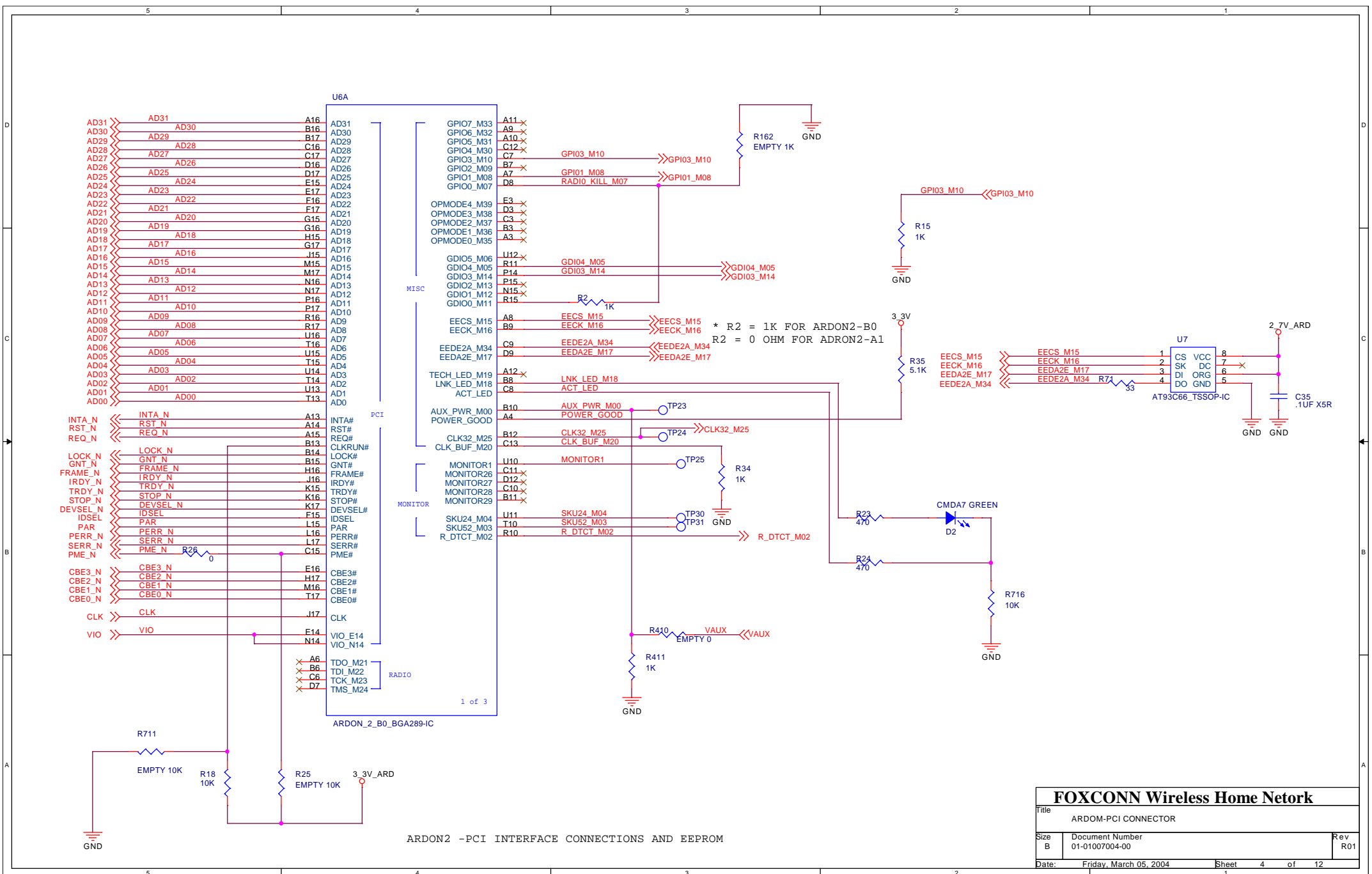
DATE	REVISION NUMBER	DESCRIPTION
		INTERNAL RELEASE
11/13/03	R03	Intel Reference Release
11/17/03	RL-01-R0A	Schematic draft DHL type change to DSN type
11/19/03	RL-01-R0A	Change PCB 8 layer to 4 layer and one side placement of component
11/25/03	RL-01-R0A	Delete J4,J7,J8,R36,R37,R38,R39,R46 of Intel ARDON/RAMON Test connector
11/26/03	RL-01-R0A	Delete XTALOFF circuit
11/27/03	RL-01-R0A	Change U11 to ingnle port switch
11/28/03	RL-01-R0A	Add low pass filter on transmit loop.
3/05/04	R01	

FOXCONN 802.11B/G PCI CARD

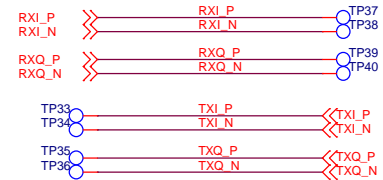
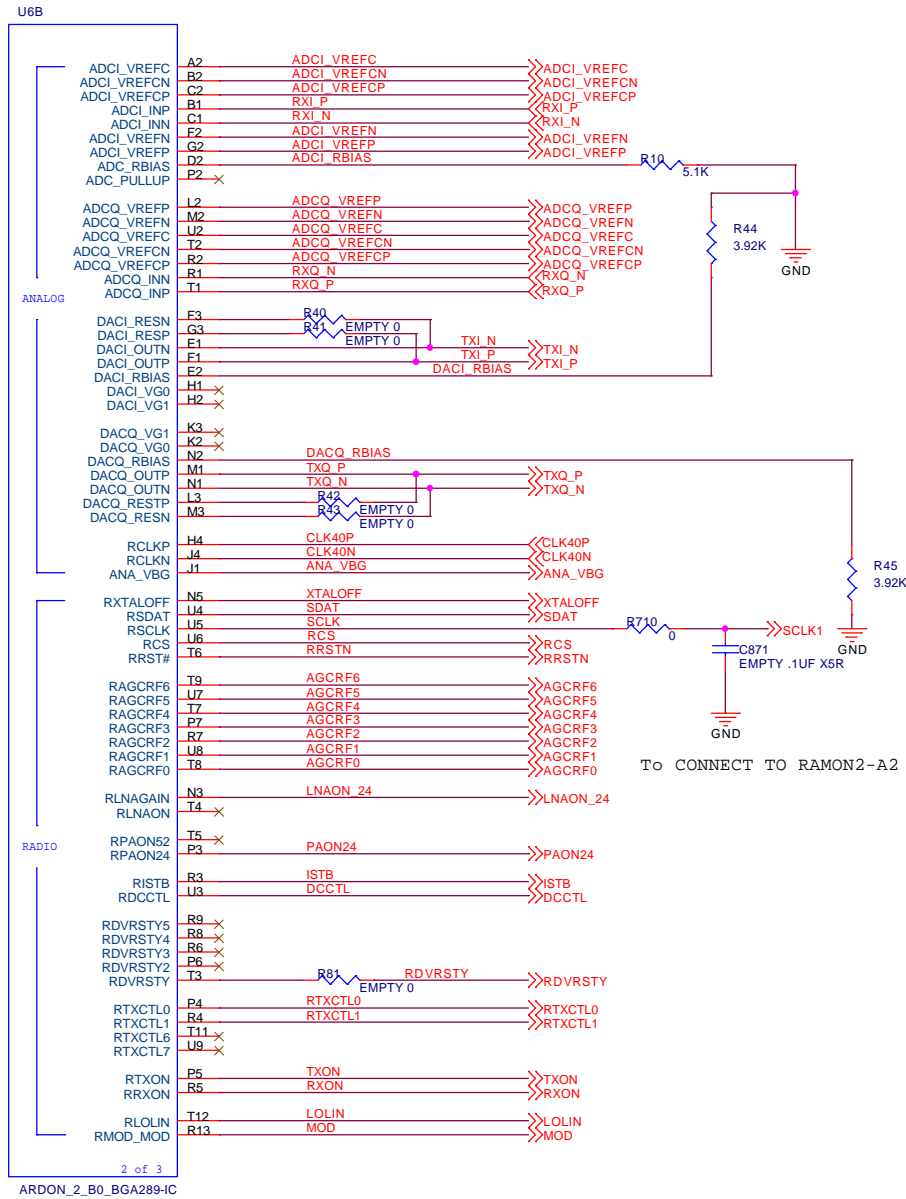
FOXCONN Wireless Home Netork			
Title Title_and_Rev			
Size	Document Number	Rev	
C	01-01007004-00	R01	
Date:	Friday, March 05, 2004	Sheet	1 of 12



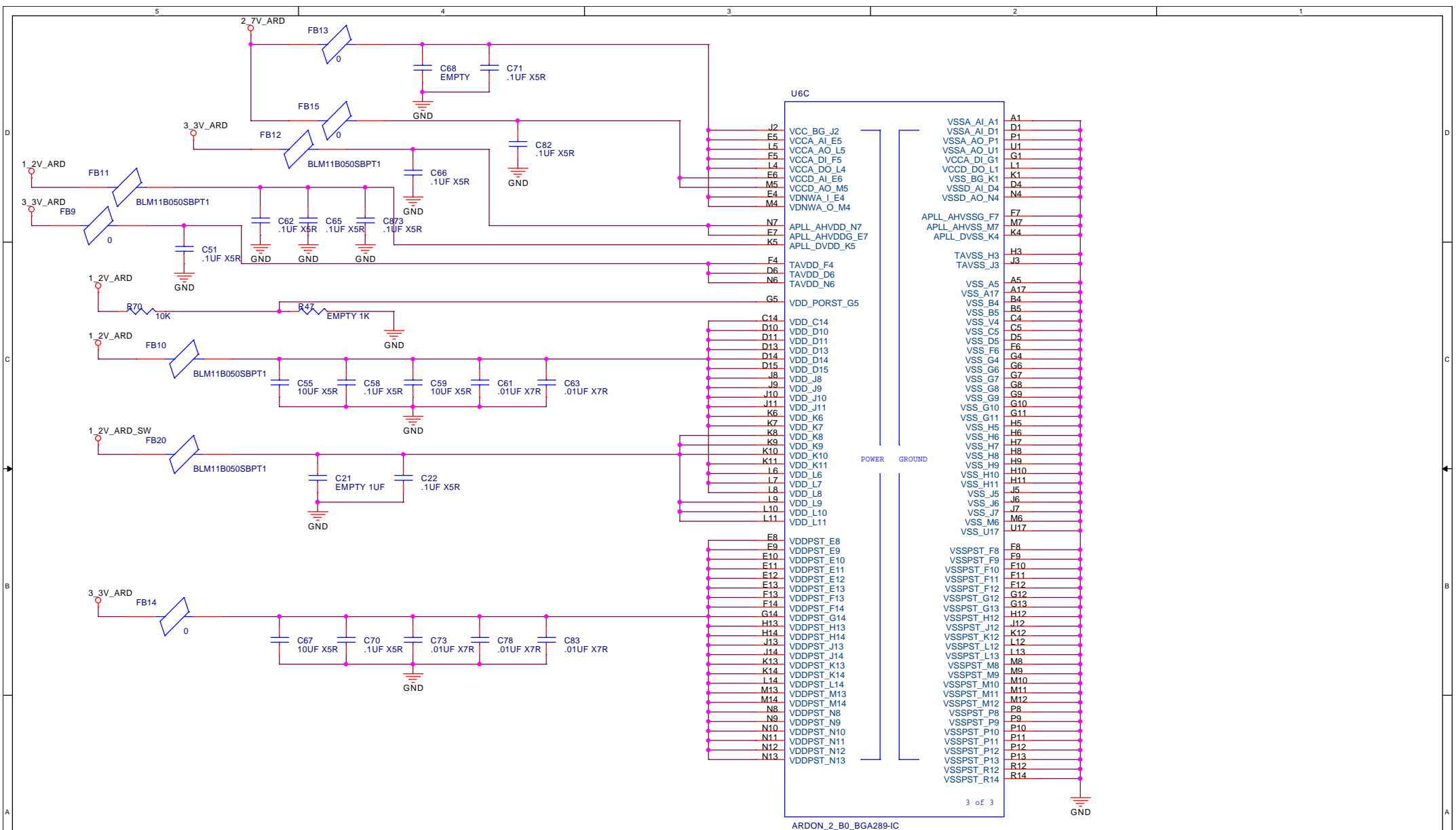
FOXCONN Wireless Home Netork		
Title	REGULATORS	
Size	Document Number	Rev
A3	01-01007004-00	R01
Date:	Friday, March 05, 2004	Sheet 2 of 12



FOXCONN Wireless Home Netork		
Title ARDOM-PCI CONNECTOR		
Size B	Document Number 01-01007004-00	Rev R01
Date: Friday, March 05, 2004	Sheet 4	of 12

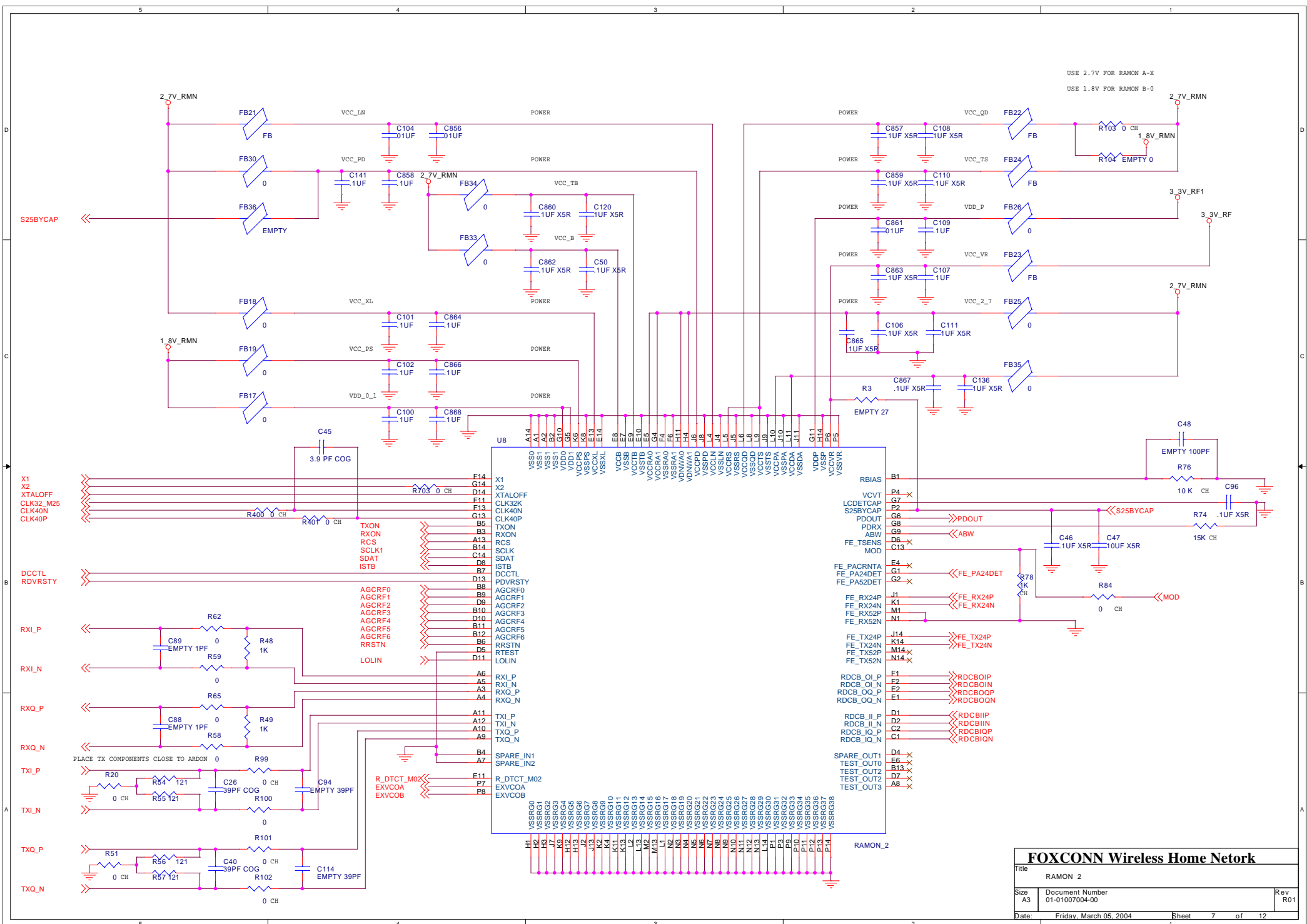


FOXCONN Wireless Home Netork		
Title	ARDON ANALOG & BB INTERFACE	
Size	Document Number	Rev
B	01-01007004-00	R01
Date:	Friday, March 05, 2004	Sheet 5 of 12



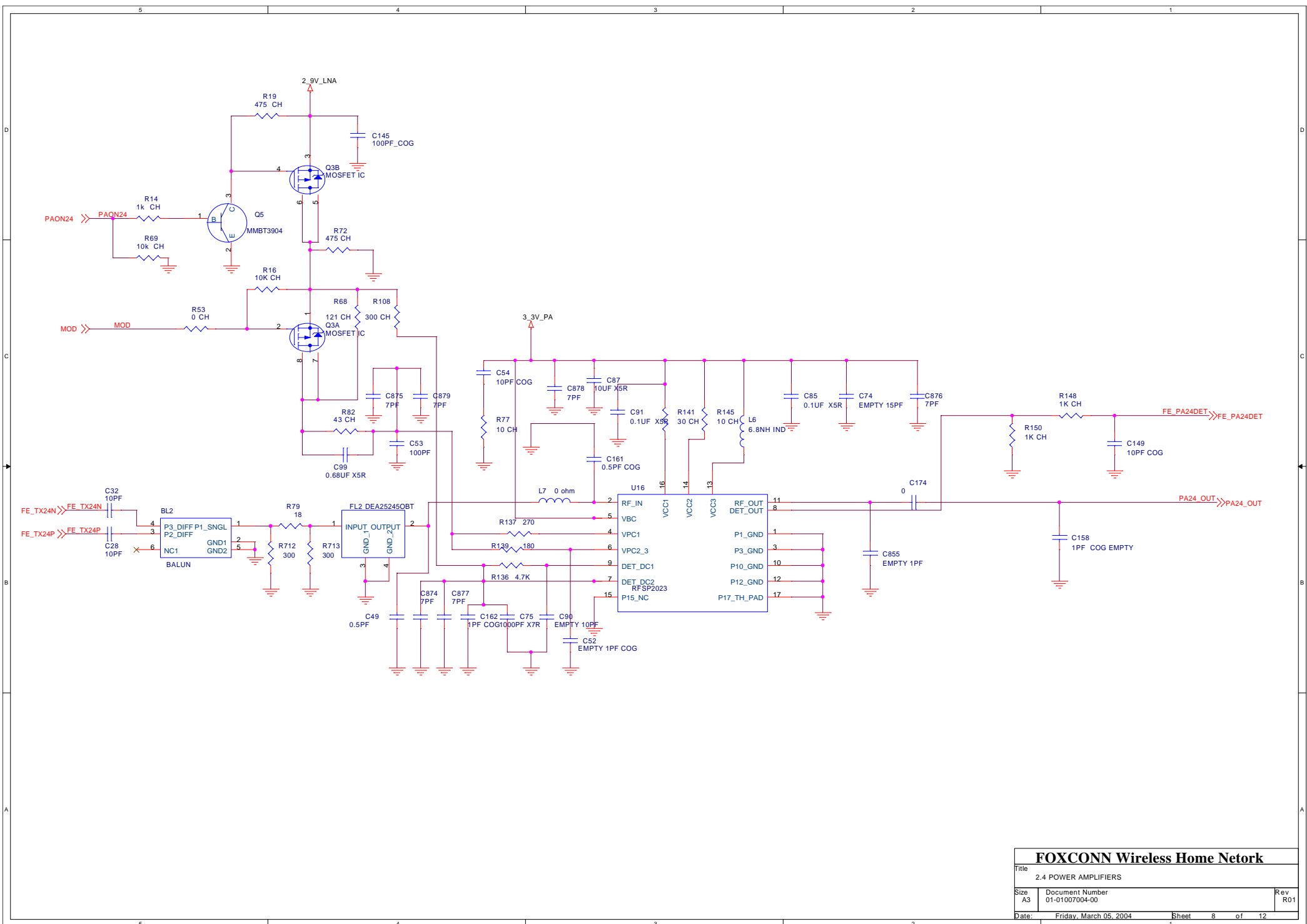
ARDON2 POWER CONNECTIONS

FOXCONN Wireless Home Netork		
Title ARDON2 POWER		
Size B	Document Number 01-01007004-00	Rev R01
Date: Friday, March 05, 2004	Sheet 6	of 12

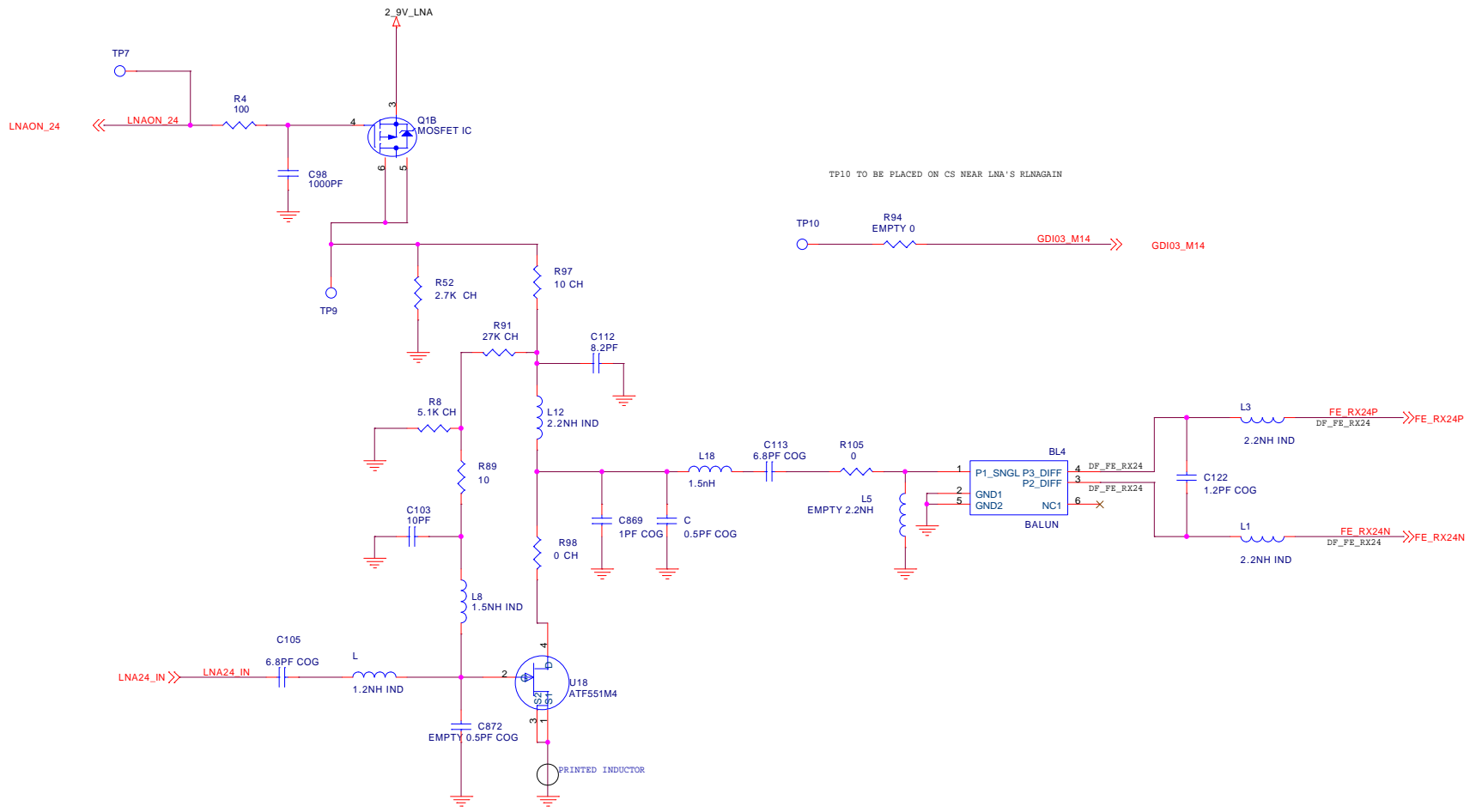


USE 2.7V FOR RAMON A-X
USE 1.8V FOR RAMON B-0

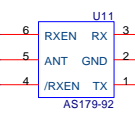
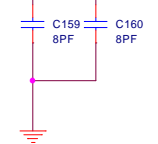
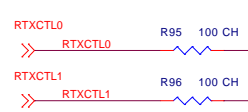
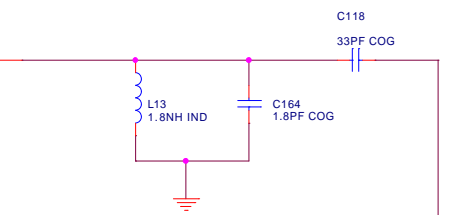
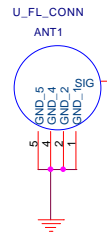
FOXCONN Wireless Home Netork		
Title	RAMON 2	
Size	Document Number	Rev
A3	01-01007004-00	R01
Date:	Friday, March 05, 2004	Sheet 7 of 12



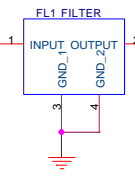
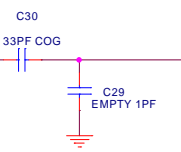
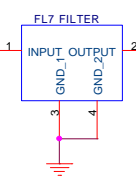
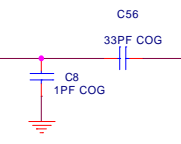
FOXCONN Wireless Home Netork		
Title	2.4 POWER AMPLIFIERS	
Size	Document Number	Rev
A3	01-01007004-00	R01
Date:	Friday, March 05, 2004	Sheet 8 of 12



FOXCONN Wireless Home Netork		
Title	LNA_24	
Size	Document Number	Rev
A3	01-01007004-00	R01
Date:	Friday, March 05, 2004	Sheet 9 of 12

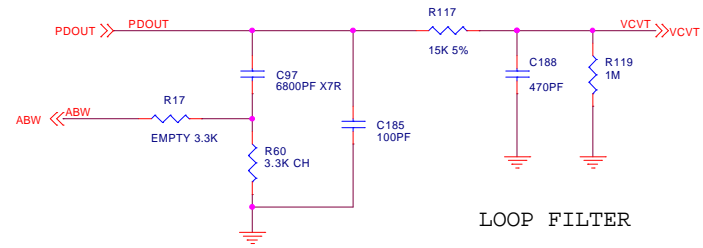
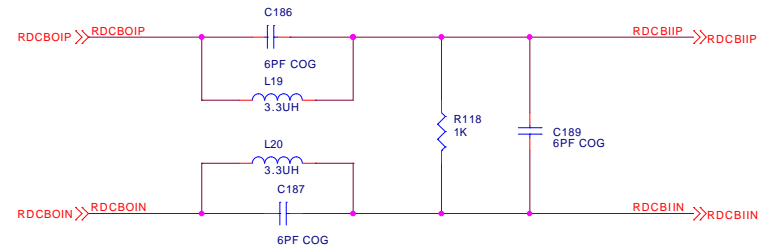
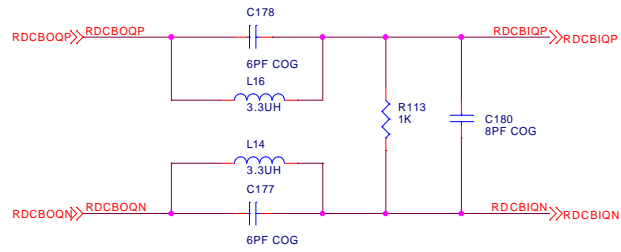


C39074-001: MACOM(0094)
 C39074-002: MACOM(0131)
 C54206-001: NEC(I-STEP)

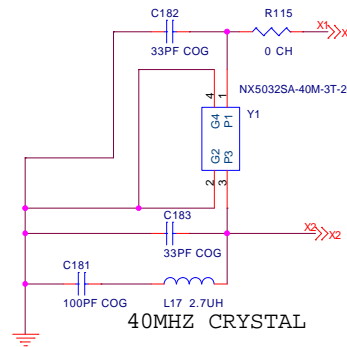


FOXCONN Wireless Home Netork		
Title RF DUAL BAND SWITCH		
Size A3	Document Number 01-01007004-00	Rev R01
Date: Friday, March 05, 2004	Sheet 10	of 12

BASEBAND FILTER SIGNAL LINES TO BE SYMMETRICAL



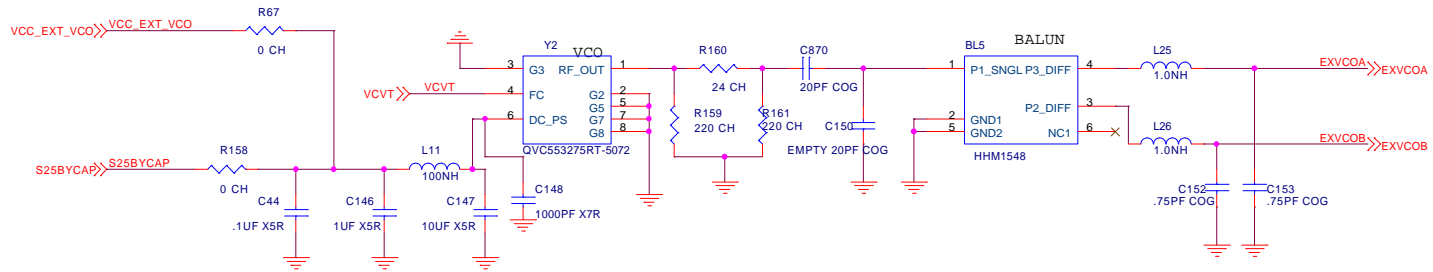
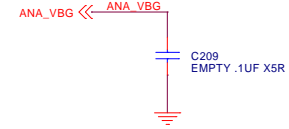
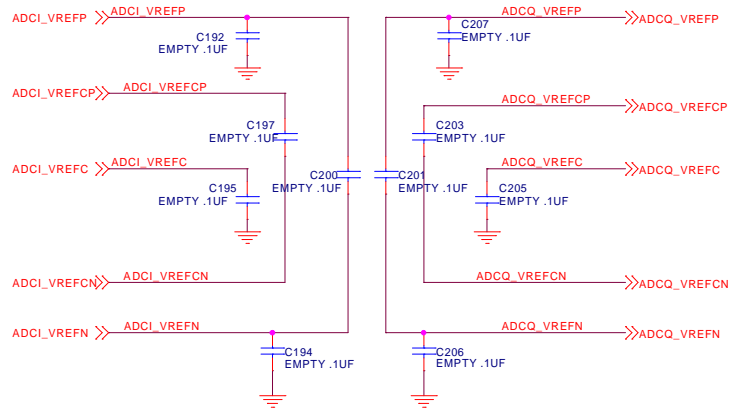
LOOP FILTER



40MHZ CRYSTAL

BASE BAND FILTER, 40MHZ CLOCK AND PLL

FOXCONN Wireless Home Netork		
Title	40MHZ CLOCK AND BB FILTER	
Size	Document Number	Rev
A3	01-01007004-00	R01
Date:	Friday, March 05, 2004	Sheet 11 of 12



FOXCONN Wireless Home Netork		
Title	EXTERNAL VCO	
Size	Document Number	Rev
A3	01-01007004-00	R01
Date:	Friday, March 05, 2004	Sheet 12 of 12