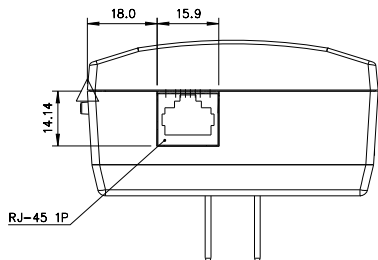
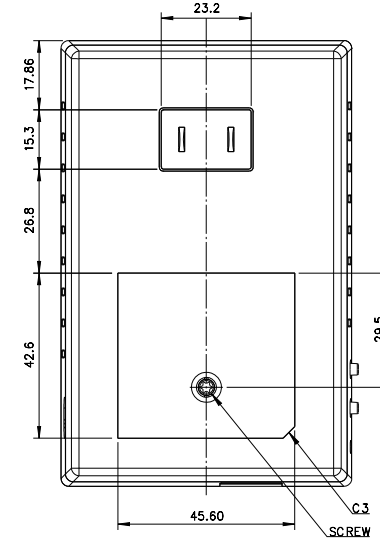
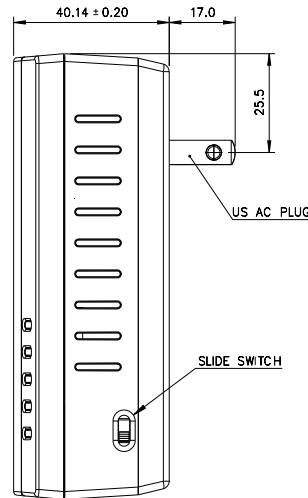
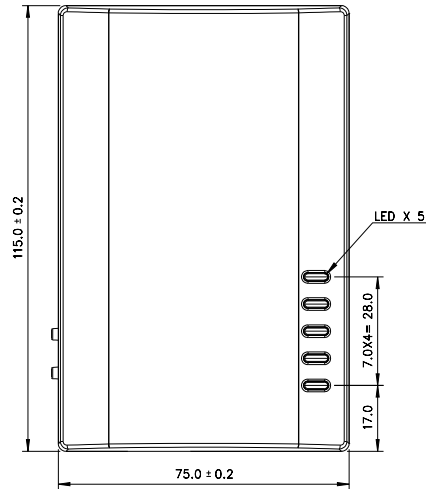
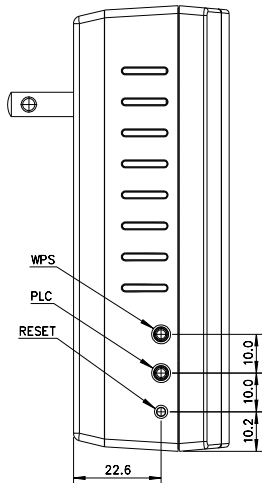
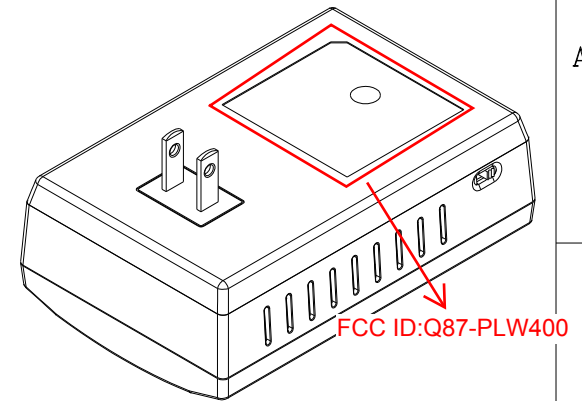
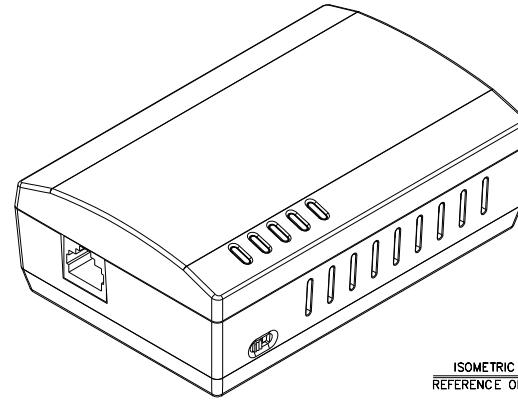
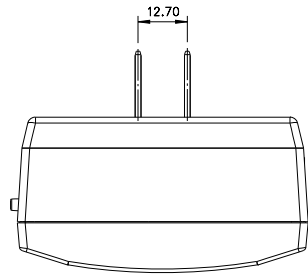


PART NUMBER BLOCK	
PART NUMBER	REV
	B

WNC PROPRIETARY				
REVISIONS				
ZONE	REV	DESCRIPTION	DATE	APPROVED
B		REFERENCE ONLY	12/09/11	THOMAS SHIEH



		UNLESS OTHERWISE SPECIFIED ALL DIMENSIONS ARE IN mm AND TOLERANCES ARE:			WNC 啓碁科技股份有限公司 Wistron NeWeb Corp. 20 Park Avenue N, Hsinchu Science Park, Hsinchu 308, Taiwan, R.O.C. Tel: 886-3-6687799 Fax: 886-3-5786726	
		INTEGER DIMENSIONS	± 0.2	ANGULAR DIMENSIONS	± 0°	
		1 PLACE DECIMAL	± 0.1	HOLES UNDER Ø 5.00	± 0.05	
		2 PLACE DECIMALS	± 0.05			
		MATERIAL:	NA		DWG TITLE	
		FINISH:	NA		OUTLINE, PLW, SL-C 4	
		THIRD ANGLE PROJECTION	DRAWN	TONY WU	12/09/11	SIZE DWG NO.
			ENGR	TONY WU	12/09/11	A2
		NEXT ASSY	USED ON	APVD	ALVIN PENG	12/09/11
		APPLICATION				SCALE 1:1 SHEET 1 OF 1
						REV B