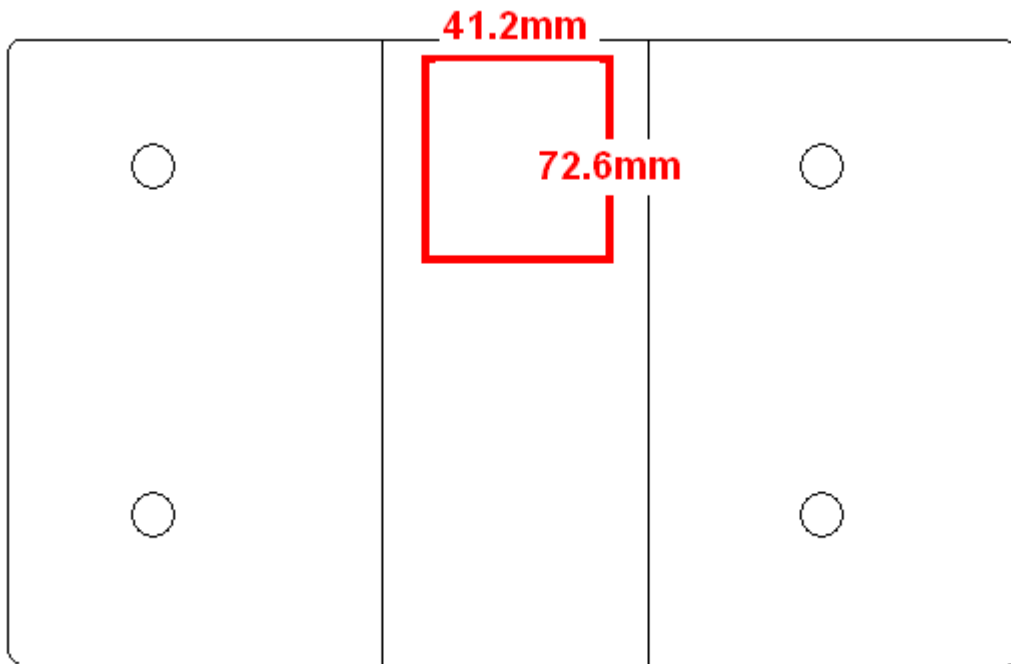


## Label FCC LABEL LOCATION

The label will be permanently affixed at a conspicuous location on the device.

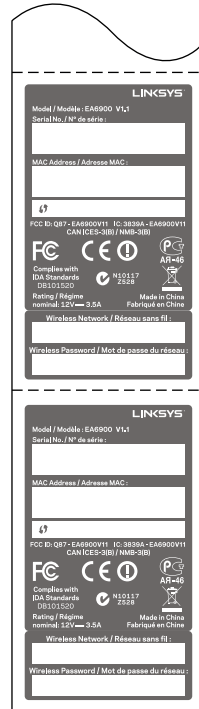


**PART NUMBER BLOCK**

PART NUMBER	REV
4L-SAB5C33-003	A

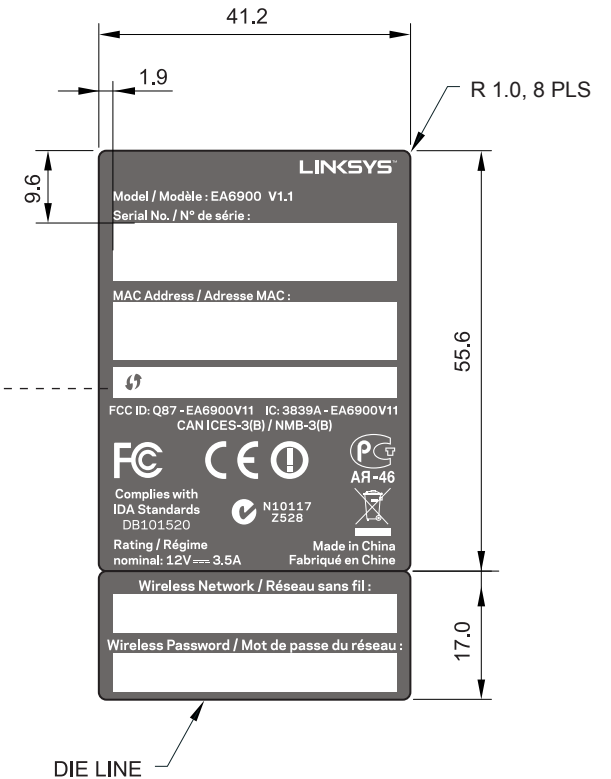
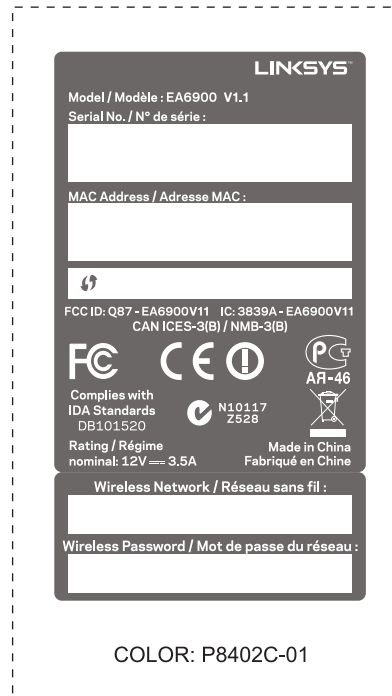
**REVISIONS**

REV	DESCRIPTION	DATE	APPROVED
A	RELEASE TO FILE	01/02/14	SANDY CHEN



REEL DIRECTION ↓

※REFERENCE ONLY



**NOTES:**

- MATERIAL: MATTE WHITE PET(金利寶HTYL50(EB)), T=0.05  
FINISH: MATTE PET(金利寶TPATM(T)(36)H), T=0.026  
GLUE: EMBOSSED ADHESIVE, T=0.035±0.003.
- COLOR:  
a. BACKGROUND= PAPER COLOR (WHITE)  
b. PRINTING= P8402C-01 (WARM GRAY)
- TEMPERATURE RESISTANT= -20~120°C.
- ROLLED
- PRINTING DIMENSIONS OF TOLERANCES: ±0.2

		UNLESS OTHERWISE SPECIFIED ALL DIMENSIONS ARE IN mm AND TOLERANCES ARE:				<b>WNC 啟碁科技股份有限公司</b> Wistron NeWeb Corp. 20 Park Avenue II, Hsinchu Science Park, Hsinchu 308, Taiwan, R.O.C. Tel: 886-3-6667799 Fax: 886-3-5788726	
		INTEGER DIMENSIONS ± 0.3 1 PLACE DECIMAL ± 0.2		ANGULAR DIMENSIONS ± 2° HOLES UNDER Ø5.00 ± 0.2		DWG TITLE	
		MATERIAL: SEE NOTES				LABEL, PRODUCT, EA6900 V1.1, US/CA/AP/EM/EA, LINKSYS, SAB4-C5	
		FINISH: SEE NOTES				DWG NO.	
NEXT ASSY	SAB4-C5	THIRD ANGLE PROJECTION	DRAWN	CIHYI CHIU	01/02/14	4L-SAB5C33-003	REV
	USED ON		ENGR	CIHYI CHIU	01/02/14		A
APPLICATION			APVD	SANDY CHEN	01/02/14		
		SCALE		1/1		SHEET 1 OF 1	