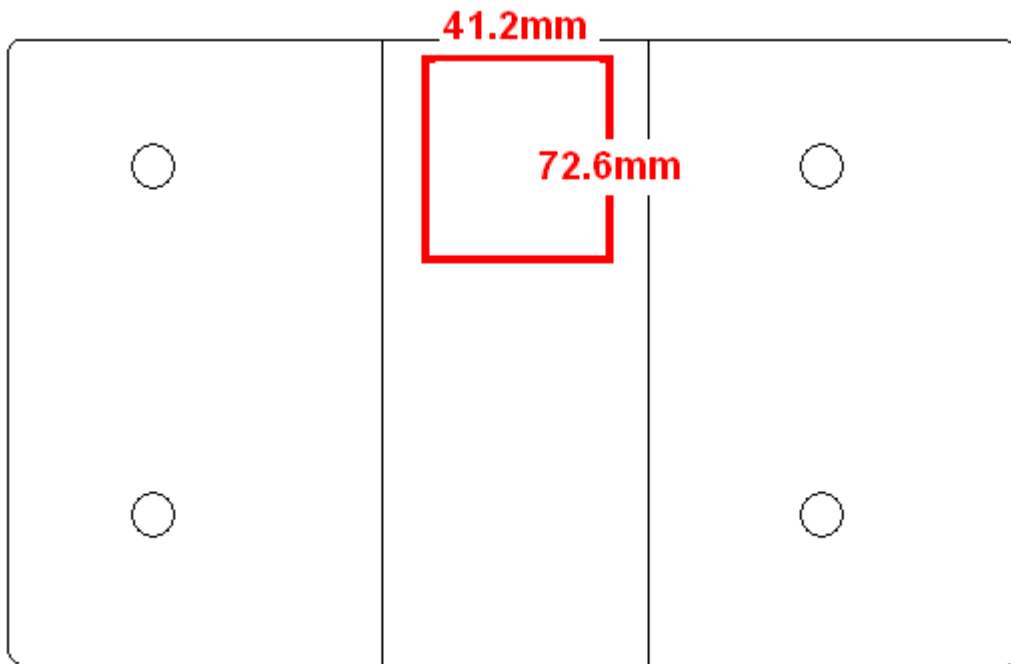


## Label FCC LABEL LOCATION

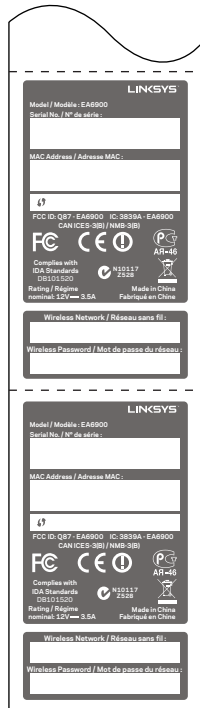
The label will be permanently affixed at a conspicuous location on the device.



(Fig.1) FCC ID: Q87-EA6900

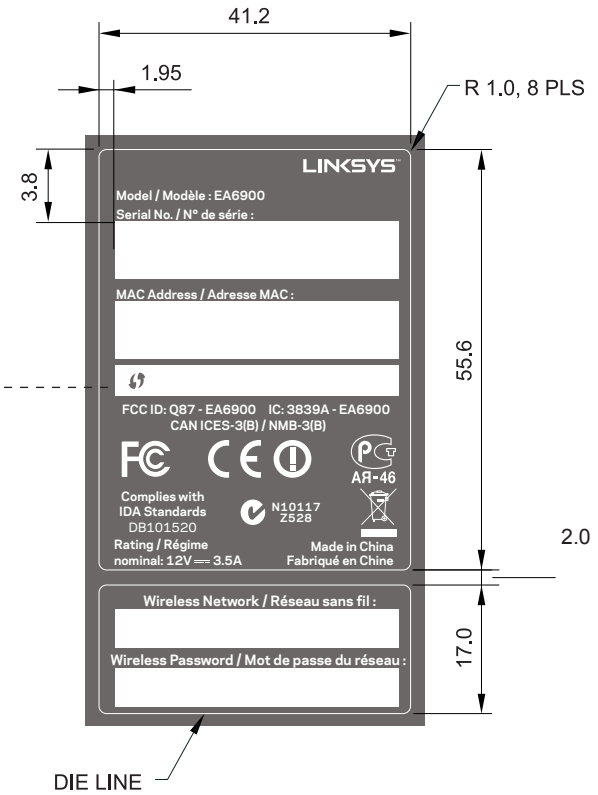
PART NUMBER BLOCK	
PART NUMBER	REV
4L-SAB4C13-005	A

REVISIONS			
REV	DESCRIPTION	DATE	APPROVED
A	RELEASE TO FILE	03/11/13	SANDY CHEN



※REFERENCE ONLY

REEL DIRECTION ↓



**NOTES:**

- MATERIAL: MATTE WHITE PET, T=0.05  
FINISH: MATTE PET, T=0.025  
GLUE: EMBOSSED ADHESIVE, T=0.035±0.003mm.
- COLOR:
  - BACKGROUND= PAPER COLOR (WHITE)
  - PRINTING= P8402C-01 (WARM GRAY)
- TEMPERATURE RESISTANT= 80°C.
- ROLLED
- DIMENSIONS OF TOLERANCES: ±0.15  
PRINTING DIMENSIONS OF TOLERANCES: ±0.2

		UNLESS OTHERWISE SPECIFIED ALL DIMENSIONS ARE IN mm AND TOLERANCES ARE:				<b>啟碁科技股份有限公司</b> Wistron NeWeb Corp. 20 Park Avenue II, Hsinchu Science Park, Hsinchu 308, Taiwan, R.O.C. Tel: 886-3-6667799 Fax: 886-3-5788726	
		INTEGER DIMENSIONS 1 PLACE DECIMAL	± 0.3 ± 0.2	ANGULAR DIMENSIONS HOLES UNDER Ø5.00	± 2° ± 0.2		
		MATERIAL: SEE NOTES				DWG TITLE	
		FINISH: SEE NOTES					
		THIRD ANGLE PROJECTION				SIZE	DWG NO.
NEXT ASSY	SAB4-C1	DRAWN	CIHYI CHIU	03/11/13	A4		REV
	USED ON	ENGR	CIHYI CHIU	03/11/13			A
APPLICATION		APVD	SANDY CHEN	03/11/13			SCALE