



Accredited by the Swiss Accreditation Service (SAS)
The Swiss Accreditation Service is one of the signatories to the EA
Multilateral Agreement for the recognition of calibration certificates

Accreditation No.: **SCS 108**

Client **CCS (Auden)**

Certificate No: **D5GHzV2-1004_Jan08**

CALIBRATION CERTIFICATE

Object: **D5GHzV2 - SN: 1004**

Calibration procedure(s): **QA CAL-22.v1
Calibration procedure for dipole validation kits between 3-6 GHz**

Calibration date: **January 24, 2008**

Condition of the calibrated item: **In Tolerance**

This calibration certificate documents the traceability to national standards, which realize the physical units of measurements (SI).
The measurements and the uncertainties with confidence probability are given on the following pages and are part of the certificate.

All calibrations have been conducted in the closed laboratory facility: environment temperature $(22 \pm 3)^{\circ}\text{C}$ and humidity $< 70\%$.

Calibration Equipment used (M&TE critical for calibration)

Primary Standards	ID #	Cal Date (Calibrated by, Certificate No.)	Scheduled Calibration
Power meter EPM-442A	GB37480704	04-Oct-07 (METAS, No. 217-00736)	Oct-08
Power sensor HP 8481A	US37292783	04-Oct-07 (METAS, No. 217-00736)	Oct-08
Reference 20 dB Attenuator	SN: S5072.1 (20g)	07-Aug-07 (METAS, No. 217-00718)	Aug-08
Reference Probe EX3DV4	SN: 3503	9-Mar-07 (SPEAG, No. EX3-3503_Mar07)	Mar-08
DAE4	SN 601	3-Jan-08 (SPEAG, No. DAE4-601_Jan08)	Jan-09
Secondary Standards	ID #	Check Date (in house)	Scheduled Check
RF generator R&S SMT-06	100005	4-Aug-99 (SPEAG, in house check Oct-07)	In house check: Oct-09
Network Analyzer HP 8753E	US37390585 S4206	18-Oct-01 (SPEAG, in house check Oct-07)	In house check: Oct-08
Power meter E4419B	GB43310788	13-Aug-03 (SPEAG, in house check Oct-07)	In house check: Oct-08
Power sensor HP 8481A	MY41093315	10-Aug-03 (SPEAG, in house check Oct-07)	In house check: Oct-08

	Name	Function	Signature
Calibrated by:	Mike Meili	Laboratory Technician	
Approved by:	Katja Pokovic	Technical Manager	

Issued: January 24, 2008

This calibration certificate shall not be reproduced except in full without written approval of the laboratory.



Accredited by the Swiss Accreditation Service (SAS)

The Swiss Accreditation Service is one of the signatories to the EA
Multilateral Agreement for the recognition of calibration certificates

Glossary:

TSL	tissue simulating liquid
ConvF	sensitivity in TSL / NORM x,y,z
N/A	not applicable or not measured

Calibration is Performed According to the Following Standards:

- IEC Std 62209 Part 2, "Evaluation of Human Exposure to Radio Frequency Fields from Handheld and Body-Mounted Wireless Communication Devices in the Frequency Range of 30 MHz to 6 GHz: Human models, Instrumentation, and Procedures"; Part 2: "Procedure to determine the Specific Absorption Rate (SAR) for including accessories and multiple transmitters", Draft Version 0.9, December 2004
- Federal Communications Commission Office of Engineering & Technology (FCC OET), "Evaluating Compliance with FCC Guidelines for Human Exposure to Radiofrequency Electromagnetic Fields; Additional Information for Evaluating Compliance of Mobile and Portable Devices with FCC Limits for Human Exposure to Radiofrequency Emissions", Supplement C (Edition 01-01) to Bulletin 65

Additional Documentation:

- DASY4 System Handbook

Methods Applied and Interpretation of Parameters:

- Measurement Conditions:** Further details are available from the Validation Report at the end of the certificate. All figures stated in the certificate are valid at the frequency indicated.
- Antenna Parameters with TSL:** The dipole is mounted with the spacer to position its feed point exactly below the center marking of the flat phantom section, with the arms oriented parallel to the body axis.
- Feed Point Impedance and Return Loss:** These parameters are measured with the dipole positioned under the liquid filled phantom. The impedance stated is transformed from the measurement at the SMA connector to the feed point. The Return Loss ensures low reflected power. No uncertainty required.
- Electrical Delay:** One-way delay between the SMA connector and the antenna feed point. No uncertainty required.
- SAR measured:** SAR measured at the stated antenna input power.
- SAR normalized:** SAR as measured, normalized to an input power of 1 W at the antenna connector.
- SAR for nominal TSL parameters:** The measured TSL parameters are used to calculate the nominal SAR result.

Measurement Conditions

DASY system configuration, as far as not given on page 1.

DASY Version	DASY4	V4.7
Extrapolation	Advanced Extrapolation	
Phantom	Modular Flat Phantom V5.0	
Distance Dipole Center - TSL	10 mm	with Spacer
Area Scan resolution	dx, dy = 10 mm	
Zoom Scan Resolution	dx, dy = 4.0 mm, dz = 2.5 mm	
Frequency	5000 MHz ± 1 MHz 5200 MHz ± 1 MHz 5500 MHz ± 1 MHz 5800 MHz ± 1 MHz	

Head TSL parameters at 5000 MHz

The following parameters and calculations were applied.

	Temperature	Permittivity	Conductivity
Nominal Head TSL parameters	22.0 °C	36.2	4.45 mho/m
Measured Head TSL parameters	(22.0 ± 0.2) °C	36.4 ± 6 %	4.36 mho/m ± 6 %
Head TSL temperature during test	(21.4 ± 0.2) °C	----	----

SAR result with Head TSL at 5000 MHz

SAR averaged over 1 cm ³ (1 g) of Head TSL	condition	
SAR measured	100 mW input power	8.06 mW / g
SAR normalized	normalized to 1W	80.6 mW / g
SAR for nominal Head TSL parameters ¹	normalized to 1W	80.8 mW / g ± 19.9 % (k=2)

SAR averaged over 10 cm ³ (10 g) of Head TSL	condition	
SAR measured	100 mW input power	2.30 mW / g
SAR normalized	normalized to 1W	23.0 mW / g
SAR for nominal Head TSL parameters ¹	normalized to 1W	23.0 mW / g ± 19.5 % (k=2)

¹ Correction to nominal TSL parameters according to c), chapter "SAR Sensitivities"

Head TSL parameters at 5200 MHz

The following parameters and calculations were applied.

	Temperature	Permittivity	Conductivity
Nominal Head TSL parameters	22.0 °C	36.0	4.66 mho/m
Measured Head TSL parameters	(22.0 ± 0.2) °C	36.0 ± 6 %	4.53 mho/m ± 6 %
Head TSL temperature during test	(21.3 ± 0.2) °C	----	----

SAR result with Head TSL at 5200 MHz

SAR averaged over 1 cm ³ (1 g) of Head TSL	condition	
SAR measured	100 mW input power	8.10 mW / g
SAR normalized	normalized to 1W	81.0 mW / g
SAR for nominal Head TSL parameters ²	normalized to 1W	81.0 mW / g ± 19.9 % (k=2)

SAR averaged over 10 cm ³ (10 g) of Head TSL	condition	
SAR measured	100 mW input power	2.28 mW / g
SAR normalized	normalized to 1W	22.8 mW / g
SAR for nominal Head TSL parameters ²	normalized to 1W	22.7 mW / g ± 19.5 % (k=2)

Head TSL parameters at 5500 MHz

The following parameters and calculations were applied.

	Temperature	Permittivity	Conductivity
Nominal Head TSL parameters	22.0 °C	35.6	4.96 mho/m
Measured Head TSL parameters	(22.0 ± 0.2) °C	35.5 ± 6 %	4.81 mho/m ± 6 %
Head TSL temperature during test	(21.2 ± 0.2) °C	----	----

SAR result with Head TSL at 5500 MHz

SAR averaged over 1 cm ³ (1 g) of Head TSL	condition	
SAR measured	100 mW input power	8.46 mW / g
SAR normalized	normalized to 1W	84.6 mW / g
SAR for nominal Head TSL parameters ²	normalized to 1W	84.5 mW / g ± 19.9 % (k=2)

SAR averaged over 10 cm ³ (10 g) of Head TSL	condition	
SAR measured	100 mW input power	2.38 mW / g
SAR normalized	normalized to 1W	23.8 mW / g
SAR for nominal Head TSL parameters ²	normalized to 1W	23.7 mW / g ± 19.5 % (k=2)

² Correction to nominal TSL parameters according to c), chapter "SAR Sensitivities"

Head TSL parameters at 5800 MHz

The following parameters and calculations were applied.

	Temperature	Permittivity	Conductivity
Nominal Head TSL parameters	22.0 °C	35.3	5.27 mho/m
Measured Head TSL parameters	(22.0 ± 0.2) °C	34.8 ± 6 %	5.11 mho/m ± 6 %
Head TSL temperature during test	(21.2 ± 0.2) °C	----	----

SAR result with Head TSL at 5800 MHz

SAR averaged over 1 cm ³ (1 g) of Head TSL	condition	
SAR measured	100 mW input power	8.18 mW / g
SAR normalized	normalized to 1W	81.8 mW / g
SAR for nominal Head TSL parameters ³	normalized to 1W	81.3 mW / g ± 19.9 % (k=2)

SAR averaged over 10 cm ³ (10 g) of Head TSL	condition	
SAR measured	100 mW input power	2.29 mW / g
SAR normalized	normalized to 1W	22.9 mW / g
SAR for nominal Head TSL parameters ³	normalized to 1W	22.7 mW / g ± 19.5 % (k=2)

³ Correction to nominal TSL parameters according to c), chapter "SAR Sensitivities"

Body TSL parameters at 5000 MHz

The following parameters and calculations were applied.

	Temperature	Permittivity	Conductivity
Nominal Body TSL parameters	22.0 °C	49.3	5.07 mho/m
Measured Body TSL parameters	(22.0 ± 0.2) °C	47.9 ± 6 %	5.05 mho/m ± 6 %
Body TSL temperature during test	(21.4 ± 0.2) °C	----	----

SAR result with Body TSL at 5000 MHz

SAR averaged over 1 cm ³ (1 g) of Body TSL	condition	
SAR measured	100 mW input power	7.62 mW / g
SAR normalized	normalized to 1W	76.2 mW / g
SAR for nominal Body TSL parameters ⁴	normalized to 1W	75.5 mW / g ± 19.9 % (k=2)

SAR averaged over 10 cm ³ (10 g) of Body TSL	condition	
SAR measured	100 mW input power	2.16 mW / g
SAR normalized	normalized to 1W	21.6 mW / g
SAR for nominal Body TSL parameters ⁴	normalized to 1W	21.4 mW / g ± 19.5 % (k=2)

Body TSL parameters at 5200 MHz

The following parameters and calculations were applied.

	Temperature	Permittivity	Conductivity
Nominal Body TSL parameters	22.0 °C	49.0	5.30 mho/m
Measured Body TSL parameters	(22.0 ± 0.2) °C	47.3 ± 6 %	5.27 mho/m ± 6 %
Body TSL temperature during test	(21.0 ± 0.2) °C	----	----

SAR result with Body TSL at 5200 MHz

SAR averaged over 1 cm ³ (1 g) of Body TSL	condition	
SAR measured	100 mW input power	7.84 mW / g
SAR normalized	normalized to 1W	78.4 mW / g
SAR for nominal Body TSL parameters ⁴	normalized to 1W	77.5 mW / g ± 19.9 % (k=2)

SAR averaged over 10 cm ³ (10 g) of Body TSL	condition	
SAR measured	100 mW input power	2.19 mW / g
SAR normalized	normalized to 1W	21.9 mW / g
SAR for nominal Body TSL parameters ⁴	normalized to 1W	21.7 mW / g ± 19.5 % (k=2)

⁴ Correction to nominal TSL parameters according to c), chapter "SAR Sensitivities"

Body TSL parameters at 5500 MHz

The following parameters and calculations were applied.

	Temperature	Permittivity	Conductivity
Nominal Body TSL parameters	22.0 °C	48.6	5.65 mho/m
Measured Body TSL parameters	(22.0 ± 0.2) °C	46.6 ± 6 %	5.62 mho/m ± 6 %
Body TSL temperature during test	(21.0 ± 0.2) °C	----	----

SAR result with Body TSL at 5500 MHz

SAR averaged over 1 cm ³ (1 g) of Body TSL	condition	
SAR measured	100 mW input power	8.16 mW / g
SAR normalized	normalized to 1W	81.6 mW / g
SAR for nominal Body TSL parameters ⁵	normalized to 1W	80.5 mW / g ± 19.9 % (k=2)

SAR averaged over 10 cm ³ (10 g) of Body TSL	condition	
SAR measured	100 mW input power	2.27 mW / g
SAR normalized	normalized to 1W	22.7 mW / g
SAR for nominal Body TSL parameters ⁵	normalized to 1W	22.4 mW / g ± 19.5 % (k=2)

Body TSL parameters at 5800 MHz

The following parameters and calculations were applied.

	Temperature	Permittivity	Conductivity
Nominal Body TSL parameters	22.0 °C	48.2	6.00 mho/m
Measured Body TSL parameters	(22.0 ± 0.2) °C	46.0 ± 6 %	6.04 mho/m ± 6 %
Body TSL temperature during test	(21.0 ± 0.2) °C	----	----

SAR result with Body TSL at 5800 MHz

SAR averaged over 1 cm ³ (1 g) of Body TSL	condition	
SAR measured	100 mW input power	7.21 mW / g
SAR normalized	normalized to 1W	72.1 mW / g
SAR for nominal Body TSL parameters ⁵	normalized to 1W	71.0 mW / g ± 19.9 % (k=2)

SAR averaged over 10 cm ³ (10 g) of Body TSL	condition	
SAR measured	100 mW input power	2.00 mW / g
SAR normalized	normalized to 1W	20.0 mW / g
SAR for nominal Body TSL parameters ⁵	normalized to 1W	19.8 mW / g ± 19.5 % (k=2)

⁵ Correction to nominal TSL parameters according to c), chapter "SAR Sensitivities"

Appendix

Antenna Parameters with Head TSL at 5000 MHz

Impedance, transformed to feed point	50.9 Ω - 15.1 j Ω
Return Loss	-16.6 dB

Antenna Parameters with Head TSL at 5200 MHz

Impedance, transformed to feed point	50.1 Ω - 10.4 j Ω
Return Loss	-19.7 dB

Antenna Parameters with Head TSL at 5500 MHz

Impedance, transformed to feed point	52.9 Ω - 2.9 j Ω
Return Loss	-28.0 dB

Antenna Parameters with Head TSL at 5800 MHz

Impedance, transformed to feed point	59.0 Ω - 1.1 j Ω
Return Loss	-21.6 dB

Antenna Parameters with Body TSL at 5000 MHz

Impedance, transformed to feed point	49.1 Ω - 13.8 j Ω
Return Loss	-17.2 dB

Antenna Parameters with Body TSL at 5200 MHz

Impedance, transformed to feed point	49.2 Ω - 8.2 j Ω
Return Loss	-21.6 dB

Antenna Parameters with Body TSL at 5500 MHz

Impedance, transformed to feed point	53.0 Ω - 1.3 j Ω
Return Loss	-29.9 dB

Antenna Parameters with Body TSL at 5800 MHz

Impedance, transformed to feed point	60.4 Ω - 2.3 j Ω
Return Loss	-20.3 dB

General Antenna Parameters and Design

Electrical Delay (one direction)	1.153 ns
----------------------------------	----------

After long term use with 40 W radiated power, only a slight warming of the dipole near the feedpoint can be measured.

The dipole is made of standard semirigid coaxial cable. The center conductor of the feeding line is directly connected to the second arm of the dipole. The antenna is therefore short-circuited for DC-signals.

No excessive force must be applied to the dipole arms, because they might bend or the soldered connections near the feedpoint may be damaged.

Additional EUT Data

Manufactured by	SPEAG
Manufactured on	July 8, 2003

DASY4 Validation Report for Head TSL

Date/Time: 18.01.2008 15:33:40

Test Laboratory: SPEAG, Zurich, Switzerland

DUT: Dipole 5GHz; Type: D5GHz; Serial: D5GHzV2 - SN:1004

Communication System: CW-5GHz; Frequency: 5000 MHz, 5200 MHz, 5500 MHz, 5800 MHz; Duty Cycle: 1:1

Medium: HSL 5800 MHz;

Medium parameters used: $f = 5000$ MHz; $\sigma = 4.36$ mho/m; $\epsilon_r = 36.4$; $\rho = 1000$ kg/m³

Medium parameters used: $f = 5200$ MHz; $\sigma = 4.53$ mho/m; $\epsilon_r = 36$; $\rho = 1000$ kg/m³

Medium parameters used: $f = 5500$ MHz; $\sigma = 4.81$ mho/m; $\epsilon_r = 35.5$; $\rho = 1000$ kg/m³

Medium parameters used: $f = 5800$ MHz; $\sigma = 5.14$ mho/m; $\epsilon_r = 34.7$; $\rho = 1000$ kg/m³

Phantom section: Flat Section

Measurement Standard: DASY4 (High Precision Assessment)

DASY4 Configuration:

- Probe: EX3DV4 - SN3503; ConvF(5.98, 5.98, 5.98), ConvF(5.56, 5.56, 5.56), ConvF(5.2, 5.2, 5.2) ConvF(4.97, 4.97, 4.97); Calibrated: 09.03.2007
- Sensor-Surface: 2mm (Mechanical Surface Detection)
- Electronics: DAE4 Sn601; Calibrated: 03.01.2008
- Phantom: Flat Phantom 5.0 (front); Type: QD000P50AA
- Measurement SW: DASY4, V4.7 Build 55; Postprocessing SW: SEMCAD, V1.8 Build 172

d=10mm, Pin=100mW, f=5000 MHz/Area Scan (91x91x1):

Measurement grid: dx=10mm, dy=10mm

Maximum value of SAR (interpolated) = 17.0 mW/g

d=10mm, Pin=100mW, f=5000 MHz/Zoom Scan (8x8x10), dist=2mm (8x8x10)/Cube 0:

Measurement grid: dx=4mm, dy=4mm, dz=2.5mm

Reference Value = 48.8 V/m; Power Drift = -0.006 dB

Peak SAR (extrapolated) = 29.3 W/kg

SAR(1 g) = 8.06 mW/g; SAR(10 g) = 2.3 mW/g

Maximum value of SAR (measured) = 15.4 mW/g

d=10mm, Pin=100mW, f=5200 MHz/Zoom Scan (8x8x10), dist=2mm (8x8x10)/Cube 0:

Measurement grid: dx=4mm, dy=4mm, dz=2.5mm

Reference Value = 47.6 V/m; Power Drift = 0.064 dB

Peak SAR (extrapolated) = 30.3 W/kg

SAR(1 g) = 8.1 mW/g; SAR(10 g) = 2.28 mW/g

Maximum value of SAR (measured) = 15.5 mW/g

d=10mm, Pin=100mW, f=5500 MHz/Zoom Scan (8x8x10), dist=2mm 2 (8x8x10)/Cube 0:

Measurement grid: dx=4mm, dy=4mm, dz=2.5mm

Reference Value = 47.6 V/m; Power Drift = 0.134 dB

Peak SAR (extrapolated) = 33.4 W/kg

SAR(1 g) = 8.46 mW/g; SAR(10 g) = 2.38 mW/g

Maximum value of SAR (measured) = 16.9 mW/g

d=10mm, Pin=100mW, f=5800 MHz/Zoom Scan (8x8x10), dist=2mm (8x8x10)/Cube 0:

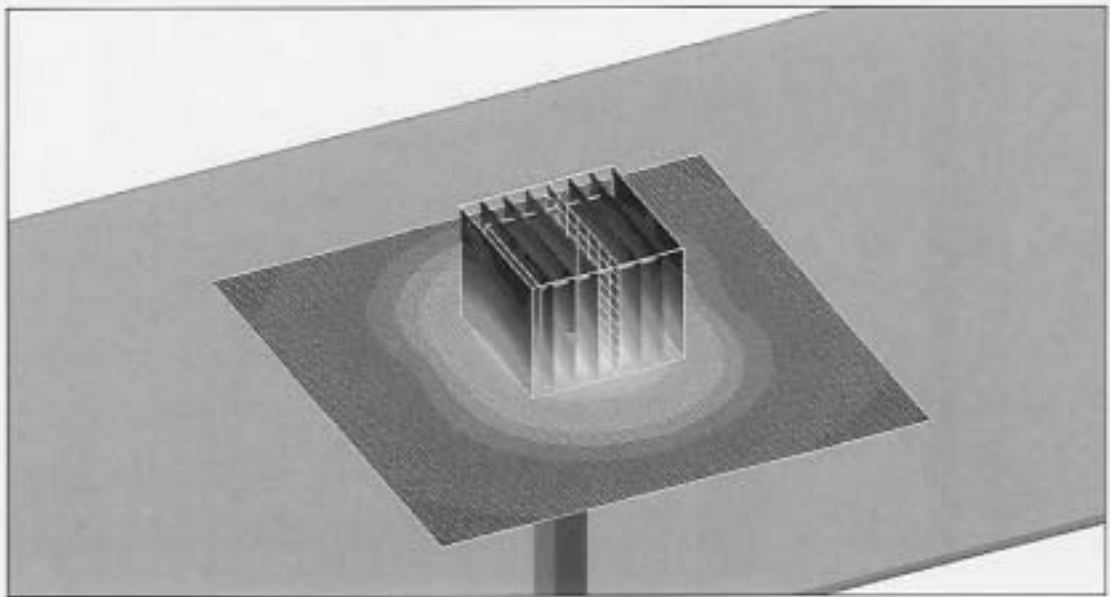
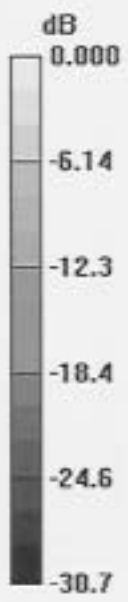
Measurement grid: dx=4mm, dy=4mm, dz=2.5mm

Reference Value = 45.2 V/m; Power Drift = -0.008 dB

Peak SAR (extrapolated) = 34.0 W/kg

SAR(1 g) = 8.18 mW/g; SAR(10 g) = 2.29 mW/g

Maximum value of SAR (measured) = 16.4 mW/g

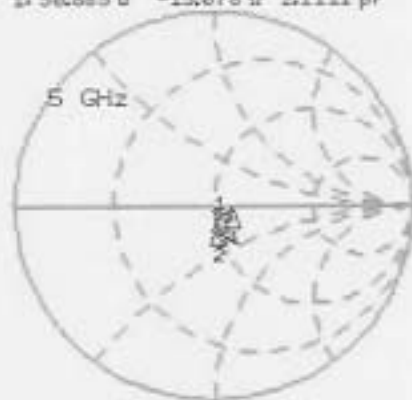


0 dB = 16.4mW/g

Impedance Measurement Plot for Head TSL

18 Jan 2008 13:17:13
 [COR] S11 1 U FS 1: 50.085 Ω -15.078 Ω 2.1111 pF 5 000.000 000 MHz

 Del
 Cor



CH1 Markers

- 1: 50.085 Ω
- 2: -15.078 Ω
- 3: 5.00000 GHz
- 4: 52.000 Ω
- 5: -2.0750 Ω
- 6: 5.50000 GHz
- 7: 55.000 Ω
- 8: -1.1270 Ω
- 9: 5.80000 GHz

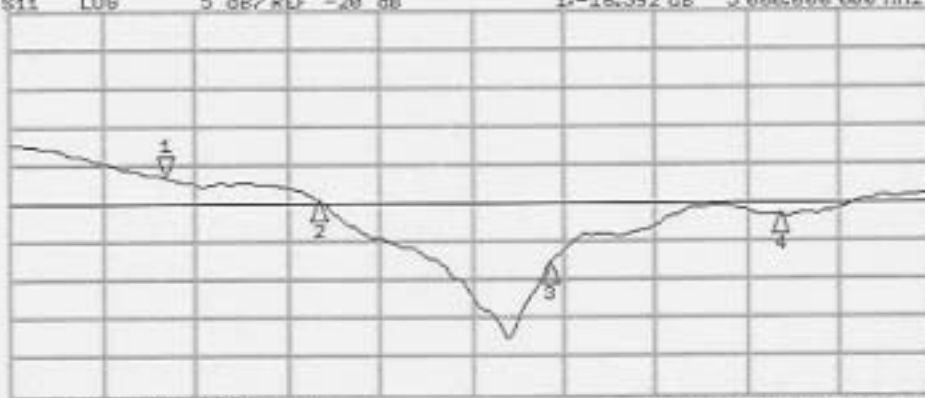
Avg
 16
 †

CH2 S11 LOG 5 dB/REF -20 dB 1:-16.592 dB 5 000.000 000 MHz

Cor

Avg
 16

†



CH2 Markers

- 1: -19.691 dB
- 2: 5.20000 GHz
- 3: -20.037 dB
- 4: 5.50000 GHz
- 5: -21.598 dB
- 6: 5.80000 GHz

START 4 800.000 000 MHz

STOP 6 000.000 000 MHz

DASY4 Validation Report for Body TSL

Date/Time: 24.01.2008 13:08:30

Test Laboratory: SPEAG, Zurich, Switzerland

DUT: Dipole 5GHz; Type: D5GHz; Serial: D5GHzV2 - SN:1004

Communication System: CW-5GHz; Frequency: 5000 MHz, 5200 MHz, 5500 MHz, 5800 MHz; Duty Cycle: 1:1

Medium: MSL 5800 MHz;

Medium parameters used: $f = 5000$ MHz; $\sigma = 5.05$ mho/m; $\epsilon_r = 47.9$; $\rho = 1000$ kg/m³

Medium parameters used: $f = 5200$ MHz; $\sigma = 5.34$ mho/m; $\epsilon_r = 47.3$; $\rho = 1000$ kg/m³

Medium parameters used: $f = 5500$ MHz; $\sigma = 5.7$ mho/m; $\epsilon_r = 46.6$; $\rho = 1000$ kg/m³

Medium parameters used: $f = 5800$ MHz; $\sigma = 6.13$ mho/m; $\epsilon_r = 46$; $\rho = 1000$ kg/m³

Phantom section: Flat Section

Measurement Standard: DASY4 (High Precision Assessment)

DASY4 Configuration:

- Probe: EX3DV4 - SN3503; ConvF(5.13, 5.13, 5.13), ConvF(4.96, 4.96, 4.96), ConvF(4.63, 4.63, 4.63), ConvF(4.76, 4.76, 4.76); Calibrated: 09.03.2007
- Sensor-Surface: 2mm (Mechanical Surface Detection)
- Electronics: DAE4 Sn601; Calibrated: 03.01.2008
- Phantom: Flat Phantom 5.0 (front); Type: QD000P50AA
- Measurement SW: DASY4, V4.7 Build 55; Postprocessing SW: SEMCAD, V1.8 Build 172

d=10mm, Pin=100mW, f=5000 MHz/Area Scan (61x61x1): Measurement grid: dx=10mm, dy=10mm

Maximum value of SAR (interpolated) = 15.8 mW/g

d=10mm, Pin=100mW, f=5000 MHz/Zoom Scan (8x8x10), dist=2mm (8x8x10)/Cube 0:

Measurement grid: dx=4mm, dy=4mm, dz=2.5mm

Reference Value = 49.5 V/m; Power Drift = -0.035 dB

Peak SAR (extrapolated) = 27.1 W/kg

SAR(1 g) = 7.62 mW/g; SAR(10 g) = 2.16 mW/g

Maximum value of SAR (measured) = 14.8 mW/g

d=10mm, Pin=100mW, f=5200 MHz/Zoom Scan (8x8x10), dist=2mm (8x8x10)/Cube 0:

Measurement grid: dx=4mm, dy=4mm, dz=2.5mm

Reference Value = 49.3 V/m; Power Drift = -0.028 dB

Peak SAR (extrapolated) = 28.9 W/kg

SAR(1 g) = 7.84 mW/g; SAR(10 g) = 2.19 mW/g

Maximum value of SAR (measured) = 15.4 mW/g

d=10mm, Pin=100mW, f=5500 MHz/Zoom Scan (8x8x10), dist=2mm (8x8x10)/Cube 0:

Measurement grid: dx=4mm, dy=4mm, dz=2.5mm

Reference Value = 48.3 V/m; Power Drift = -0.088 dB

Peak SAR (extrapolated) = 31.9 W/kg

SAR(1 g) = 8.16 mW/g; SAR(10 g) = 2.27 mW/g

Maximum value of SAR (measured) = 15.9 mW/g

d=10mm, Pin=100mW, f=5800 MHz/Zoom Scan (8x8x10), dist=2mm (8x8x10)/Cube 0:

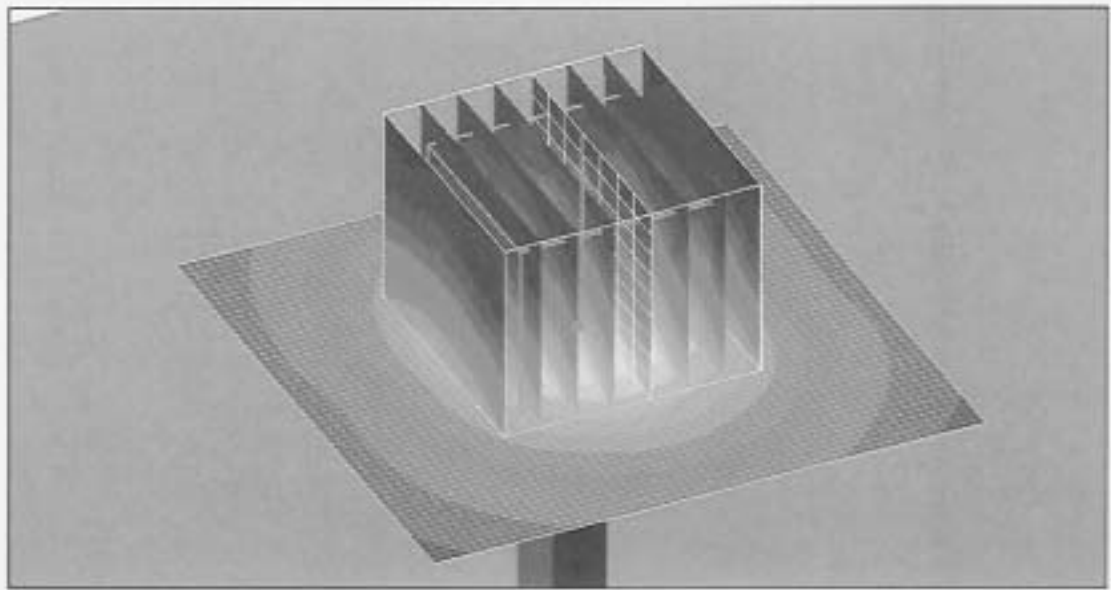
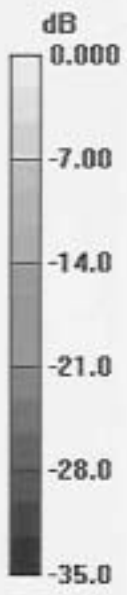
Measurement grid: dx=4mm, dy=4mm, dz=2.5mm

Reference Value = 43.8 V/m; Power Drift = -0.044 dB

Peak SAR (extrapolated) = 29.3 W/kg

SAR(1 g) = 7.21 mW/g; SAR(10 g) = 2 mW/g

Maximum value of SAR (measured) = 14.5 mW/g



0 dB = 14.5mW/g

Impedance Measurement Plot for Body TSL

