



A D T

SAR TEST REPORT

REPORT NO.: SA981208H07

MODEL NO.: Cisco AM10

RECEIVED: Dec. 08, 2009

TESTED: Jan. 12 ~ Jan. 14, 2010

ISSUED: Jan. 19, 2010

APPLICANT: Cisco-Linksys, LLC

ADDRESS: 121 Theory Drive, Irvine, CA 92617, USA

ISSUED BY: Bureau Veritas Consumer Products Services
(H.K.) Ltd., Taoyuan Branch

LAB ADDRESS: No. 47, 14th Ling, Chia Pau Tsuen, Lin Kou
Hsiang, Taipei Hsien 244, Taiwan, R.O.C.

TEST LOCATION: No. 19, Hwa Ya 2nd Rd, Wen Hwa Tsuen, Kwei
Shan Hsiang, Taoyuan Hsien 333, Taiwan, R.O.C.

This test report consists of 39 pages in total except Appendix. It may be duplicated completely for legal use with the approval of the applicant. It should not be reproduced except in full, without the written approval of our laboratory. The client should not use it to claim product endorsement by TAF or any government agencies. The test results in the report only apply to the tested sample.





TABLE OF CONTENTS

1.	CERTIFICATION	3
2.	GENERAL INFORMATION	4
2.1	GENERAL DESCRIPTION OF EUT	4
2.2	GENERAL DESCRIPTION OF APPLIED STANDARDS	5
2.3	GENERAL INFORMATION OF THE SAR SYSTEM	6
2.4	TEST EQUIPMENT	9
2.5	GENERAL DESCRIPTION OF THE SPATIAL PEAK SAR EVALUATION	10
3.	DESCRIPTION OF SUPPORT UNITS	13
4.	DESCRIPTION OF TEST MODES AND CONFIGURATIONS	14
4.1.	DESCRIPTION OF TEST CONDITION	14
4.2.	CHECK FOR SCAN RESOLUTION	14
4.3.	DESCRIPTION OF TEST MODE	15
4.4.	SUMMARY OF TEST RESULTS	18
5.	TEST RESULTS	20
5.1	TEST PROCEDURES	20
5.2	MEASURED SAR RESULT	22
5.3	SAR LIMITS	24
5.4	RECIPES FOR TISSUE SIMULATING LIQUIDS	25
6.	SYSTEM VALIDATION	29
6.1	TEST PROCEDURE	29
6.2	VALIDATION RESULTS	31
6.3	SYSTEM VALIDATION UNCERTAINTIES	32
7.	MEASUREMENT SAR PROCEDURE UNCERTAINTIES	33
7.1.	PROBE CALIBRATION UNCERTAINTY	33
7.2.	ISOTROPY UNCERTAINTY	34
7.3.	BOUNDARY EFFECT UNCERTAINTY	34
7.4.	PROBE LINEARITY UNCERTAINTY	35
7.5.	READOUT ELECTRONICS UNCERTAINTY	35
7.6.	RESPONSE TIME UNCERTAINTY	35
7.7.	PROBE POSITIONER MECHANICAL TOLERANCE	36
7.8.	PROBE POSITIONING	36
7.9.	PHANTOM UNCERTAINTY	37
7.10.	DASY5 UNCERTAINTY BUDGET	38
8.	INFORMATION ON THE TESTING LABORATORIES	39
	APPENDIX A: TEST CONFIGURATIONS AND TEST DATA	
	APPENDIX B: ADT SAR MEASUREMENT SYSTEM	
	APPENDIX C: PHOTOGRAPHS OF SYSTEM VALIDATION	
	APPENDIX D: SYSTEM CERTIFICATE & CALIBRATION	



1. CERTIFICATION

PRODUCT: Cisco AM10 USB Network Adapter
MODEL: Cisco AM10
BRAND: Cisco
APPLICANT: Cisco-Linksys, LLC
TESTED: Jan. 12 ~ Jan. 14, 2010
TEST SAMPLE: R&D SAMPLE
STANDARDS: **FCC Part 2 (Section 2.1093)**
FCC OET Bulletin 65, Supplement C (01-01)
RSS-102

The above equipment (model: Cisco AM10) has been tested by **Bureau Veritas Consumer Products Services (H.K.) Ltd., Taoyuan Branch**, and found compliance with the requirement of the above standards. The test record, data evaluation & Equipment Under Test (EUT) configurations represented herein are true and accurate accounts of the measurements of the sample's EMC characteristics under the conditions specified in this report.

PREPARED BY : Ivy Lin , **DATE:** Jan. 19, 2010
Ivy Lin / Specialist

TECHNICAL ACCEPTANCE : Mason Chang , **DATE:** Jan. 19, 2010
Responsible for RF Mason Chang / Engineer

APPROVED BY : Gary Chang , **DATE:** Jan. 19, 2010
Gary Chang / Assistant Manager



2. GENERAL INFORMATION

2.1 GENERAL DESCRIPTION OF EUT

EUT	Cisco AM10 USB Network Adapter	
MODEL NO.	Cisco AM10	
FCC ID	Q87-AM10	
IC ID	3839A-AM10	
POWER SUPPLY	5Vdc	
MODULATION TYPE	CCK, DQPSK, DBPSK for DSSS 64QAM, 16QAM, QPSK, BPSK for OFDM	
MODULATION TECHNOLOGY	DSSS, OFDM	
TRANSFER RATE	802.11b: 11/5.5/2/1Mbps 802.11g: 54/48/36/24/18/12/9/6Mbps 11n HT20 (800ns GI) MCS15-8: 130/117/104/78/52/39/26/13Mbps MCS7-0: 65/58.5/52/39/26/19.5/13/6.5 Mbps 11n HT40 (800ns GI) MCS15-8: 270/243/216/162/108 /81/54/27Mbps MCS7-0: 135/121.5/108/81/54/40.5/27/13.5Mbps	
OPERATING FREQUENCY	2412 ~ 2462MHz	
NUMBER OF CHANNEL	11 for 802.11b, 802.11g, 802.11n (20MHz) 7 for 802.11n (40MHz)	
CHANNEL FREQUENCIES UNDER TEST AND ITS CONDUCTED OUTPUT POWER	802.11b:	
	Antenna 1	Antenna 2
	22.4dBm / Ch11: 2462MHz	22.3dBm / Ch11: 2462MHz
	802.11g:	
	Antenna 1	Antenna 2
	24.3dBm / Ch1: 2412MHz	24.1dBm / Ch1: 2412MHz
	802.11n (20MHz): 27.2dBm / Ch11: 2462MHz 802.11n (40MHz): 27.3dBm / Ch7: 2452MHz	
MAXIMUM SAR (1g)	0.723W/kg	
ANTENNA TYPE	Please see note 1	
ANTENNA CONNECTOR	NA	
DATA CABLE	USB stand (With one USB cable, 1.6m, Shielded)	
I/O PORTS	USB	
ACCESSORY DEVICES	NA	



NOTE:

1. There are two antennas provided to this EUT, please refer to the following table:

No.	Antenna Type	Gain (dBi)	Antenna Connector	Remark
1	PCB Printed	0	NA	Both TX / RX
2	PCB Printed	0	NA	Both TX / RX

2. The EUT incorporates a MIMO function with 802.11n. Physically, the EUT provides two completed transmitters and two completed receivers.
3. The EUT is 2 * 2 spatial MIMO (2Tx & 2Rx) without beam forming function. The antenna configurations are two transmitter antennas and two receiver antennas, as there are 2 PCB Printed antennas. Spatial multiplexing modes for simultaneous transmission using 2 antennas, and for simultaneous receiver using 2 antennas. The 11b/g legacy mode is limited to single transmitter only.
4. The EUT complies with 802.11n standards and backwards compatible with 802.11b, 802.11g products.
5. The above EUT information was declared by manufacturer and for more detailed features description, please refer to the manufacturer's specifications or user's manual.

2.2 GENERAL DESCRIPTION OF APPLIED STANDARDS

According to the specifications of the manufacturer, this product must comply with the requirements of the following standards:

FCC Part 2 (2.1093)

FCC OET Bulletin 65, Supplement C (01- 01)

RSS-102

IEEE 1528-2003

All test items have been performed and recorded as per the above standards.

2.3 GENERAL INFORMATION OF THE SAR SYSTEM

DASY5 (software 5.2 Build 157) consists of high precision robot, probe alignment sensor, phantom, robot controller, controlled measurement server and near-field probe. The robot includes six axes that can move to the precision position of the DASY5 software defined. The DASY5 software can define the area that is detected by the probe. The robot is connected to controlled box. Controlled measurement server is connected to the controlled robot box. The DAE includes amplifier, signal multiplexing, AD converter, offset measurement and surface detection. It is connected to the Electro-optical coupler (ECO). The ECO performs the conversion from the optical into digital electric signal of the DAE and transfers data to the PC.

EX3DV4 ISOTROPIC E-FIELD PROBE

CONSTRUCTION	Symmetrical design with triangular core Built-in shielding against static charges PEEK enclosure material (resistant to organic solvents, e.g., DGBE)
FREQUENCY	10 MHz to > 6 GHz Linearity: ± 0.2 dB (30 MHz to 6 GHz)
DIRECTIVITY	± 0.3 dB in HSL (rotation around probe axis) ± 0.5 dB in tissue material (rotation normal to probe axis)
DYNAMIC RANGE	10 μ W/g to > 100 mW/g Linearity: ± 0.2 dB (noise: typically < 1 μ W/g)
DIMENSIONS	Overall length: 330 mm (Tip: 20 mm) Tip diameter: 2.5 mm (Body: 12 mm) Typical distance from probe tip to dipole centers: 1 mm
APPLICATION	High precision dosimetric measurements in any exposure scenario (e.g., very strong gradient fields). Only probe which enables compliance testing for frequencies up to 6 GHz with precision of better 30%.

NOTE

1. The Probe parameters have been calibrated by the SPEAG. Please reference "APPENDIX D" for the Calibration Certification Report.
2. For frequencies above 800MHz, calibration in a rectangular wave-guide is used, because wave-guide size is manageable.
3. For frequencies below 800MHz, temperature transfer calibration is used because the wave-guide size becomes relatively large.



TWIN SAM V4.0

CONSTRUCTION

The shell corresponds to the specifications of the Specific Anthropomorphic Mannequin (SAM) phantom defined in IEEE 1528-2003, EN 62209-1 and IEC 62209. It enables the dosimetric evaluation of left and right hand phone usage as well as body mounted usage at the flat phantom region. A cover prevents evaporation of the liquid. Reference markings on the phantom allow the complete setup of all predefined phantom positions and measurement grids by manually teaching three points with the robot.

SHELL THICKNESS

2 ± 0.2mm

FILLING VOLUME

Approx. 25liters

DIMENSIONS

Height: 810mm; Length: 1000mm; Width: 500mm

SYSTEM VALIDATION KITS:

CONSTRUCTION

Symmetrical dipole with 1/4 balun enables measurement of feedpoint impedance with NWA matched for use near flat phantoms filled with brain simulating solutions. Includes distance holder and tripod adaptor

CALIBRATION

Calibrated SAR value for specified position and input power at the flat phantom in brain simulating solutions

FREQUENCY

2450MHz

RETURN LOSS

> 20dB at specified validation position

POWER CAPABILITY

> 100W (f < 1GHz); > 40W (f > 1GHz)

OPTIONS

Dipoles for other frequencies or solutions and other calibration conditions upon request



DEVICE HOLDER FOR SAM TWIN PHANTOM

CONSTRUCTION

The device holder for the mobile phone device is designed to cope with different positions given in the standard. It has two scales for the device rotation (with respect to the body axis) and the device inclination (with respect to the line between the ear reference points). The rotation centers for both scales is the ear reference point (ERP). Thus the device needs no repositioning when changing the angles. The holder has been made out of low-loss POM material having the following dielectric parameters: relative permittivity $\varepsilon = 3$ and loss tangent $\delta = 0.02$. The amount of dielectric material has been reduced in the closest vicinity of the device, since measurements have suggested that the influence of the clamp on the test results could thus be lowered. The device holder for the portable device makes up of the polyethylene foam. The dielectric parameters of material close to the dielectric parameters of the air.

DATA ACQUISITION ELECTRONICS

CONSTRUCTION

The data acquisition electronics (DAE3) consists of a highly sensitive electrometer grade preamplifier with auto-zeroing, a channel and gain-switching multiplex, a fast 16 bit AD converter and a command decoder and control logic unit. Transmission to the measurement server is accomplished through an optical downlink for data and status information as well as an optical uplink for commands and the clock. The mechanical probe is mounting device includes two different sensor systems for frontal and sideways probe contacts. They are used for mechanical surface detection and probe collision detection. The input impedance of the DAE3 box is 200M Ω ; the inputs are symmetrical and floating. Common mode rejection is above 80 dB.



2.4 TEST EQUIPMENT

FOR SAR MEASUREMENT

ITEM	NAME	BRAND	TYPE	SERIES NO.	DATE OF CALIBRATION	DUE DATE OF CALIBRATION
1	SAM Phantom	S & P	QD000 P40 CA	TP-1150	NA	NA
2	Signal Generator	Anritsu	68247B	984703	May 21, 2009	May 20, 2010
3	E-Field Probe	S & P	EX3DV4	3590	Apr. 28, 2009	Apr. 27, 2010
4	DAE	S & P	DAE 3	510	Jan. 21, 2009	Jan. 20, 2010
5	Robot Positioner	Staubli Unimation	NA	NA	NA	NA
6	Validation Dipole	S & P	D2450V2	716	Mar. 17, 2009	Mar. 16, 2010

NOTE: Before starting the measurement, all test equipment shall be warmed up for 30min.

FOR TISSUE PROPERTY

ITEM	NAME	BRAND	TYPE	SERIES NO.	DATE OF CALIBRATION	DUE DATE OF CALIBRATION
1	Network Analyzer	Agilent	E8358A	US41480538	Dec. 03, 2009	Dec. 02, 2010
2	Dielectric Probe	Agilent	85070D	US01440176	NA	NA

NOTE:

1. Before starting, all test equipment shall be warmed up for 30min.
2. The tolerance ($k=1$) specified by Agilent for general dielectric measurements, deriving from inaccuracies in the calibration data, analyzer drift, and random errors, are usually $\pm 2.5\%$ and $\pm 5\%$ for measured permittivity and conductivity, respectively. However, the tolerances for the conductivity is smaller for material with large loss tangents, i.e., less than $\pm 2.5\%$ ($k=1$). It can be substantially smaller if more accurate methods are applied.



2.5 GENERAL DESCRIPTION OF THE SPATIAL PEAK SAR EVALUATION

The DASY5 post-processing software (SEMCAD) automatically executes the following procedures to calculate the field units from the micro-volt readings at the probe connector. The parameters used in the evaluation are stored in the configuration modules of the software:

Probe parameters:	- Sensitivity	Norm _i , a _{i0} , a _{i1} , a _{i2}
	- Conversion factor	ConvF _i
	- Diode compression point	dcp _i
Device parameters:	- Frequency	F
	- Crest factor	Cf
Media parameters:	- Conductivity	σ
	- Density	ρ

The first step of the evaluation is a linearization of the filtered input signal to account for the compression characteristics of the detector diode. The compensation depends on the input signal, the diode type and the DC-transmission factor from the diode to the evaluation electronics. If the exciting field is pulsed, the crest factor of the signal must be known to correctly compensate for peak power. The formula for each channel can be given as:

$$V_i = U_i + U_i^2 \cdot \frac{cf}{dcp_i}$$

V _i	=compensated signal of channel i	(i = x, y, z)
U _i	=input signal of channel I	(i = x, y, z)
Cf	=crest factor of exciting field	(DASY parameter)
dcp _i	=diode compression point	(DASY parameter)

From the compensated input signals the primary field data for each channel can be evaluated:

$$\text{E-field probes: } E_i = \sqrt{\frac{V_i}{\text{Norm}_i \cdot \text{ConvF}}}$$

$$\text{H-field probes: } H_i = \sqrt{V_i} \cdot \frac{a_{i0} + a_{i1}f + a_{i2}f^2}{f}$$

- V_i = compensated signal of channel i ($i = x, y, z$)
- Norm_i = sensor sensitivity of channel i $\mu\text{V}/(\text{V/m})^2$ for E-field Probes ($i = x, y, z$)
- ConvF = sensitivity enhancement in solution
- a_{ij} = sensor sensitivity factors for H-field probes
- f = carrier frequency [GHz]
- E_i = electric field strength of channel i in V/m
- H_i = magnetic field strength of channel i in A/m

The RSS value of the field components gives the total field strength (Hermitian magnitude):

$$E_{tot} = \sqrt{E_x^2 + E_y^2 + E_z^2}$$

The primary field data are used to calculate the derived field units.

$$SAR = E_{tot}^2 \cdot \frac{\sigma}{\rho \cdot 1'000}$$

- SAR = local specific absorption rate in mW/g
- E_{tot} = total field strength in V/m
- σ = conductivity in [mho/m] or [Siemens/m]
- ρ = equivalent tissue density in g/cm³

Note that the density is set to 1, to account for actual head tissue density rather than the density of the tissue simulating liquid. The entire evaluation of the spatial peak values is performed within the Post-processing engine (SEMCAD). The system always gives the maximum values for the 1g and 10g cubes. The algorithm to find the cube with highest averaged SAR is divided into the following stages:

1. The extraction of the measured data (grid and values) from the Zoom Scan
2. The calculation of the SAR value at every measurement point based on all stored data (A/D values and measurement parameters)
3. The generation of a high-resolution mesh within the measured volume
4. The interpolation of all measured values from the measurement grid to the high-resolution grid
5. The extrapolation of the entire 3-D field distribution to the phantom surface over the distance from sensor to surface
6. The calculation of the averaged SAR within masses of 1g and 10g.

The probe is calibrated at the center of the dipole sensors that is located 1 to 2.7mm away from the probe tip. During measurements, the probe stops shortly above the phantom surface, depending on the probe and the surface detecting system. Both distances are included as parameters in the probe configuration file. The software always knows exactly how far away the measured point is from the surface. As the probe cannot directly measure at the surface, the values between the deepest measured point and the surface must be extrapolated. The angle between the probe axis and the surface normal line is less than 30 degree.



The maximum search is automatically performed after each area scan measurement. It is based on splines in two or three dimensions. The procedure can find the maximum for most SAR distributions even with relatively large grid spacing. After the area scanning measurement, the probe is automatically moved to a position at the interpolated maximum. The following scan can directly use this position for reference, e.g., for a finer resolution grid or the cube evaluations. The 1g and 10g peak evaluations are only available for the predefined cube 7 x 7 x 7 scans. The routines are verified and optimized for the grid dimensions used in these cube measurements. The measured volume of 30 x 30 x 30mm contains about 30g of tissue. The first procedure is an extrapolation (incl. boundary correction) to get the points between the lowest measured plane and the surface. The next step uses 3D interpolation to get all points within the measured volume in a 1mm grid (42875 points). In the last step, a 1g cube is placed numerically into the volume and its averaged SAR is calculated. This cube is the moved around until the highest averaged SAR is found. If the highest SAR is found at the edge of the measured volume, the system will issue a warning: higher SAR values might be found outside of the measured volume. In that case the cube measurement can be repeated, using the new interpolated maximum as the center.

3. DESCRIPTION OF SUPPORT UNITS

The EUT has been tested as an independent unit together with other necessary accessories or support units. The following support units or accessories were used to form a representative test configuration during the tests.

NO.	PRODUCT	BRAND	MODEL NO.	SERIAL NO.	FCC ID
1	NOTEBOOK	DELL	PP18L	29144041120	CXSMM01BRD02D330

NO.	SIGNAL CABLE DESCRIPTION OF THE ABOVE SUPPORT UNITS
1	NA

NOTE: All power cords of the above support units are non shielded (1.8m).

4. DESCRIPTION OF TEST MODES AND CONFIGURATIONS

4.1. DESCRIPTION OF TEST CONDITION

TEST DATE	TEST ITEM	TEMPERATURE(°C)		HUMIDITY(%RH)	TESTED BY
		AIMBENT	LIQUID		
Jan. 12, 2010	1 ~ 18	23.0	22.5	62	Aaron Liang
Jan. 13, 2010	19 ~ 24	23.2	22.7	61	Aaron Liang
Jan. 14, 2010	25 ~ 30	23.1	22.6	61	Aaron Liang

4.2. CHECK FOR SCAN RESOLUTION

Compare with different scan resolution

With EUT hold on the worst case configuration with no any change in position or setting, 2 scans with different resolutions are preformed to evaluate the impact on the SAR value.

Test data as below:

AREA SCAN RESOLUTION	ZOOM SCAN RESOLUTION	SAR VALUE(W/KG)
5mm	5mm	0.723
5mm	2.5mm	0.719

Conclusion: No meaningful change detected.

4.3. DESCRIPTION OF TEST MODE

Test Tool:

Test tool is RT3x7x_QA Ver 1.5.6.2 provided by client. It can control EUT to transmit continuously at specific channel, output power level, data rates and 100 % duty signal.

Test Date Rate:

“Per KDB 248277, for each frequency band, testing at higher data rates and higher order modulations is not required when the maximum average output power for each of these configurations is less than $\frac{1}{4}$ dB higher than those measured at the lowest data rate.”

Comparing output power of all modulations and data rates of each mode can find the lowest data rates has max output power. Therefore, EUT will set under lowest data rates to test.

Test Channel:

“Per KDB 447498, when the SAR procedures require multiple channels to be tested and the 1-g SAR for the highest output channel is less than 0.8 W/kg and peak SAR is less than 1.6 W/kg, where the transmission band corresponding to all channels is ≤ 100 MHz, testing for the other channels is not required.”

According to test data from table of section 4.4, SAR value of highest output power channel are less than 0.8 W/kg and Peak SAR values are less than 1.6W/kg. Therefore, testing for other channels is not required.

Test Position:

There are 5 test positions in the report.

- ✧ Horizontal-Up
- ✧ Horizontal-Down
- ✧ Vertical-Front
- ✧ Vertical-Back
- ✧ Tail

Test Mode Table:

ITEM	TEST MODE	MODULATION	ASSESSMENT POSITION	TESTED CHANNEL	ANTENNA
1	802.11b	DBPSK	Vertical-Back	11	Ant 1
2	802.11b	DBPSK		11	Ant 2
3	802.11g	BPSK		1	Ant 1
4	802.11g	BPSK		1	Ant 2
5	802.11n (20MHz)	BPSK		11	Ant 1, Ant 2
6	802.11n (40MHz)	BPSK		7	Ant 1, Ant 2
7	802.11b	DBPSK	Vertical-Front	11	Ant 1
8	802.11b	DBPSK		11	Ant 2
9	802.11g	BPSK		1	Ant 1
10	802.11g	BPSK		1	Ant 2
11	802.11n (20MHz)	BPSK		11	Ant 1, Ant 2
12	802.11n (40MHz)	BPSK		7	Ant 1, Ant 2
13	802.11b	DBPSK	Tail	11	Ant 1
14	802.11b	DBPSK		11	Ant 2
15	802.11g	BPSK		1	Ant 1
16	802.11g	BPSK		1	Ant 2
17	802.11n (20MHz)	BPSK		11	Ant 1, Ant 2
18	802.11n (40MHz)	BPSK		7	Ant 1, Ant 2
19	802.11b	DBPSK	Horizontal-Up	11	Ant 1
20	802.11b	DBPSK		11	Ant 2
21	802.11g	BPSK		1	Ant 1
22	802.11g	BPSK		1	Ant 2
23	802.11n (20MHz)	BPSK		11	Ant 1, Ant 2
24	802.11n (40MHz)	BPSK		7	Ant 1, Ant 2

NOTE: Assessment position of the EUT please refer to the test set up photo.



25	802.11b	DBPSK	Horizontal-Down	11	Ant 1
26	802.11b	DBPSK		11	Ant 2
27	802.11g	BPSK		1	Ant 1
28	802.11g	BPSK		1	Ant 2
29	802.11n (20MHz)	BPSK		11	Ant 1, Ant 2
30	802.11n (40MHz)	BPSK		7	Ant 1, Ant 2

NOTE: Assessment position of the EUT please refer to the test set up photo.



4.4. SUMMARY OF TEST RESULTS

ITEM		1	2	3	4	5	ITEM		6	
TEST MODE		802.11b	802.11b	802.11g	802.11g	802.11n (20MHz)	TEST MODE		802.11n (40MHz)	
CHAN.	FREQ. (MHz)	MEASURED VALUE OF 1g SAR (W/kg)					CHAN.	FREQ. (MHz)	MEASURED VALUE OF 1g SAR (W/kg)	
1	2412 (Low)	-	-	0.01500	0.03400	-	1	2422 (Low)	-	
6	2437 (Mid.)	-	-	-	-	-	4	2437 (Mid.)	-	
11	2462 (High)	0.05700	0.12700	-	-	0.07900	7	2452 (High)	0.06200	

ITEM		7	8	9	10	11	ITEM		12	
TEST MODE		802.11b	802.11b	802.11g	802.11g	802.11n (20MHz)	TEST MODE		802.11n (40MHz)	
CHAN.	FREQ. (MHz)	MEASURED VALUE OF 1g SAR (W/kg)					CHAN.	FREQ. (MHz)	MEASURED VALUE OF 1g SAR (W/kg)	
1	2412 (Low)	-	-	0.02100	0.00918	-	1	2422 (Low)	-	
6	2437 (Mid.)	-	-	-	-	-	4	2437 (Mid.)	-	
11	2462 (High)	0.11500	0.05100	-	-	0.05500	7	2452 (High)	0.04700	

ITEM		13	14	15	16	17	ITEM		18	
TEST MODE		802.11b	802.11b	802.11g	802.11g	802.11n (20MHz)	TEST MODE		802.11n (40MHz)	
CHAN.	FREQ. (MHz)	MEASURED VALUE OF 1g SAR (W/kg)					CHAN.	FREQ. (MHz)	MEASURED VALUE OF 1g SAR (W/kg)	
1	2412 (Low)	-	-	0.03300	0.03100	-	1	2422 (Low)	-	
6	2437 (Mid.)	-	-	-	-	-	4	2437 (Mid.)	-	
11	2462 (High)	0.08700	0.08200	-	-	0.05200	7	2452 (High)	0.03500	

ITEM		19	20	21	22	23	ITEM		24	
TEST MODE		802.11b	802.11b	802.11g	802.11g	802.11n (20MHz)	TEST MODE		802.11n (40MHz)	
CHAN.	FREQ. (MHz)	MEASURED VALUE OF 1g SAR (W/kg)					CHAN.	FREQ. (MHz)	MEASURED VALUE OF 1g SAR (W/kg)	
1	2412 (Low)	-	-	0.05750	0.06800	-	1	2422 (Low)	-	
6	2437 (Mid.)	-	-	-	-	-	4	2437 (Mid.)	-	
11	2462 (High)	0.57400	0.66400	-	-	0.32900	7	2452 (High)	0.27200	

NOTE: The worst value has been marked by boldface.



A D T

ITEM		25	26	27	28	29	ITEM		30
TEST MODE		802.11b	802.11b	802.11g	802.11g	802.11n (20MHz)	TEST MODE		802.11n (40MHz)
CHAN.	FREQ. (MHz)	MEASURED VALUE OF 1g SAR (W/kg)					CHAN.	FREQ. (MHz)	MEASURED VALUE OF 1g SAR (W/kg)
1	2412 (Low)	-	-	0.08700	0.07500	-	1	2422 (Low)	-
6	2437 (Mid.)	-	-	-	-	-	4	2437 (Mid.)	-
11	2462 (High)	0.72300	0.61500	-	-	0.50400	7	2452 (High)	0.38700

NOTE: The worst value has been marked by boldface.

5. TEST RESULTS

5.1 TEST PROCEDURES

The EUT plugged into the notebook. Use the software to control the EUT channel and transmission power. Then record the conducted power before the testing. Place the EUT to the specific test location. After the testing, must writing down the conducted power of the EUT into the report. The SAR value was calculated via the 3D spline interpolation algorithm that has been implemented in the software of DASY5 SAR measurement system manufactured and calibrated by SPEAG. According to the IEEE 1528 standards, the recommended procedure for assessing the peak spatial-average SAR value consists of the following steps:

- Power reference measurement
- Verification of the power reference measurement
- Area scan
- Zoom scan
- Power reference measurement

The area scan was performed for the highest spatial SAR location. The zoom scan with 30mm x 30mm x 30mm volume was performed for SAR value averaged over 1g and 10g spatial volumes.



A D T

In the zoom scan, the distance between the measurement point at the probe sensor location (geometric center behind the probe tip) and the phantom surface is 3mm and maintained at a constant distance of ± 0.5 mm during a zoom scan to determine peak SAR locations. The distance is 3mm between the first measurement point and the bottom surface of the phantom. The secondary measurement point to the bottom surface of the phantom is with 8mm separation distance. The cube size is 7 x 7 x 7 points consists of 343 points and the grid space is 5mm.

The measurement time is 0.5s at each point of the zoom scan. The probe boundary effect compensation shall be applied during the SAR test. Because of the tip of the probe to the Phantom surface separated distances are longer than half a tip probe diameter.

In the area scan, the separation distance is 3mm between the each measurement point and the phantom surface. The scan size shall be included the transmission portion of the EUT. The measurement time is the same as the zoom scan. At last the reference power drift shall be less than $\pm 5\%$.



5.2 MEASURED SAR RESULT

CHAN.	FREQ. (MHz)	TEST MODE	TX POWER (dBm)	POWER DRIFT (dB)	DEVICE TEST POSITION MODE	MEASURED 1g SAR (W/kg)
11	2462 (High)	802.11b	22.4	-0.185	1	0.05700
11	2462 (High)	802.11b	22.3	-0.083	2	0.12700
1	2412 (Low)	802.11g	24.3	-0.101	3	0.01500
1	2412 (Low)	802.11g	24.1	-0.105	4	0.03400
11	2462 (High)	802.11n (20MHz)	27.2	-0.12	5	0.07900
7	2452 (High)	802.11n (40MHz)	27.3	-0.146	6	0.06200
11	2462 (High)	802.11b	22.4	-0.185	7	0.11500
11	2462 (High)	802.11b	22.3	-0.165	8	0.05100
1	2412 (Low)	802.11g	24.3	0.132	9	0.02100
1	2412 (Low)	802.11g	24.1	-0.087	10	0.00918
11	2462 (High)	802.11n (20MHz)	27.2	-0.12	11	0.05500
7	2452 (High)	802.11n (40MHz)	27.3	-0.18	12	0.04700
11	2462 (High)	802.11b	22.4	0.112	13	0.08700
11	2462 (High)	802.11b	22.3	-0.161	14	0.08200
1	2412 (Low)	802.11g	24.3	0.156	15	0.03300
1	2412 (Low)	802.11g	24.1	-0.138	16	0.03100
11	2462 (High)	802.11n (20MHz)	27.2	0.108	17	0.05200
7	2452 (High)	802.11n (40MHz)	27.3	-0.157	18	0.03500

NOTE:

1. Test configuration of each mode is described in section 4.3.
2. In this testing, the limit for General Population Spatial Peak averaged over 1g, 1.6 W/kg, is applied.
3. Please see the Appendix A for the data.
4. The variation of the EUT conducted power measured before and after SAR testing should not over 5%.



CHAN.	FREQ. (MHz)	TEST MODE	TX POWER (dBm)	POWER DRIFT (dB)	DEVICE TEST POSITION MODE	MEASURED 1g SAR (W/kg)
11	2462 (High)	802.11b	22.4	-0.103	19	0.57400
11	2462 (High)	802.11b	22.3	-0.113	20	0.66400
1	2412 (Low)	802.11g	24.3	-0.158	21	0.05750
1	2412 (Low)	802.11g	24.1	0.049	22	0.06810
11	2462 (High)	802.11n (20MHz)	27.2	-0.182	23	0.32900
7	2452 (High)	802.11n (40MHz)	27.3	-0.153	24	0.27200
11	2462 (High)	802.11b	22.4	-0.093	25	0.72300
11	2462 (High)	802.11b	22.3	-0.107	26	0.61500
1	2412 (Low)	802.11g	24.3	0.117	27	0.08700
1	2412 (Low)	802.11g	24.1	-0.017	28	0.07500
11	2462 (High)	802.11n (20MHz)	27.2	-0.146	29	0.50400
7	2452 (High)	802.11n (40MHz)	27.3	-0.173	30	0.38700

NOTE:

1. Test configuration of each mode is described in section 4.3.
2. In this testing, the limit for General Population Spatial Peak averaged over 1g, 1.6 W/kg, is applied.
3. Please see the Appendix A for the data.
4. The variation of the EUT conducted power measured before and after SAR testing should not over 5%.



5.3 SAR LIMITS

HUMAN EXPOSURE	SAR (W/kg)	
	(GENERAL POPULATION / UNCONTROLLED EXPOSURE ENVIRONMENT)	(OCCUPATIONAL / CONTROLLED EXPOSURE ENVIRONMENT)
Spatial Average (whole body)	0.08	0.4
Spatial Peak (averaged over 1 g)	1.6	8.0
Spatial Peak (hands / wrists / feet / ankles averaged over 10 g)	4.0	20.0

NOTE:

1. This limits accord to 47 CFR 2.1093 – Safety Limit.
2. The EUT property been complied with the partial body exposure limit under the general population environment.

5.4 RECIPES FOR TISSUE SIMULATING LIQUIDS

For the measurement of the field distribution inside the SAM phantom, the phantom must be filled with 25 liters of tissue simulation liquid.

The following ingredients are used :

- **WATER-** Deionized water (pure H₂O), resistivity ≈ 16 M - as basis for the liquid
- **DGMBE-** Diethylenglycol-monobuthyl ether (DGMBE), Fluka Chemie GmbH, CAS # 112-34-5 - to reduce relative permittivity

THE RECIPES FOR 2450MHz SIMULATING LIQUID TABLE

INGREDIENT	HEAD SIMULATING LIQUID 2450MHz (HSL-2450)	MUSCLE SIMULATING LIQUID 2450MHz (MSL-2450)
Water	45%	69.83%
DGMBE	55%	30.17%
Dielectric Parameters at 22°C	f= 2450MHz $\epsilon = 39.2 \pm 5\%$ $\sigma = 1.80 \pm 5\%$ S/m	f= 2450MHz $\epsilon = 52.7 \pm 5\%$ $\sigma = 1.95 \pm 5\%$ S/m

Testing the liquids using the Agilent Network Analyzer E8358A and Agilent Dielectric Probe Kit 85070D. The testing procedure is following as

1. Turn Network Analyzer on and allow at least 30min. warm up.
2. Mount dielectric probe kit so that interconnecting cable to Network Analyzer will not be moved during measurements or calibration.
3. Pour de-ionized water and measure water temperature ($\pm 1^\circ$).
4. Set water temperature in Agilent-Software (Calibration Setup).
5. Perform calibration.
6. Validate calibration with dielectric material of known properties (e.g. polished ceramic slab with $>8\text{mm}$ thickness $\epsilon' = 10.0$, $\epsilon'' = 0.0$). If measured parameters do not fit within tolerance, repeat calibration (± 0.2 for ϵ' : ± 0.1 for ϵ'').
7. Conductivity can be calculated from ϵ'' by $\sigma = \omega \epsilon_0 \epsilon'' = \epsilon'' f [\text{GHz}] / 18$.
8. Measure liquid shortly after calibration. Repeat calibration every hour.
9. Stir the liquid to be measured. Take a sample ($\sim 50\text{ml}$) with a syringe from the center of the liquid container.
10. Pour the liquid into a small glass flask. Hold the syringe at the bottom of the flask to avoid air bubbles.
11. Put the dielectric probe in the glass flask. Check that there are no air bubbles in front of the opening in the dielectric probe kit.
12. Perform measurements.
13. Adjust medium parameters in DASY5 for the frequencies necessary for the measurements ('Setup Config', select medium (e.g. Brain 900MHz) and press 'Option'-button.
14. Select the current medium for the frequency of the validation (e.g. Setup Medium Brain 900MHz).



A D T

FOR 2.4GHz BAND SIMULATING LIQUID

LIQUID TYPE		MSL-2450			
SIMULATING LIQUID TEMP.		22.5			
TEST DATE		Jan. 12, 2010			
TESTED BY		Aaron Laing			
FREQ. (MHz)	LIQUID PARAMETER	STANDARD VALUE	MEASUREMENT VALUE	ERROR PERCENTAGE (%)	LIMIT(%)
2412.0	Permittivity (ϵ)	52.80	54.30	2.84	±5
2450.0		52.70	53.95	2.37	
2452.0		52.70	53.94	2.35	
2462.0		52.70	53.92	2.31	
2412.0	Conductivity (σ) S/m	1.91	1.97	3.14	
2450.0		1.95	2.01	3.08	
2452.0		1.95	2.01	3.08	
2462.0		1.97	2.02	2.54	

FOR 2.4GHz BAND SIMULATING LIQUID

LIQUID TYPE		MSL-2450			
SIMULATING LIQUID TEMP.		22.7			
TEST DATE		Jan. 13, 2010			
TESTED BY		Aaron Laing			
FREQ. (MHz)	LIQUID PARAMETER	STANDARD VALUE	MEASUREMENT VALUE	ERROR PERCENTAGE (%)	LIMIT(%)
2412.0	Permittivity (ϵ)	52.80	54.20	2.65	±5
2450.0		52.70	53.94	2.35	
2452.0		52.70	53.92	2.31	
2462.0		52.70	53.90	2.28	
2412.0	Conductivity (σ) S/m	1.91	1.96	2.62	
2450.0		1.95	2.00	2.56	
2452.0		1.95	2.01	3.08	
2462.0		1.97	2.02	2.54	



A D T

FOR 2.4GHz BAND SIMULATING LIQUID

LIQUID TYPE		MSL-2450			
SIMULATING LIQUID TEMP.		22.6			
TEST DATE		Jan. 14, 2010			
TESTED BY		Aaron Laing			
FREQ. (MHz)	LIQUID PARAMETER	STANDARD VALUE	MEASUREMENT VALUE	ERROR PERCENTAGE (%)	LIMIT(%)
2412.0	Permittivity (ϵ)	52.80	54.20	2.65	±5
2450.0		52.70	53.96	2.39	
2452.0		52.70	53.93	2.33	
2462.0		52.70	53.91	2.30	
2412.0	Conductivity (σ) S/m	1.91	1.97	3.14	
2450.0		1.95	2.01	3.08	
2452.0		1.95	2.02	3.59	
2462.0		1.97	2.03	3.05	



6. SYSTEM VALIDATION

The system validation was performed in the flat phantom with equipment listed in the following table. Since the SAR value is calculated from the measured electric field, dielectric constant and conductivity of the body tissue and the SAR is proportional to the square of the electric field. So, the SAR value will be also proportional to the RF power input to the system validation dipole under the same test environment. In our system validation test, 250mW RF input power was used.

6.1 TEST PROCEDURE

Before the system performance check, we need only to tell the system which components (probe, medium, and device) are used for the system performance check; the system will take care of all parameters. The dipole must be placed beneath the flat section of the SAM Twin Phantom with the correct distance holder in place. The distance holder should touch the phantom surface with a light pressure at the reference marking (little cross) and be oriented parallel to the long side of the phantom. Accurate positioning is not necessary, since the system will search for the peak SAR location, except that the dipole arms should be parallel to the surface. The device holder for mobile phones can be left in place but should be rotated away from the dipole.

1. The "Power Reference Measurement" and "Power Drift Measurement" jobs are located at the beginning and end of the batch process. They measure the field drift at one single point in the liquid over the complete procedure. The indicated drift is mainly the variation of the amplifier output power. If it is too high (above ± 0.1 dB), the system performance check should be repeated; some amplifiers have very high drift during warm-up. A stable amplifier gives drift results in the DASY system below ± 0.02 dB.
2. The "Surface Check" job tests the optical surface detection system of the DASY system by repeatedly detecting the surface with the optical and mechanical surface detector and comparing the results. The output gives the detecting heights of both systems, the difference between the two systems and the standard deviation of the detection repeatability. Air bubbles or refraction in the liquid due to separation of the sugar-water mixture gives poor repeatability (above ± 0.1 mm). In that case it is better to abort the system performance check and stir the liquid.



3. The "Area Scan" job measures the SAR above the dipole on a plane parallel to the surface. It is used to locate the approximate location of the peak SAR. The proposed scan uses large grid spacing for faster measurement; due to the symmetric field, the peak detection is reliable. If a finer graphic is desired, the grid spacing can be reduced. Grid spacing and orientation have no influence on the SAR result.
4. The "Zoom Scan" job measures the field in a volume around the peak SAR value assessed in the previous "Area Scan" job (for more information see the application note on SAR evaluation).

About the validation dipole positioning uncertainty, the constant and low loss dielectric spacer is used to establish the correct distance between the top surface of the dipole and the bottom surface of the phantom, the error component introduced by the uncertainty of the distance between the liquid (i.e., phantom shell) and the validation dipole in the DASYS system is less than ± 0.1 mm.

$$SAR_{tolerance} [\%] = 100 \times \left(\frac{(a + d)^2}{a^2} - 1 \right)$$

As the closest distance is 10mm, the resulting tolerance $SAR_{tolerance} [\%]$ is <2%.



A D T

6.2 VALIDATION RESULTS

SYSTEM VALIDATION TEST OF SIMULATING LIQUID					
FREQUENCY (MHz)	REQUIRED SAR (mW/g)	MEASURED SAR (mW/g)	DEVIATION (%)	SEPARATION DISTANCE	TESTED DATE
MSL2450	13.30 (1g)	13.10	-1.50	10mm	Jan. 12, 2010
MSL2450	13.30 (1g)	13.20	-0.75	10mm	Jan. 13, 2010
MSL2450	13.30 (1g)	13.40	0.75	10mm	Jan. 14, 2010

NOTE: Please see Appendix for the photo of system validation test.

6.3 SYSTEM VALIDATION UNCERTAINTIES

In the table below, the system validation uncertainty with respect to the analytically assessed SAR value of a dipole source as given in the IEEE 1528 standard is given. This uncertainty is smaller than the expected uncertainty for mobile phone measurements due to the simplified setup and the symmetric field distribution.

Error Description	Tolerance (±%)	Probability Distribution	Divisor	(C _i)		Standard Uncertainty (±%)		(v _i)
				(1g)	(10g)	(1g)	(10g)	
Measurement System								
Probe Calibration	5.50	Normal	1	1	1	5.50	5.50	∞
Axial Isotropy	4.70	Rectangular	$\sqrt{3}$	0.7	0.7	1.90	1.90	∞
Hemispherical Isotropy	9.60	Rectangular	$\sqrt{3}$	0.7	0.7	3.88	3.88	∞
Boundary effects	1.00	Rectangular	$\sqrt{3}$	1	1	0.58	0.58	∞
Linearity	4.70	Rectangular	$\sqrt{3}$	1	1	2.71	2.71	∞
System Detection Limits	1.00	Rectangular	$\sqrt{3}$	1	1	0.58	0.58	∞
Readout Electronics	0.30	Normal	1	1	1	0.30	0.30	∞
Response Time	0.80	Rectangular	$\sqrt{3}$	1	1	0.46	0.46	∞
Integration Time	2.60	Rectangular	$\sqrt{3}$	1	1	1.50	1.50	∞
RF Ambient Noise	3.00	Rectangular	$\sqrt{3}$	1	1	1.73	1.73	∞
RF Ambient Reflections	3.00	Rectangular	$\sqrt{3}$	1	1	1.73	1.73	∞
Probe Positioner	0.40	Rectangular	$\sqrt{3}$	1	1	0.23	0.23	∞
Probe Positioning	2.90	Rectangular	$\sqrt{3}$	1	1	1.67	1.67	∞
Max. SAR Eval.	1.00	Rectangular	$\sqrt{3}$	1	1	0.58	0.58	∞
Dipole Related								
Dipole Axis to Liquid Distance	2.00	Rectangular	$\sqrt{3}$	1	1	1.15	1.15	145
Input Power Drift	5.00	Rectangular	$\sqrt{3}$	1	1	2.89	2.89	∞
Phantom and Tissue parameters								
Phantom Uncertainty	4.00	Rectangular	$\sqrt{3}$	1	1	2.31	2.31	∞
Liquid Conductivity (target)	5.00	Rectangular	$\sqrt{3}$	0.64	0.43	1.85	1.24	∞
Liquid Conductivity (measurement)	4.12	Normal	1	0.64	0.43	2.64	1.77	∞
Liquid Permittivity (target)	5.00	Rectangular	$\sqrt{3}$	0.6	0.49	1.73	1.41	∞
Liquid Permittivity (measurement)	3.49	Normal	1	0.6	0.49	2.09	1.71	∞
Combined Standard Uncertainty						10.07	9.66	
Coverage Factor for 95%						Kp=2		
Expanded Uncertainty (K=2)						20.14	19.32	

NOTE: About the system validation uncertainty assessment, please reference the section 7.



7. MEASUREMENT SAR PROCEDURE UNCERTAINTIES

The assessment of spatial peak SAR of the hand handheld devices is according to IEEE 1528 / EN 62209-1. All testing situation shall be met below these requirements.

- The system is used by an experienced engineer who follows the manual and the guidelines taught during the training provided by SPEAG.
- The probe has been calibrated within the requested period and the stated uncertainty for the relevant frequency bands does not exceed 4.8% (k=1).
- The validation dipole has been calibrated within the requested period and the system performance check has been successful.
- The DAE unit has been calibrated within the requested period.
- The minimum distance between the probe sensor and inner phantom shell is selected to be 3mm.
- The operational mode of the DUT is 802.11b/ g/ n (20MHz)/ n (40MHz) and the measurement/ integration time per point is >500 ms.
- The dielectric parameters of the liquid have been assessed using Agilent 85070D dielectric probe kit.
- The dielectric parameters are within 5% of the target values.
- The DUT has been positioned as described in section 3.

7.1. PROBE CALIBRATION UNCERTAINTY

SPEAG conducts the probe calibration in compliance with international and national standards (e.g. IEEE 1528, EN 62209-1, IEC 62209, etc.) under ISO17025. The uncertainties are stated on the calibration certificate. For the most relevant frequency bands, these values do not exceed 4.8% (k=1). If evaluations of other bands are performed for which the uncertainty exceeds these values, the uncertainty tables given in the summary have to be revised accordingly.

7.2. ISOTROPY UNCERTAINTY

The axial isotropy tolerance accounts for probe rotation around its axis while the hemispherical isotropy error includes all probe orientations and field polarizations. These parameters are assessed by SPEAG during initial calibration. In 2001, SPEAG further tightened its quality controls and warrants that the maximal deviation from axial isotropy is $\pm 0.20\text{dB}$, while the maximum deviation of hemispherical isotropy is $\pm 0.40\text{dB}$, corresponding to $\pm 4.7\%$ and $\pm 9.6\%$, respectively. A weighting factor of c_p equal to 0.5 can be applied, since the axis of the probe deviates less than 30 degrees from the normal surface orientation.

7.3. BOUNDARY EFFECT UNCERTAINTY

The effect can be estimated according to the following error approximation formula

$$SAR_{tolerance} [\%] = SAR_{be} [\%] \times \frac{(d_{be} + d_{step})^2}{2d_{step}} e^{-\frac{d_{be}}{\delta/2}}$$

$$d_{be} + d_{step} < 10\text{mm}$$

The parameter d_{be} is the distance in mm between the surface and the closest measurement point used in the averaging process; d_{step} is the separation distance in mm between the first and second measurement points; δ is the minimum penetration depth in mm within the head tissue equivalent liquids (i.e., $\delta = 13.95\text{mm}$ at 3GHz); SAR_{be} is the deviation between the measured SAR value at the distance d_{be} from the boundary and the wave-guide analytical value $SAR_{ref.DASY5}$ applies a boundary effect compensation algorithm according to IEEE 1528, which is possible since the axis of the probe never deviates more than 30 degrees from the normal surface orientation. $SAR_{be} [\%]$ is assessed during the calibration process and SPEAG warrants that the uncertainty at distances larger than 4mm is always less than 1%. In summary, the worst case boundary effect SAR tolerance [%] for scanning distances larger than 4mm is $< \pm 0.8\%$.

7.4. PROBE LINEARITY UNCERTAINTY

Field probe linearity uncertainty includes errors from the assessment and compensation of the diode compression effects for CW and pulsed signals with known duty cycles. This error is assessed using the procedure described in IEEE 1528 / EN 62209-1. For SPEAG field probes, the measured difference between CW and pulsed signals, with pulse frequencies between 10Hz and 1kHz and duty cycles between 1 and 100, is $< \pm 0.20\text{dB}$ ($< \pm 4.7\%$).

7.5. READOUT ELECTRONICS UNCERTAINTY

All uncertainties related to the probe readout electronics (DAE unit), including the gain and linearity of the instrumentation amplifier, its loading effect on the probe, and accuracy of the signal conversion algorithm, have been assessed accordingly to IEEE 1528 / EN 62209-1. The combination (root-sum-square RSS method) of these components results in an overall maximum error of $\pm 1.0\%$.

7.6. RESPONSE TIME UNCERTAINTY

The time response of the field probes is assessed by exposing the probe to a well-controlled electric field producing SAR larger than 2.0W/kg at the tissue medium surface. The signal response time is evaluated as the time required by the system to reach 90% of the expected final value after an on/of switch of the power source. Analytically, it can be expressed as:

$$SAR_{tolerance} [\%] = 100 \times \left(\frac{T_m}{T_m + \tau e^{-T_m/\tau}} - 1 \right)$$

where T_m is 500 ms, i.e., the time between measurement samples, and τ the time constant. The response time τ of SPEAG's probes is $< 5\text{ms}$. In the current implementation, DASY5 waits longer than 100 ms after having reached the grid point before starting a measurement, i.e., the response time uncertainty is negligible.

7.7. PROBE POSITIONER MECHANICAL TOLERANCE

The mechanical tolerance of the field probe positioner can introduce probe positioning uncertainties. The resulting SAR uncertainty is assessed by comparing the SAR obtained according to the specifications of the probe positioner with respect to the actual position defined by the geometric center of the probe sensors. The tolerance is determined as:

$$SAR_{tolerance} [\%] = 100 \times \frac{d_{ph}}{\delta/2}$$

The specified repeatability of the RX robot family used in DASY5 systems is $\pm 25\mu\text{m}$. The absolute accuracy for short distance movements is better than $\pm 0.1\text{mm}$, i.e., the $SAR_{tolerance}[\%]$ is better than 1.5% (rectangular).

7.8. PROBE POSITIONING

The probe positioning procedures affect the tolerance of the separation distance between the probe tip and the phantom surface as:

$$SAR_{tolerance} [\%] = 100 \times \frac{d_{ph}}{\delta/2}$$

where d_{ph} is the maximum deviation of the distance between the probe tip and the phantom surface. The optical surface detection has a precision of better than 0.2mm, resulting in an $SAR_{tolerance}[\%]$ of <2.9% (rectangular distribution). Since the mechanical detection provides better accuracy, 2.9% is a worst-case figure for DASY5 system.

7.9. PHANTOM UNCERTAINTY

The SAR measurement uncertainty due to SPEAG phantom shell production tolerances has been evaluated using

$$SAR_{tolerance} [\%] \cong 100 \times \frac{2d}{a}, \quad d \ll a$$

For a maximum deviation d of the inner and outer shell of the phantom from that specified in the CAD file of $\pm 0.2\text{mm}$, and a 10mm spacing a between source and tissue liquid, the calculated phantom uncertainty is $\pm 4.0\%$.

7.10. DASY5 UNCERTAINTY BUDGET

Error Description	Tolerance (±%)	Probability Distribution	Divisor	(C _i)		Standard Uncertainty (±%)		(v _i)
				(1g)	(10g)	(1g)	(10g)	
Measurement Equipment								
Probe Calibration	5.50	Normal	1	1	1	5.50	5.50	∞
Axial Isotropy	4.70	Rectangular	√3	0.7	0.7	1.90	1.90	∞
Hemispherical Isotropy	9.60	Rectangular	√3	0.7	0.7	3.88	3.88	∞
Boundary effects	1.00	Rectangular	√3	1	1	0.58	0.58	∞
Linearity	4.70	Rectangular	√3	1	1	2.71	2.71	∞
System Detection Limits	1.00	Rectangular	√3	1	1	0.58	0.58	∞
Readout Electronics	0.30	Normal	1	1	1	0.30	0.30	∞
Response Time	0.80	Rectangular	√3	1	1	0.46	0.46	∞
Integration Time	2.60	Rectangular	√3	1	1	1.50	1.50	∞
RF Ambient Noise	3.00	Rectangular	√3	1	1	1.73	1.73	∞
RF Ambient Reflections	3.00	Rectangular	√3	1	1	1.73	1.73	∞
Probe Positioner	0.40	Rectangular	√3	1	1	0.23	0.23	∞
Probe Positioning	2.90	Rectangular	√3	1	1	1.67	1.67	∞
Max. SAR Eval.	1.00	Rectangular	√3	1	1	0.58	0.58	∞
Test Sample Related								
Device Positioning	0.89	Normal	1	1	1	0.89	0.89	9
Device Holder	3.60	Normal	1	1	1	3.60	3.60	5
Power Drift	5.00	Rectangular	√3	1	1	2.89	2.89	∞
Phantom and Tissue parameters								
Phantom Uncertainty	4.00	Rectangular	√3	1	1	2.31	2.31	∞
Liquid Conductivity (target)	5.00	Rectangular	√3	0.64	0.43	1.85	1.24	∞
Liquid Conductivity (measurement)	4.12	Normal	1	0.64	0.43	2.64	1.77	∞
Liquid Permittivity (target)	5.00	Rectangular	√3	0.6	0.49	1.73	1.41	∞
Liquid Permittivity (measurement)	3.49	Normal	1	0.6	0.49	2.09	1.71	∞
Combined Standard Uncertainty						10.67	10.28	
Coverage Factor for 95%						Kp=2		
Expanded Uncertainty (K=2)						21.34	20.56	

TABLE 7.2

The table 7.2: Worst-Case uncertainty budget for DASY5 assessed according to IEEE 1528. The budget is valid for the frequency range 300MHz ~ 3GHz and represents a worst-case analysis. For specific tests and configurations, the uncertainty could be considerable smaller.



8. INFORMATION ON THE TESTING LABORATORIES

We, Bureau Veritas Consumer Products Services (H.K.) Ltd., Taoyuan Branch, were founded in 1988 to provide our best service in EMC, Radio, Telecom and Safety consultation. Our laboratories are accredited and approved according to ISO/IEC 17025.

Copies of accreditation certificates of our laboratories obtained from approval agencies can be downloaded from our web site: www.adt.com.tw/index.5/phtml. If you have any comments, please feel free to contact us at the following:

Linko EMC/RF Lab:

Tel: 886-2-26052180

Fax: 886-2-26051924

Hsin Chu EMC/RF Lab:

Tel: 886-3-5935343

Fax: 886-3-5935342

Hwa Ya EMC/RF/Safety/Telecom Lab:

Tel: 886-3-3183232

Fax: 886-3-3185050

Web Site: www.adt.com.tw

The address and road map of all our labs can be found in our web site also.

---END---

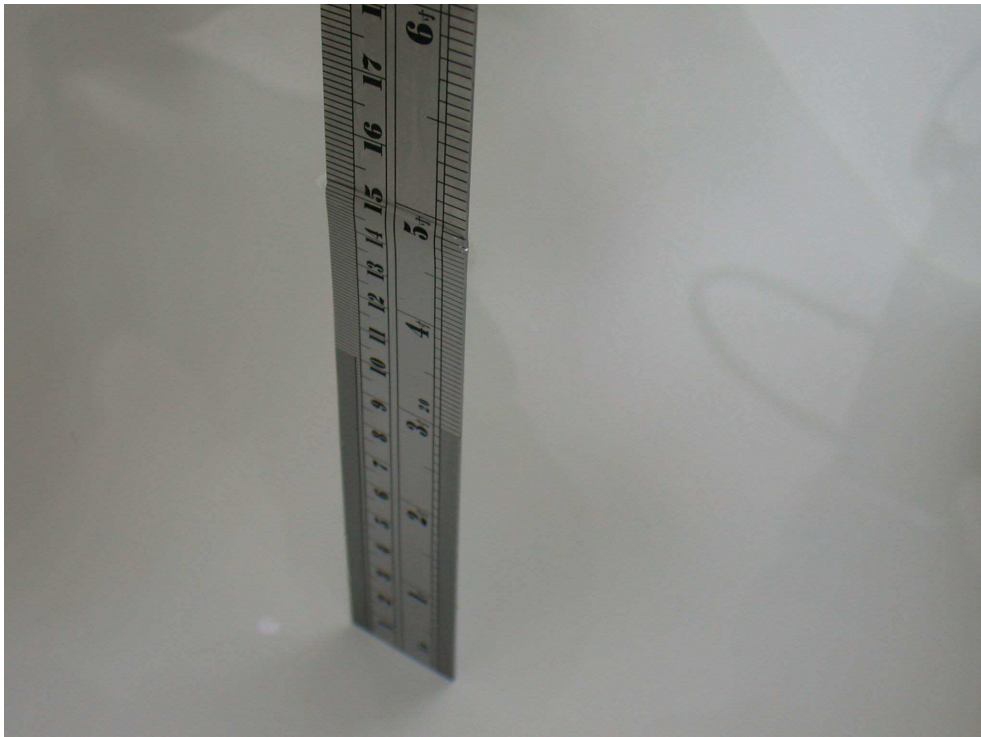
APPENDIX A: TEST DATA

Liquid Level Photo

Tissue MSL2450MHz D=152mm



Tissue MSL2450MHz D=151mm





Tissue MSL2450MHz D=152mm



Test Laboratory: Bureau Veritas ADT

M01-Body-Vertical-Back-11b Ch 11/Ant 1

DUT: Cisco AM10 USB Network Adapter ; Type: Cisco AM10

Communication System: 802.11B ; Frequency: 2462 MHz ; Duty Cycle: 1:1 ; Modulation type: DBPSK
 Medium: MSL2450 Medium parameters used: $f = 2462 \text{ MHz}$; $\sigma = 2.02 \text{ mho/m}$; $\epsilon_r = 53.92$; $\rho = 1000 \text{ kg/m}^3$

Phantom section: Flat Section ; Separation distance : 5 mm(The Vertical-Back side of the EUT with Holster to the Phantom)

DASY5 Configuration:

- Probe: EX3DV4 - SN3590 ; ConvF(7.96, 7.96, 7.96) ; Calibrated: 2009/4/28
- Sensor-Surface: 3mm (Mechanical Surface Detection)
- Electronics: DAE3 Sn510 ; Calibrated: 2009/12/16
- Phantom: SAM with CRP ; Type: SAM ; Serial: TP-1485
- Measurement SW: DASY5, V5.2 Build 157 ; SEMCAD X Version 14.0 Build 57

11b/High Channel 11/Area Scan (8x19x1): Measurement grid: $dx=5\text{mm}$, $dy=5\text{mm}$
 Maximum value of SAR (measured) = 0.075 mW/g

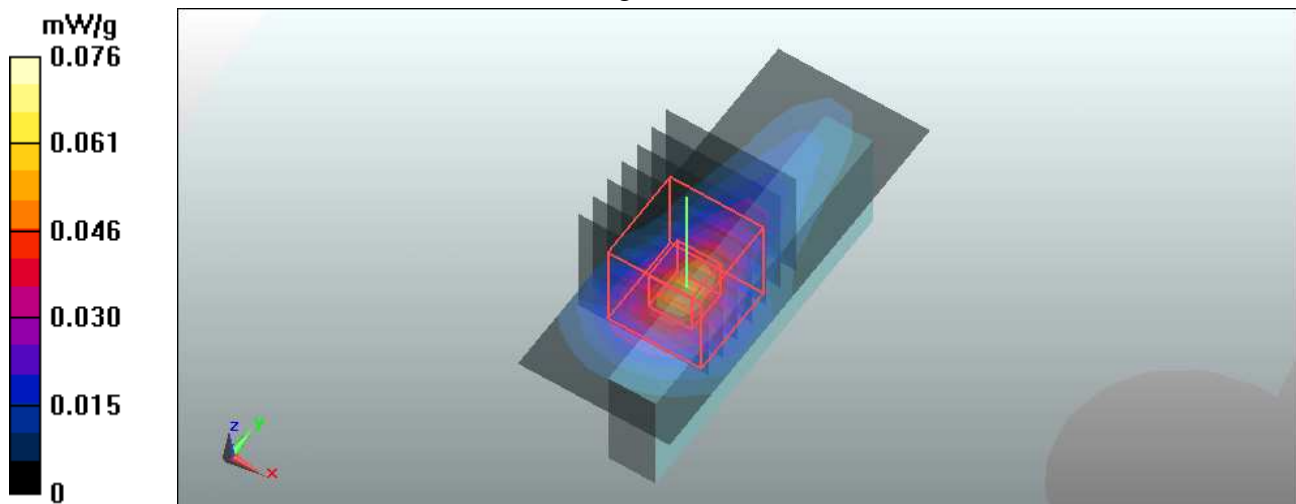
11b/High Channel 11/Zoom Scan (7x7x11)/Cube 0: Measurement grid: $dx=5\text{mm}$, $dy=5\text{mm}$, $dz=3\text{mm}$

Reference Value = 10.9 V/m; Power Drift = -0.185 dB

Peak SAR (extrapolated) = 0.127 W/kg

SAR(1 g) = 0.057 mW/g; SAR(10 g) = 0.026 mW/g

Maximum value of SAR (measured) = 0.076 mW/g



Test Laboratory: Bureau Veritas ADT

M02-Body-Vertical-Back-11b Ch 11/Ant 2

DUT: Cisco AM10 USB Network Adapter ; Type: Cisco AM10

Communication System: 802.11B ; Frequency: 2462 MHz ; Duty Cycle: 1:1 ; Modulation type: DBPSK
 Medium: MSL2450 Medium parameters used: $f = 2462 \text{ MHz}$; $\sigma = 2.02 \text{ mho/m}$; $\epsilon_r = 53.92$; $\rho = 1000 \text{ kg/m}^3$

Phantom section: Flat Section ; Separation distance : 5 mm(The Vertical-Back side of the EUT with Holster to the Phantom)

DASY5 Configuration:

- Probe: EX3DV4 - SN3590 ; ConvF(7.96, 7.96, 7.96) ; Calibrated: 2009/4/28
- Sensor-Surface: 3mm (Mechanical Surface Detection)
- Electronics: DAE3 Sn510 ; Calibrated: 2009/12/16
- Phantom: SAM with CRP ; Type: SAM ; Serial: TP-1485
- Measurement SW: DASY5, V5.2 Build 157 ; SEMCAD X Version 14.0 Build 57

11b/High Channel 11/Area Scan (10x19x1): Measurement grid: $dx=5\text{mm}$, $dy=5\text{mm}$

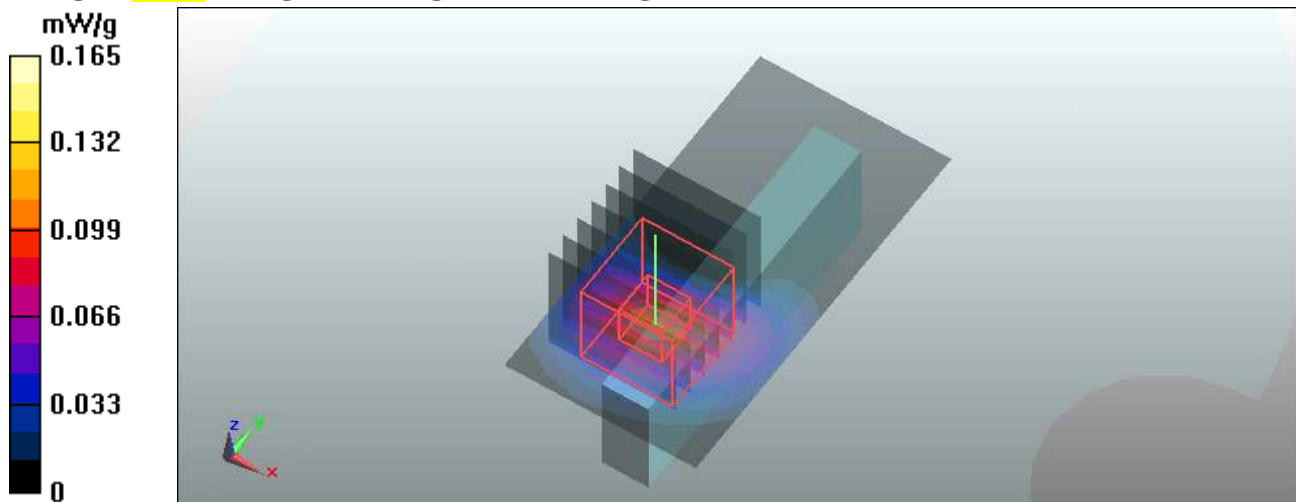
Maximum value of SAR (measured) = 0.165 mW/g

11b/High Channel 11/Zoom Scan (7x7x11)/Cube 0: Measurement grid: $dx=5\text{mm}$, $dy=5\text{mm}$, $dz=3\text{mm}$

Reference Value = 2.83 V/m; Power Drift = -0.083 dB

Peak SAR (extrapolated) = 0.270 W/kg

SAR(1 g) = **0.127 mW/g**; SAR(10 g) = 0.064 mW/g



Test Laboratory: Bureau Veritas ADT

M03-Body-Vertical-Back-11g Ch 1/Ant 1

DUT: Cisco AM10 USB Network Adapter ; Type: Cisco AM10

Communication System: 802.11G ; Frequency: 2412 MHz ; Duty Cycle: 1:1 ; Modulation type: BPSK
 Medium: MSL2450 Medium parameters used: $f = 2412 \text{ MHz}$; $\sigma = 1.97 \text{ mho/m}$; $\epsilon_r = 54.3$; $\rho = 1000 \text{ kg/m}^3$
 Phantom section: Flat Section ; Separation distance : 5 mm(The Vertical-Back side of the EUT with Holster to the Phantom)

DASY5 Configuration:

- Probe: EX3DV4 - SN3590 ; ConvF(7.96, 7.96, 7.96) ; Calibrated: 2009/4/28
- Sensor-Surface: 3mm (Mechanical Surface Detection)
- Electronics: DAE3 Sn510 ; Calibrated: 2009/12/16
- Phantom: SAM with CRP ; Type: SAM ; Serial: TP-1485
- Measurement SW: DASY5, V5.2 Build 157 ; SEMCAD X Version 14.0 Build 57

11g/Low Channel 1/Area Scan (8x19x1): Measurement grid: $dx=5\text{mm}$, $dy=5\text{mm}$
 Maximum value of SAR (measured) = 0.019 mW/g

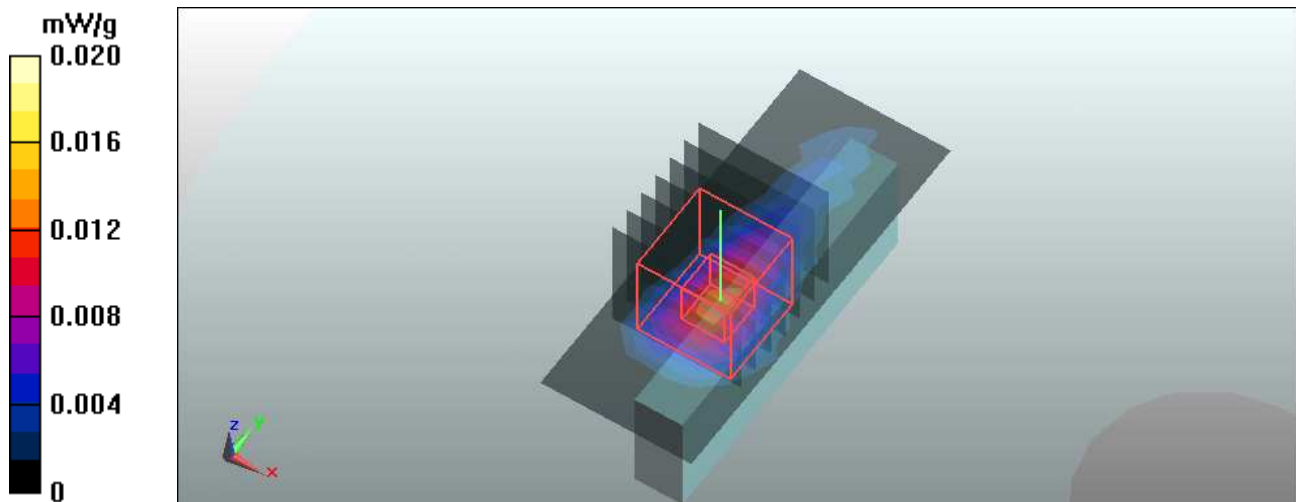
11g/Low Channel 1/Zoom Scan (7x7x11)/Cube 0: Measurement grid: $dx=5\text{mm}$, $dy=5\text{mm}$,
 $dz=3\text{mm}$

Reference Value = 4.27 V/m; Power Drift = -0.101 dB

Peak SAR (extrapolated) = 0.032 W/kg

SAR(1 g) = 0.015 mW/g; SAR(10 g) = 0.0069 mW/g

Maximum value of SAR (measured) = 0.020 mW/g



Test Laboratory: Bureau Veritas ADT

M04-Body-Vertical-Back-11g Ch 1/Ant 2

DUT: Cisco AM10 USB Network Adapter ; Type: Cisco AM10

Communication System: 802.11G ; Frequency: 2412 MHz ; Duty Cycle: 1:1 ; Modulation type: BPSK
 Medium: MSL2450 Medium parameters used: $f = 2412 \text{ MHz}$; $\sigma = 1.97 \text{ mho/m}$; $\epsilon_r = 54.3$; $\rho = 1000 \text{ kg/m}^3$
 Phantom section: Flat Section ; Separation distance : 5 mm(The Vertical-Back side of the EUT with Holster to the Phantom)

DASY5 Configuration:

- Probe: EX3DV4 - SN3590 ; ConvF(7.96, 7.96, 7.96) ; Calibrated: 2009/4/28
- Sensor-Surface: 3mm (Mechanical Surface Detection)
- Electronics: DAE3 Sn510 ; Calibrated: 2009/12/16
- Phantom: SAM with CRP ; Type: SAM ; Serial: TP-1485
- Measurement SW: DASY5, V5.2 Build 157 ; SEMCAD X Version 14.0 Build 57

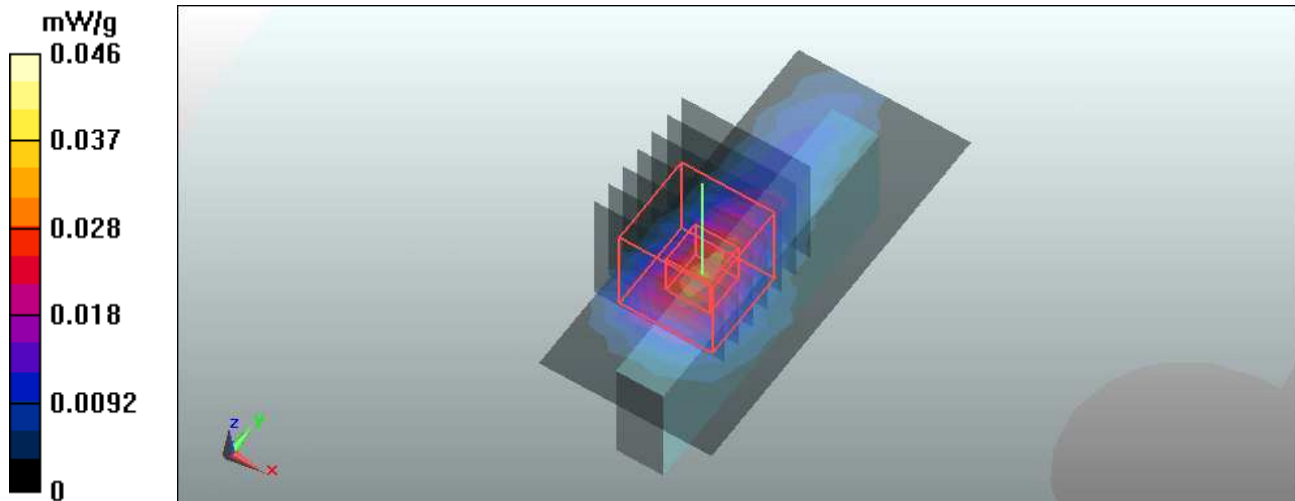
11g/Low Channel 1/Area Scan (9x19x1): Measurement grid: $dx=5\text{mm}$, $dy=5\text{mm}$
 Maximum value of SAR (measured) = 0.046 mW/g

11g/Low Channel 1/Zoom Scan (7x7x11)/Cube 0: Measurement grid: $dx=5\text{mm}$, $dy=5\text{mm}$,
 $dz=3\text{mm}$

Reference Value = 4.52 V/m; Power Drift = -0.105 dB

Peak SAR (extrapolated) = 0.072 W/kg

SAR(1 g) = **0.034 mW/g**; SAR(10 g) = 0.016 mW/g



Test Laboratory: Bureau Veritas ADT

M05-Body-Vertical-Back-11N-20M Ch 11

DUT: Cisco AM10 USB Network Adapter ; Type: Cisco AM10

Communication System: 2.4G 11n 20MHz ; Frequency: 2462 MHz ; Duty Cycle: 1:1 ; Modulation type: BPSK

Medium: MSL2450 Medium parameters used: $f = 2462 \text{ MHz}$; $\sigma = 2.02 \text{ mho/m}$; $\epsilon_r = 53.92$; $\rho = 1000 \text{ kg/m}^3$

Phantom section: Flat Section ; Separation distance : 5 mm(The Vertical-Back side of the EUT with Holster to the Phantom)

DASY5 Configuration:

- Probe: EX3DV4 - SN3590 ; ConvF(7.96, 7.96, 7.96) ; Calibrated: 2009/4/28
- Sensor-Surface: 3mm (Mechanical Surface Detection)
- Electronics: DAE3 Sn510 ; Calibrated: 2009/12/16
- Phantom: SAM with CRP ; Type: SAM ; Serial: TP-1485
- Measurement SW: DASY5, V5.2 Build 157 ; SEMCAD X Version 14.0 Build 57

11N-20M/High Channel 11/Area Scan (9x19x1): Measurement grid: $dx=5\text{mm}$, $dy=5\text{mm}$
Maximum value of SAR (measured) = 0.106 mW/g

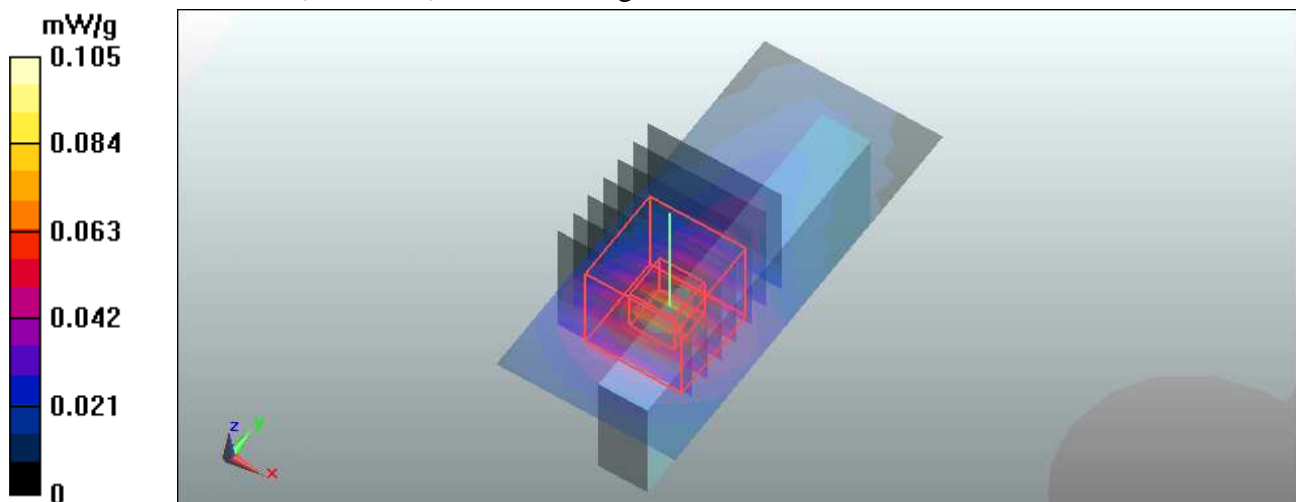
11N-20M/High Channel 11/Zoom Scan (7x7x11)/Cube 0: Measurement grid: $dx=5\text{mm}$, $dy=5\text{mm}$, $dz=3\text{mm}$

Reference Value = 5.46 V/m; Power Drift = -0.120 dB

Peak SAR (extrapolated) = 0.172 W/kg

SAR(1 g) = 0.079 mW/g; SAR(10 g) = 0.039 mW/g

Maximum value of SAR (measured) = 0.105 mW/g



Test Laboratory: Bureau Veritas ADT

M06-Body-Vertical-Back-11N-40M Ch 7

DUT: Cisco AM10 USB Network Adapter ; Type: Cisco AM10

Communication System: 2.4G 11n 40MHz ; Frequency: 2452 MHz ; Duty Cycle: 1:1 ; Modulation type: BPSK

Medium: MSL2450 Medium parameters used: $f = 2452 \text{ MHz}$; $\sigma = 2.01 \text{ mho/m}$; $\epsilon_r = 53.94$; $\rho = 1000 \text{ kg/m}^3$

Phantom section: Flat Section ; Separation distance : 5 mm(The Vertical-Back side of the EUT with Holster to the Phantom)

DASY5 Configuration:

- Probe: EX3DV4 - SN3590 ; ConvF(7.96, 7.96, 7.96) ; Calibrated: 2009/4/28
- Sensor-Surface: 3mm (Mechanical Surface Detection)
- Electronics: DAE3 Sn510 ; Calibrated: 2009/12/16
- Phantom: SAM with CRP ; Type: SAM ; Serial: TP-1485
- Measurement SW: DASY5, V5.2 Build 157 ; SEMCAD X Version 14.0 Build 57

11N-40M/High Channel 7/Area Scan (9x19x1): Measurement grid: $dx=5\text{mm}$, $dy=5\text{mm}$
 Maximum value of SAR (measured) = 0.083 mW/g

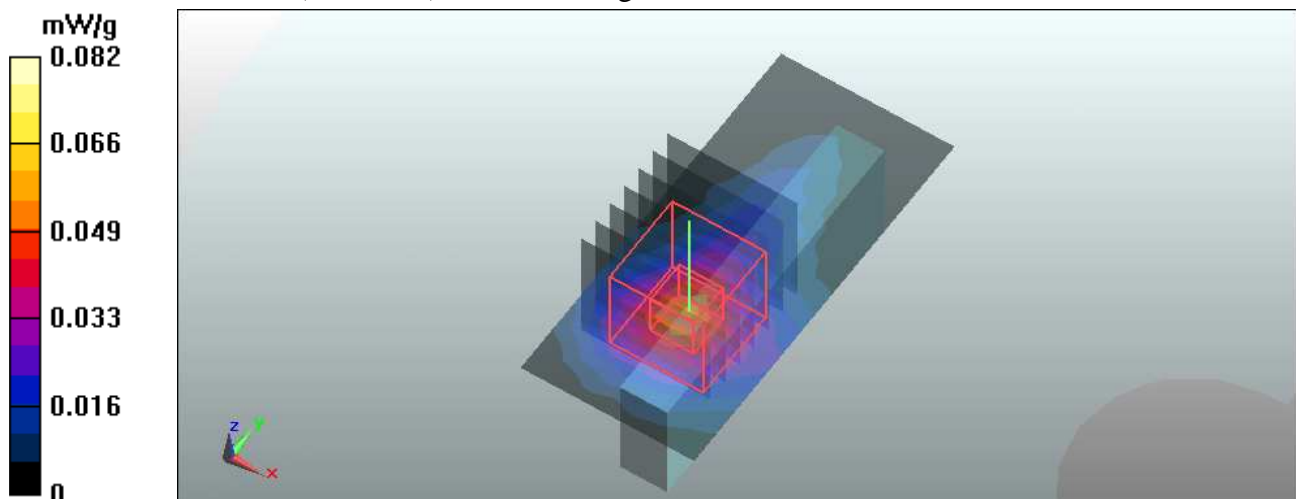
11N-40M/High Channel 7/Zoom Scan (7x7x11)/Cube 0: Measurement grid: $dx=5\text{mm}$, $dy=5\text{mm}$, $dz=3\text{mm}$

Reference Value = 5.32 V/m; Power Drift = -0.146 dB

Peak SAR (extrapolated) = 0.133 W/kg

SAR(1 g) = 0.062 mW/g; SAR(10 g) = 0.030 mW/g

Maximum value of SAR (measured) = 0.082 mW/g



Test Laboratory: Bureau Veritas ADT

M07-Body-Vertical-Front-11b Ch 11/Ant 1

DUT: Cisco AM10 USB Network Adapter ; Type: Cisco AM10

Communication System: 802.11B ; Frequency: 2462 MHz ; Duty Cycle: 1:1 ; Modulation type: DBPSK
 Medium: MSL2450 Medium parameters used: $f = 2462$ MHz; $\sigma = 2.02$ mho/m; $\epsilon_r = 53.92$; $\rho = 1000$ kg/m³

Phantom section: Flat Section ; Separation distance : 5 mm(The Vertical-Front side of the EUT with Holster to the Phantom)

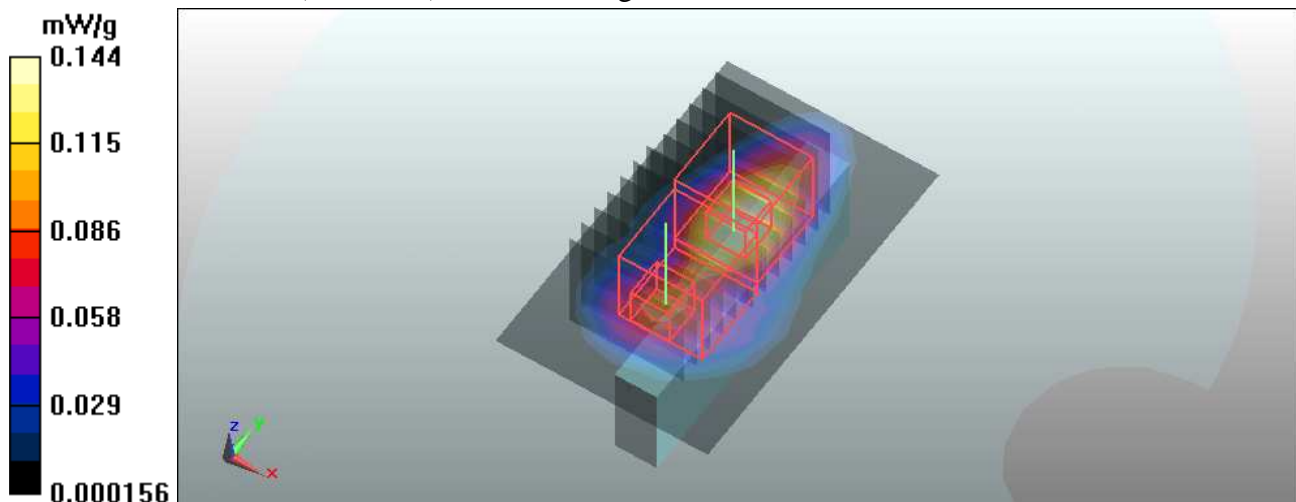
DASY5 Configuration:

- Probe: EX3DV4 - SN3590 ; ConvF(7.96, 7.96, 7.96) ; Calibrated: 2009/4/28
- Sensor-Surface: 3mm (Mechanical Surface Detection)
- Electronics: DAE3 Sn510 ; Calibrated: 2009/12/16
- Phantom: SAM with CRP ; Type: SAM ; Serial: TP-1485
- Measurement SW: DASY5, V5.2 Build 157 ; SEMCAD X Version 14.0 Build 57

11b/High Channel 11/Area Scan (11x19x1): Measurement grid: dx=5mm, dy=5mm
 Maximum value of SAR (measured) = 0.052 mW/g

11b/High Channel 11/Zoom Scan (7x7x11)/Cube 0: Measurement grid: dx=5mm, dy=5mm, dz=5mm
 Reference Value = 4.17 V/m; Power Drift = -0.185 dB
 Peak SAR (extrapolated) = 0.218 W/kg
SAR(1 g) = 0.111 mW/g; SAR(10 g) = 0.059 mW/g
 Maximum value of SAR (measured) = 0.139 mW/g

11b/High Channel 11/Zoom Scan (7x7x11)/Cube 1: Measurement grid: dx=5mm, dy=5mm, dz=3mm
 Reference Value = 4.19 V/m; Power Drift = -0.185 dB
 Peak SAR (extrapolated) = 0.228 W/kg
SAR(1 g) = 0.115 mW/g; SAR(10 g) = 0.061 mW/g
 Maximum value of SAR (measured) = 0.144 mW/g



Test Laboratory: Bureau Veritas ADT

M08-Body-Vertical-Front-11b Ch 11/Ant 2

DUT: Cisco AM10 USB Network Adapter ; Type: Cisco AM10

Communication System: 802.11B ; Frequency: 2462 MHz ; Duty Cycle: 1:1 ; Modulation type: DBPSK
 Medium: MSL2450 Medium parameters used: $f = 2462$ MHz; $\sigma = 2.02$ mho/m; $\epsilon_r = 53.92$; $\rho = 1000$ kg/m³

Phantom section: Flat Section ; Separation distance : 5 mm(The Vertical-Front side of the EUT with Holster to the Phantom)

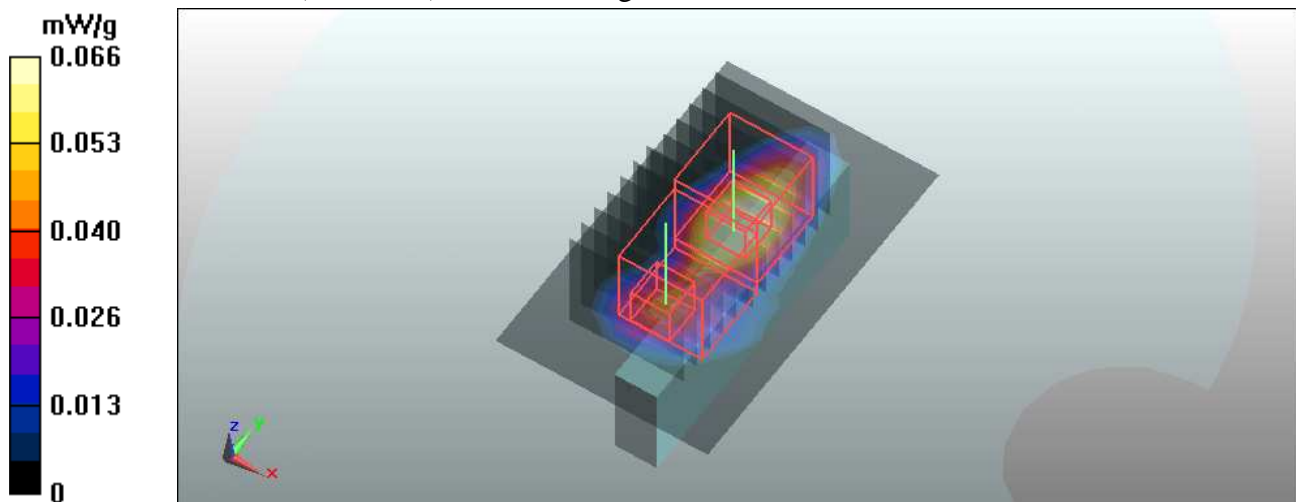
DASY5 Configuration:

- Probe: EX3DV4 - SN3590 ; ConvF(7.96, 7.96, 7.96) ; Calibrated: 2009/4/28
- Sensor-Surface: 3mm (Mechanical Surface Detection)
- Electronics: DAE3 Sn510 ; Calibrated: 2009/12/16
- Phantom: SAM with CRP ; Type: SAM ; Serial: TP-1485
- Measurement SW: DASY5, V5.2 Build 157 ; SEMCAD X Version 14.0 Build 57

11b/High Channel 11/Area Scan (12x19x1): Measurement grid: dx=5mm, dy=5mm
 Maximum value of SAR (measured) = 0.065 mW/g

11b/High Channel 11/Zoom Scan (7x7x11)/Cube 0: Measurement grid: dx=5mm, dy=5mm, dz=5mm
 Reference Value = 8.6 V/m; Power Drift = -0.165 dB
 Peak SAR (extrapolated) = 0.105 W/kg
SAR(1 g) = 0.051 mW/g; SAR(10 g) = 0.026 mW/g
 Maximum value of SAR (measured) = 0.066 mW/g

11b/High Channel 11/Zoom Scan (7x7x11)/Cube 1: Measurement grid: dx=5mm, dy=5mm, dz=3mm
 Reference Value = 8.1 V/m; Power Drift = -0.165 dB
 Peak SAR (extrapolated) = 0.089 W/kg
SAR(1 g) = 0.040 mW/g; SAR(10 g) = 0.022 mW/g
 Maximum value of SAR (measured) = 0.054 mW/g



Test Laboratory: Bureau Veritas ADT

M09-Body-Vertical-Front-11g Ch 1/Ant 1

DUT: Cisco AM10 USB Network Adapter ; Type: Cisco AM10

Communication System: 802.11G ; Frequency: 2412 MHz ; Duty Cycle: 1:1 ; Modulation type: BPSK
 Medium: MSL2450 Medium parameters used: $f = 2412$ MHz; $\sigma = 1.97$ mho/m; $\epsilon_r = 54.3$; $\rho = 1000$ kg/m³
 Phantom section: Flat Section ; Separation distance : 5 mm(The Vertical-Front side of the EUT with Holster to the Phantom)

DASY5 Configuration:

- Probe: EX3DV4 - SN3590 ; ConvF(7.96, 7.96, 7.96) ; Calibrated: 2009/4/28
- Sensor-Surface: 3mm (Mechanical Surface Detection)
- Electronics: DAE3 Sn510 ; Calibrated: 2009/12/16
- Phantom: SAM with CRP ; Type: SAM ; Serial: TP-1485
- Measurement SW: DASY5, V5.2 Build 157 ; SEMCAD X Version 14.0 Build 57

11g/Low Channel 1/Area Scan (12x19x1): Measurement grid: dx=5mm, dy=5mm
 Maximum value of SAR (measured) = 0.026 mW/g

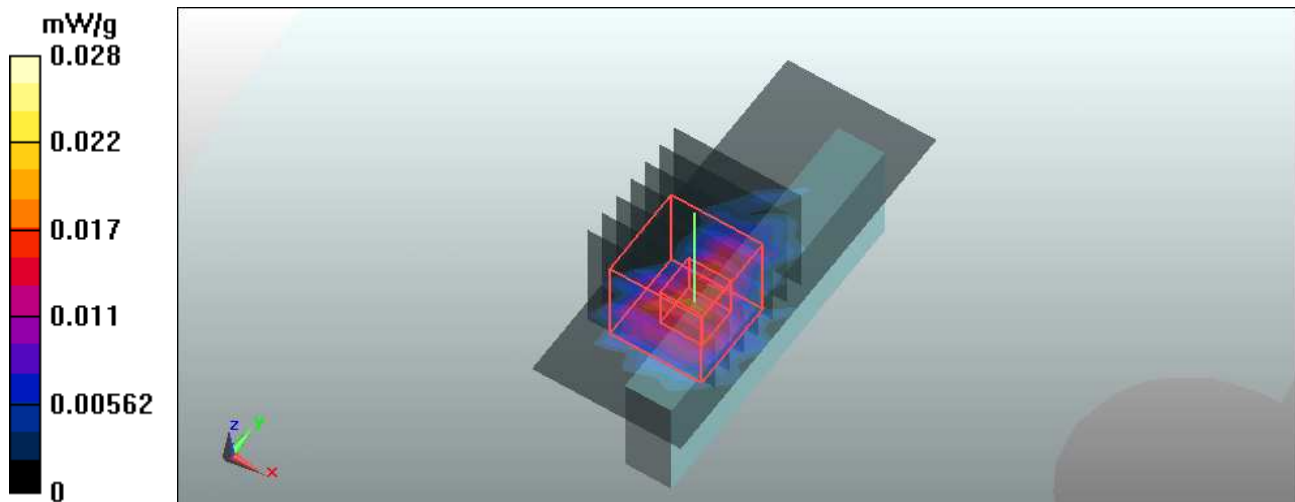
11g/Low Channel 1/Zoom Scan (7x7x11)/Cube 0: Measurement grid: dx=5mm, dy=5mm, dz=3mm

Reference Value = 3.26 V/m; Power Drift = 0.132 dB

Peak SAR (extrapolated) = 0.039 W/kg

SAR(1 g) = **0.021** mW/g; SAR(10 g) = **0.011** mW/g

Maximum value of SAR (measured) = 0.028 mW/g



Test Laboratory: Bureau Veritas ADT

M10-Body-Vertical-Front-11g Ch 1/Ant 2

DUT: Cisco AM10 USB Network Adapter ; Type: Cisco AM10

Communication System: 802.11G ; Frequency: 2412 MHz ; Duty Cycle: 1:1 ; Modulation type: BPSK
Medium: MSL2450 Medium parameters used: $f = 2412$ MHz; $\sigma = 1.97$ mho/m; $\epsilon_r = 54.3$; $\rho = 1000$ kg/m³
Phantom section: Flat Section ; Separation distance : 5 mm(The Vertical-Front side of the EUT with Holster to the Phantom)

DASY5 Configuration:

- Probe: EX3DV4 - SN3590 ; ConvF(7.96, 7.96, 7.96) ; Calibrated: 2009/4/28
- Sensor-Surface: 3mm (Mechanical Surface Detection)
- Electronics: DAE3 Sn510 ; Calibrated: 2009/12/16
- Phantom: SAM with CRP ; Type: SAM ; Serial: TP-1485
- Measurement SW: DASY5, V5.2 Build 157 ; SEMCAD X Version 14.0 Build 57

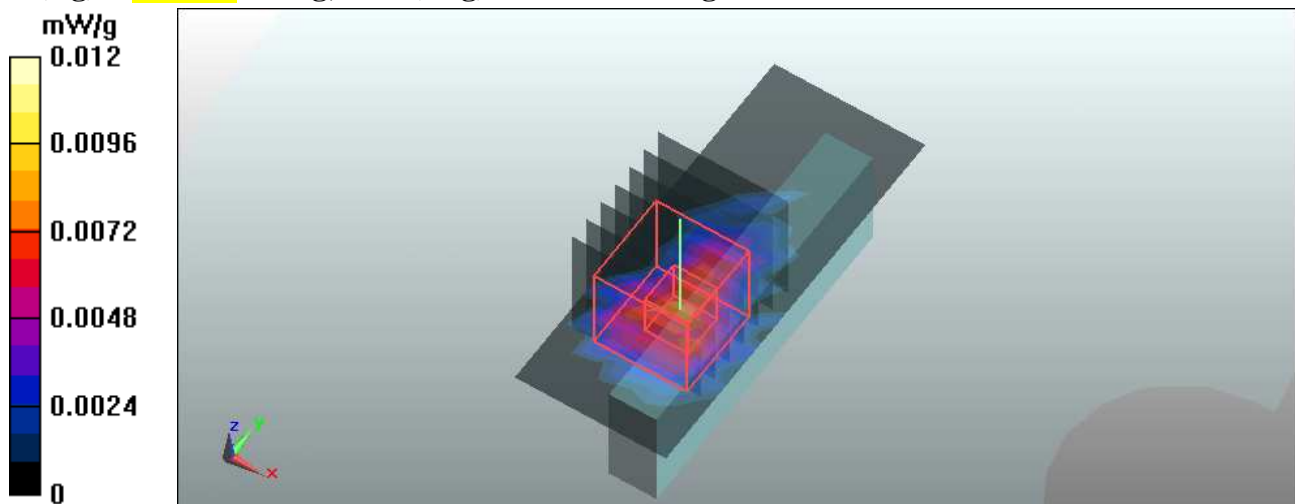
11g/Low Channel 1/Area Scan (8x19x1): Measurement grid: dx=5mm, dy=5mm
Maximum value of SAR (measured) = 0.012 mW/g

11g/Low Channel 1/Zoom Scan (7x7x11)/Cube 0: Measurement grid: dx=5mm, dy=5mm, dz=3mm

Reference Value = 2.54 V/m; Power Drift = -0.087 dB

Peak SAR (extrapolated) = 0.024 W/kg

SAR(1 g) = **0.00918** mW/g; SAR(10 g) = 0.00471 mW/g



Test Laboratory: Bureau Veritas ADT

M11-Body-Vertical-Front-11N-20M Ch 11

DUT: Cisco AM10 USB Network Adapter ; Type: Cisco AM10

Communication System: 2.4G 11n 20MHz ; Frequency: 2462 MHz ; Duty Cycle: 1:1 ; Modulation type: BPSK

Medium: MSL2450 Medium parameters used: $f = 2462 \text{ MHz}$; $\sigma = 2.02 \text{ mho/m}$; $\epsilon_r = 53.92$; $\rho = 1000 \text{ kg/m}^3$

Phantom section: Flat Section ; Separation distance : 5 mm(The Vertical-Front side of the EUT with Holster to the Phantom)

DASY5 Configuration:

- Probe: EX3DV4 - SN3590 ; ConvF(7.96, 7.96, 7.96) ; Calibrated: 2009/4/28
- Sensor-Surface: 3mm (Mechanical Surface Detection)
- Electronics: DAE3 Sn510 ; Calibrated: 2009/12/16
- Phantom: SAM with CRP ; Type: SAM ; Serial: TP-1485
- Measurement SW: DASY5, V5.2 Build 157 ; SEMCAD X Version 14.0 Build 57

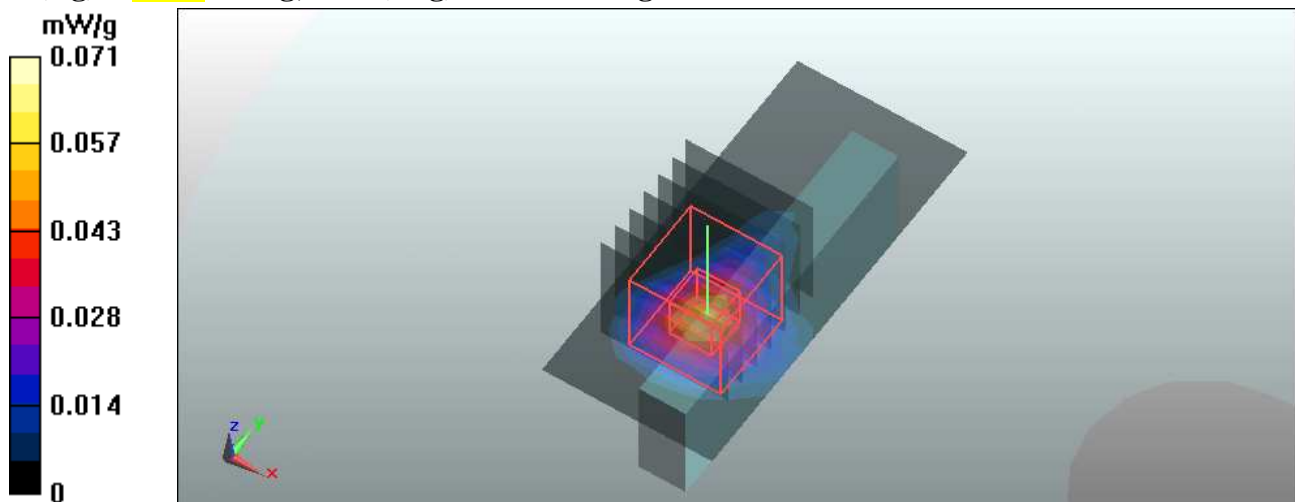
11N-20M/High Channel 11/Area Scan (9x19x1): Measurement grid: $dx=5\text{mm}$, $dy=5\text{mm}$
Maximum value of SAR (measured) = 0.071 mW/g

11N-20M/High Channel 11/Zoom Scan (7x7x11)/Cube 0: Measurement grid: $dx=5\text{mm}$, $dy=5\text{mm}$, $dz=3\text{mm}$

Reference Value = 6.37 V/m; Power Drift = -0.12 dB

Peak SAR (extrapolated) = 0.109 W/kg

SAR(1 g) = **0.055 mW/g**; SAR(10 g) = 0.029 mW/g



Test Laboratory: Bureau Veritas ADT

M12-Body-Vertical-Front-11N-40M Ch 7

DUT: Cisco AM10 USB Network Adapter ; Type: Cisco AM10

Communication System: 2.4G 11n 40MHz ; Frequency: 2452 MHz ; Duty Cycle: 1:1 ; Modulation type: BPSK

Medium: MSL2450 Medium parameters used: $f = 2452$ MHz; $\sigma = 2.01$ mho/m; $\epsilon_r = 53.94$; $\rho = 1000$ kg/m³

Phantom section: Flat Section ; Separation distance : 5 mm(The Vertical-Front side of the EUT with Holster to the Phantom)

DASY5 Configuration:

- Probe: EX3DV4 - SN3590 ; ConvF(7.96, 7.96, 7.96) ; Calibrated: 2009/4/28
- Sensor-Surface: 3mm (Mechanical Surface Detection)
- Electronics: DAE3 Sn510 ; Calibrated: 2009/12/16
- Phantom: SAM with CRP ; Type: SAM ; Serial: TP-1485
- Measurement SW: DASY5, V5.2 Build 157 ; SEMCAD X Version 14.0 Build 57

11N-40M/High Channel 7/Area Scan (9x19x1): Measurement grid: dx=5mm, dy=5mm

Maximum value of SAR (measured) = 0.060 mW/g

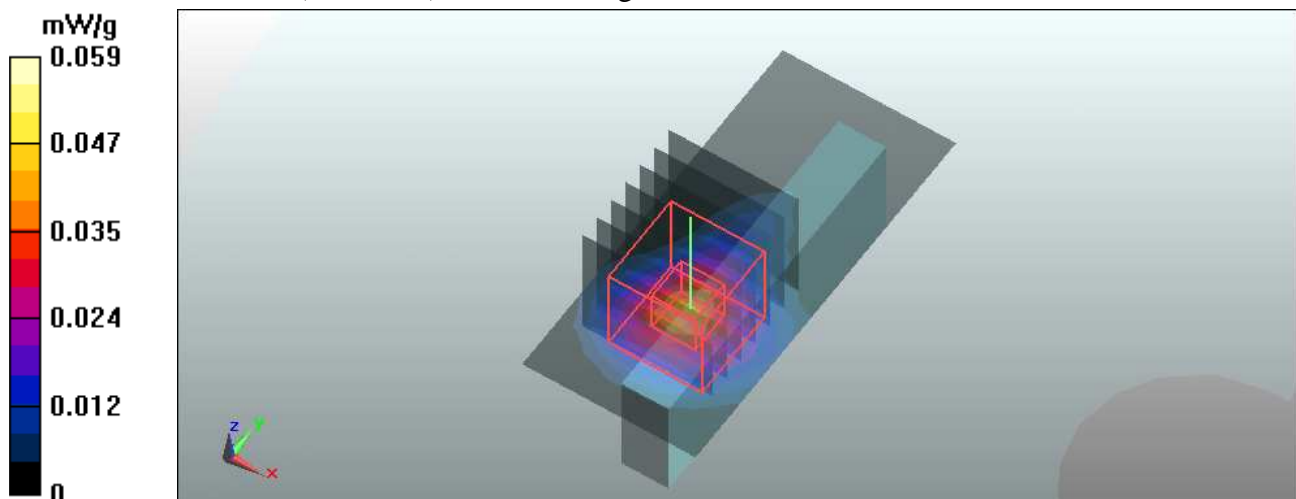
11N-40M/High Channel 7/Zoom Scan (7x7x11)/Cube 0: Measurement grid: dx=5mm, dy=5mm, dz=3mm

Reference Value = 5.75 V/m; Power Drift = -0.180 dB

Peak SAR (extrapolated) = 0.090 W/kg

SAR(1 g) = 0.047 mW/g; SAR(10 g) = 0.025 mW/g

Maximum value of SAR (measured) = 0.059 mW/g



Test Laboratory: Bureau Veritas ADT

M13-Body-Tail-11b Ch 11/Ant 1

DUT: Cisco AM10 USB Network Adapter ; Type: Cisco AM10

Communication System: 802.11B ; Frequency: 2462 MHz ; Duty Cycle: 1:1 ; Modulation type: DBPSK
 Medium: MSL2450 Medium parameters used: $f = 2462 \text{ MHz}$; $\sigma = 2.02 \text{ mho/m}$; $\epsilon_r = 53.92$; $\rho = 1000 \text{ kg/m}^3$

Phantom section: Flat Section ; Separation distance : 5 mm (The Tail side of the EUT with Holster to the Phantom)

DASY5 Configuration:

- Probe: EX3DV4 - SN3590 ; ConvF(7.96, 7.96, 7.96) ; Calibrated: 2009/4/28
- Sensor-Surface: 3mm (Mechanical Surface Detection)
- Electronics: DAE3 Sn510 ; Calibrated: 2009/12/16
- Phantom: SAM with CRP ; Type: SAM ; Serial: TP-1485
- Measurement SW: DASY5, V5.2 Build 157 ; SEMCAD X Version 14.0 Build 57

11b/High Channel 11/Area Scan (15x15x1): Measurement grid: $dx=5\text{mm}$, $dy=5\text{mm}$

Maximum value of SAR (measured) = 0.104 mW/g

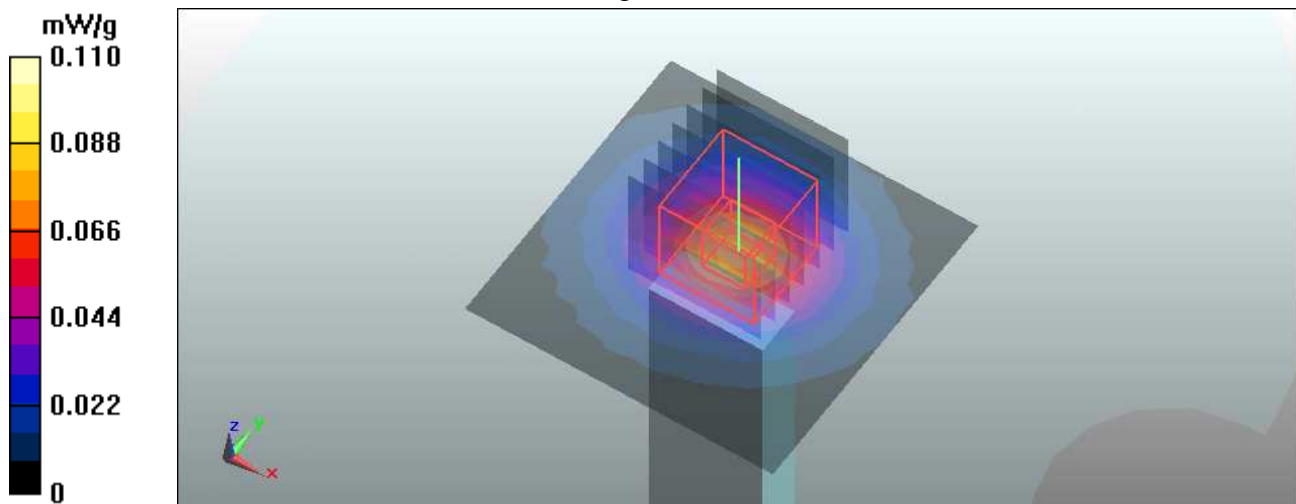
11b/High Channel 11/Zoom Scan (7x7x11)/Cube 0: Measurement grid: $dx=5\text{mm}$, $dy=5\text{mm}$, $dz=3\text{mm}$

Reference Value = 6.86 V/m; Power Drift = 0.112 dB

Peak SAR (extrapolated) = 0.175 W/kg

SAR(1 g) = 0.087 mW/g; SAR(10 g) = 0.043 mW/g

Maximum value of SAR (measured) = 0.110 mW/g



Test Laboratory: Bureau Veritas ADT

M14-Body-Tail-11b Ch 11/Ant 2

DUT: Cisco AM10 USB Network Adapter ; Type: Cisco AM10

Communication System: 802.11B ; Frequency: 2462 MHz ; Duty Cycle: 1:1 ; Modulation type: DBPSK
Medium: MSL2450 Medium parameters used: $f = 2462$ MHz; $\sigma = 2.02$ mho/m; $\epsilon_r = 53.92$; $\rho = 1000$ kg/m³

Phantom section: Flat Section ; Separation distance : 5 mm (The Tail side of the EUT with Holster to the Phantom)

DASY5 Configuration:

- Probe: EX3DV4 - SN3590 ; ConvF(7.96, 7.96, 7.96) ; Calibrated: 2009/4/28
- Sensor-Surface: 3mm (Mechanical Surface Detection)
- Electronics: DAE3 Sn510 ; Calibrated: 2009/12/16
- Phantom: SAM with CRP ; Type: SAM ; Serial: TP-1485
- Measurement SW: DASY5, V5.2 Build 157 ; SEMCAD X Version 14.0 Build 57

11b/High Channel 11/Area Scan (15x15x1): Measurement grid: dx=5mm, dy=5mm

Maximum value of SAR (measured) = 0.108 mW/g

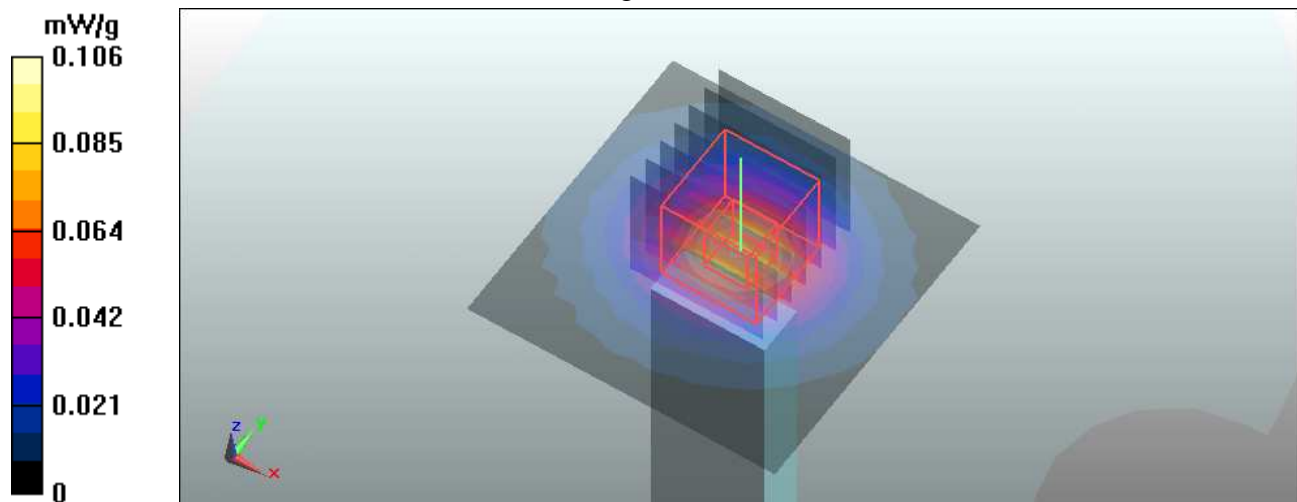
11b/High Channel 11/Zoom Scan (7x7x11)/Cube 0: Measurement grid: dx=5mm, dy=5mm, dz=3mm

Reference Value = 7.43 V/m; Power Drift = -0.161 dB

Peak SAR (extrapolated) = 0.165 W/kg

SAR(1 g) = **0.082 mW/g**; SAR(10 g) = **0.040 mW/g**

Maximum value of SAR (measured) = 0.106 mW/g



Test Laboratory: Bureau Veritas ADT

M15-Body-Tail-11g Ch 1/Ant 1

DUT: Cisco AM10 USB Network Adapter ; Type: Cisco AM10

Communication System: 802.11G ; Frequency: 2412 MHz ; Duty Cycle: 1:1 ; Modulation type: BPSK
 Medium: MSL2450 Medium parameters used: $f = 2412$ MHz; $\sigma = 1.97$ mho/m; $\epsilon_r = 54.3$; $\rho = 1000$ kg/m³
 Phantom section: Flat Section ; Separation distance : 5 mm (The Tail side of the EUT with Holster to the Phantom)

DASY5 Configuration:

- Probe: EX3DV4 - SN3590 ; ConvF(7.96, 7.96, 7.96) ; Calibrated: 2009/4/28
- Sensor-Surface: 3mm (Mechanical Surface Detection)
- Electronics: DAE3 Sn510 ; Calibrated: 2009/12/16
- Phantom: SAM with CRP ; Type: SAM ; Serial: TP-1485
- Measurement SW: DASY5, V5.2 Build 157 ; SEMCAD X Version 14.0 Build 57

11g/Low Channel 1/Area Scan (15x15x1): Measurement grid: dx=5mm, dy=5mm
 Maximum value of SAR (measured) = 0.022 mW/g

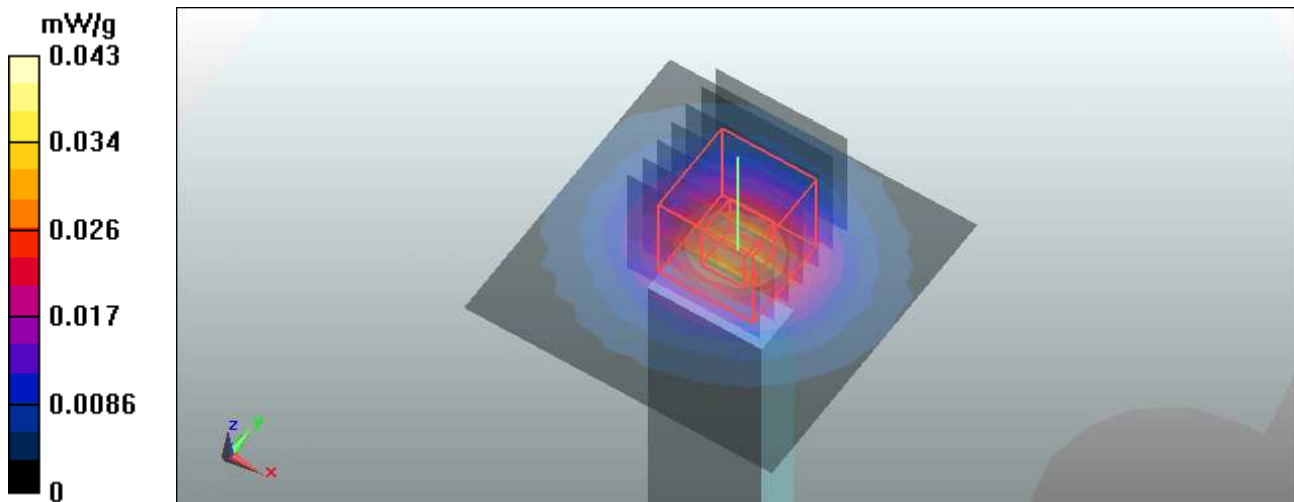
11g/Low Channel 1/Zoom Scan (7x7x11)/Cube 0: Measurement grid: dx=5mm, dy=5mm, dz=3mm

Reference Value = 3.69 V/m; Power Drift = 0.156 dB

Peak SAR (extrapolated) = 0.069 W/kg

SAR(1 g) = 0.033 mW/g; SAR(10 g) = 0.014 mW/g

Maximum value of SAR (measured) = 0.043 mW/g



Test Laboratory: Bureau Veritas ADT

M16-Body-Tail-11g Ch 1/Ant 2

DUT: Cisco AM10 USB Network Adapter ; Type: Cisco AM10

Communication System: 802.11G ; Frequency: 2412 MHz ; Duty Cycle: 1:1 ; Modulation type: BPSK
 Medium: MSL2450 Medium parameters used: $f = 2412$ MHz; $\sigma = 1.97$ mho/m; $\epsilon_r = 54.3$; $\rho = 1000$ kg/m³
 Phantom section: Flat Section ; Separation distance : 5 mm (The Tail side of the EUT with Holster to the Phantom)

DASY5 Configuration:

- Probe: EX3DV4 - SN3590 ; ConvF(7.96, 7.96, 7.96) ; Calibrated: 2009/4/28
- Sensor-Surface: 3mm (Mechanical Surface Detection)
- Electronics: DAE3 Sn510 ; Calibrated: 2009/12/16
- Phantom: SAM with CRP ; Type: SAM ; Serial: TP-1485
- Measurement SW: DASY5, V5.2 Build 157 ; SEMCAD X Version 14.0 Build 57

11g/Low Channel 1/Area Scan (15x15x1): Measurement grid: dx=5mm, dy=5mm
 Maximum value of SAR (measured) = 0.040 mW/g

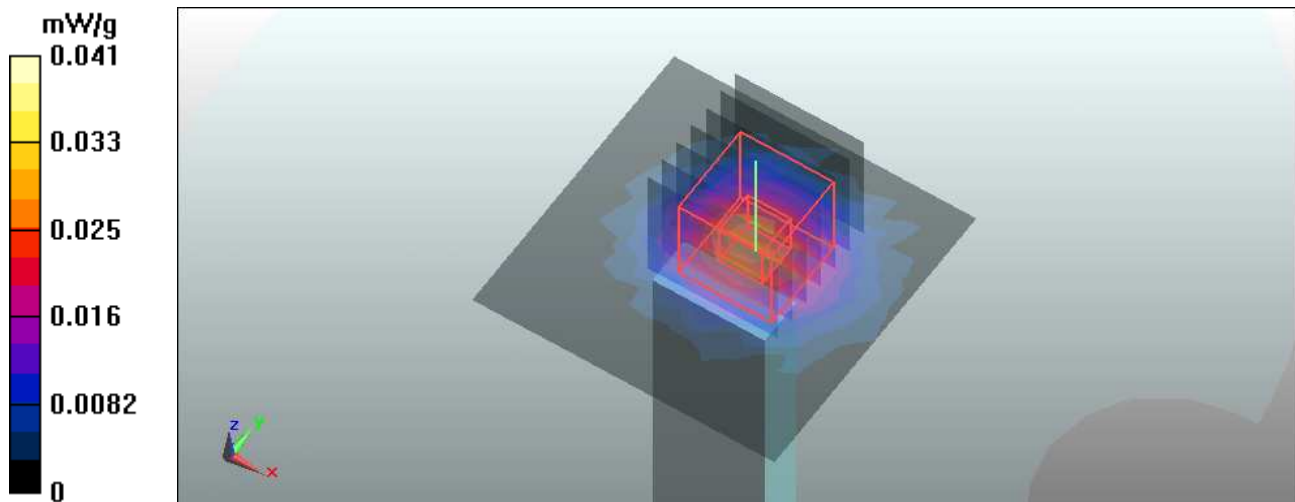
11g/Low Channel 1/Zoom Scan (7x7x11)/Cube 0: Measurement grid: dx=5mm, dy=5mm, dz=3mm

Reference Value = 2.93 V/m; Power Drift = -0.138 dB

Peak SAR (extrapolated) = 0.061 W/kg

SAR(1 g) = **0.031** mW/g; SAR(10 g) = **0.014** mW/g

Maximum value of SAR (measured) = 0.041 mW/g



Test Laboratory: Bureau Veritas ADT

M17-Body-Tail-11N-20M Ch 11

DUT: Cisco AM10 USB Network Adapter ; Type: Cisco AM10

Communication System: 2.4G 11n 20MHz ; Frequency: 2462 MHz ; Duty Cycle: 1:1 ; Modulation type: BPSK

Medium: MSL2450 Medium parameters used: $f = 2462$ MHz; $\sigma = 2.02$ mho/m; $\epsilon_r = 53.92$; $\rho = 1000$ kg/m³

Phantom section: Flat Section ; Separation distance : 5 mm (The Tail side of the EUT with Holster to the Phantom)

DASY5 Configuration:

- Probe: EX3DV4 - SN3590 ; ConvF(7.96, 7.96, 7.96) ; Calibrated: 2009/4/28
- Sensor-Surface: 3mm (Mechanical Surface Detection)
- Electronics: DAE3 Sn510 ; Calibrated: 2009/12/16
- Phantom: SAM with CRP ; Type: SAM ; Serial: TP-1485
- Measurement SW: DASY5, V5.2 Build 157 ; SEMCAD X Version 14.0 Build 57

11N-20M/High Channel 11/Area Scan (15x15x1): Measurement grid: dx=5mm, dy=5mm
Maximum value of SAR (measured) = 0.067 mW/g

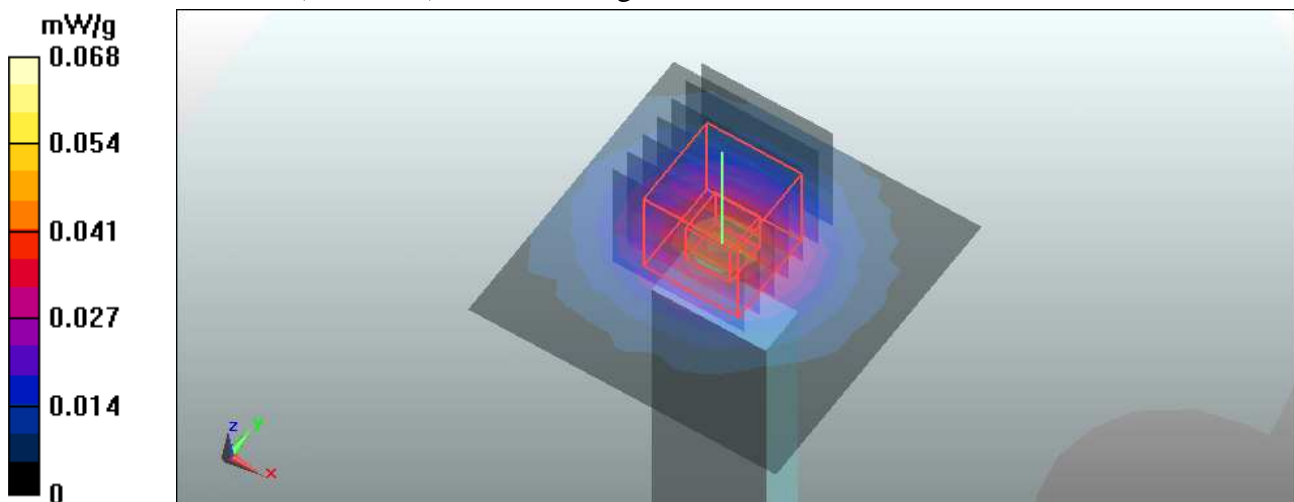
11N-20M/High Channel 11/Zoom Scan (7x7x11)/Cube 0: Measurement grid: dx=5mm, dy=5mm, dz=3mm

Reference Value = 5.49 V/m; Power Drift = 0.108 dB

Peak SAR (extrapolated) = 0.105 W/kg

SAR(1 g) = **0.052 mW/g**; SAR(10 g) = 0.026 mW/g

Maximum value of SAR (measured) = 0.068 mW/g



Test Laboratory: Bureau Veritas ADT

M18-Body-Tail-11N-40M Ch 7

DUT: Cisco AM10 USB Network Adapter ; Type: Cisco AM10

Communication System: 2.4G 11n 40MHz ; Frequency: 2452 MHz ; Duty Cycle: 1:1 ; Modulation type: BPSK

Medium: MSL2450 Medium parameters used: $f = 2452 \text{ MHz}$; $\sigma = 2.01 \text{ mho/m}$; $\epsilon_r = 53.94$; $\rho = 1000 \text{ kg/m}^3$

Phantom section: Flat Section ; Separation distance : 5 mm (The Tail side of the EUT with Holster to the Phantom)

DASY5 Configuration:

- Probe: EX3DV4 - SN3590 ; ConvF(7.96, 7.96, 7.96) ; Calibrated: 2009/4/28
- Sensor-Surface: 3mm (Mechanical Surface Detection)
- Electronics: DAE3 Sn510 ; Calibrated: 2009/12/16
- Phantom: SAM with CRP ; Type: SAM ; Serial: TP-1485
- Measurement SW: DASY5, V5.2 Build 157 ; SEMCAD X Version 14.0 Build 57

11N-40M/High Channel 7/Area Scan (15x15x1): Measurement grid: $dx=5\text{mm}$, $dy=5\text{mm}$

Maximum value of SAR (measured) = 0.048 mW/g

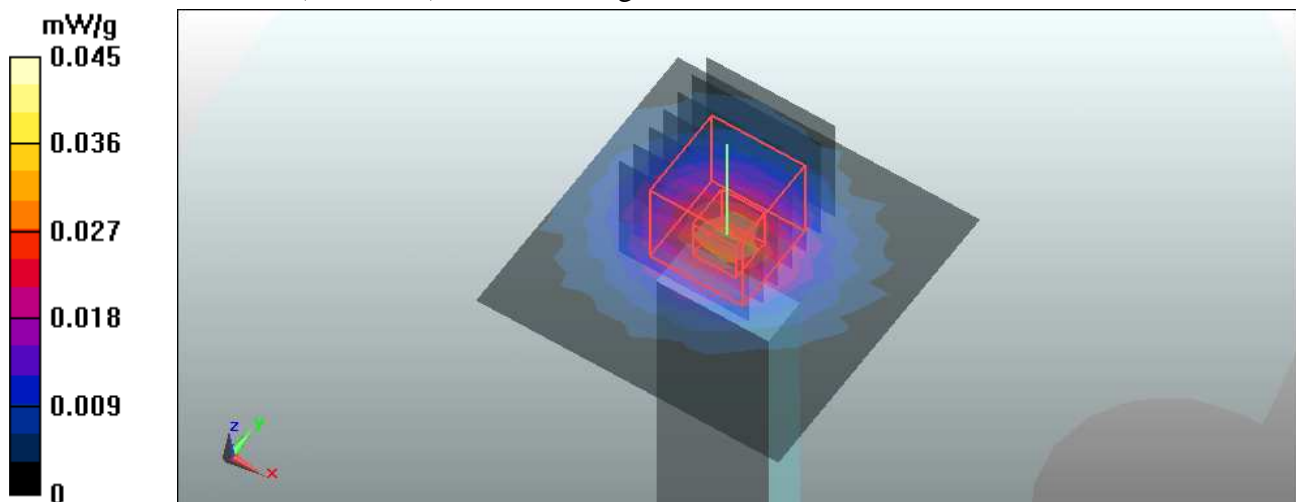
11N-40M/High Channel 7/Zoom Scan (7x7x11)/Cube 0: Measurement grid: $dx=5\text{mm}$, $dy=5\text{mm}$, $dz=3\text{mm}$

Reference Value = 6 V/m; Power Drift = -0.157 dB

Peak SAR (extrapolated) = 0.071 W/kg

SAR(1 g) = **0.035 mW/g**; SAR(10 g) = 0.017 mW/g

Maximum value of SAR (measured) = 0.045 mW/g



Test Laboratory: Bureau Veritas ADT

M19-Body-Horizontal-Up-11b Ch 11/Ant 1

DUT: Cisco AM10 USB Network Adapter ; Type: Cisco AM10

Communication System: 802.11B ; Frequency: 2462 MHz ; Duty Cycle: 1:1 ; Modulation type: DBPSK
 Medium: MSL2450 Medium parameters used: $f = 2462 \text{ MHz}$; $\sigma = 2.02 \text{ mho/m}$; $\epsilon_r = 53.9$; $\rho = 1000 \text{ kg/m}^3$
 Phantom section: Flat Section ; Separation distance : 5 mm (The Horizontal-Up side of the EUT with Holster to the Phantom)

DASY5 Configuration:

- Probe: EX3DV4 - SN3590 ; ConvF(7.96, 7.96, 7.96) ; Calibrated: 2009/4/28
- Sensor-Surface: 3mm (Mechanical Surface Detection)
- Electronics: DAE3 Sn510 ; Calibrated: 2009/12/16
- Phantom: SAM with CRP ; Type: SAM ; Serial: TP-1485
- Measurement SW: DASY5, V5.2 Build 157 ; SEMCAD X Version 14.0 Build 57

11b/High Channel 11/Area Scan (15x19x1): Measurement grid: $dx=5\text{mm}$, $dy=5\text{mm}$
 Maximum value of SAR (measured) = 0.790 mW/g

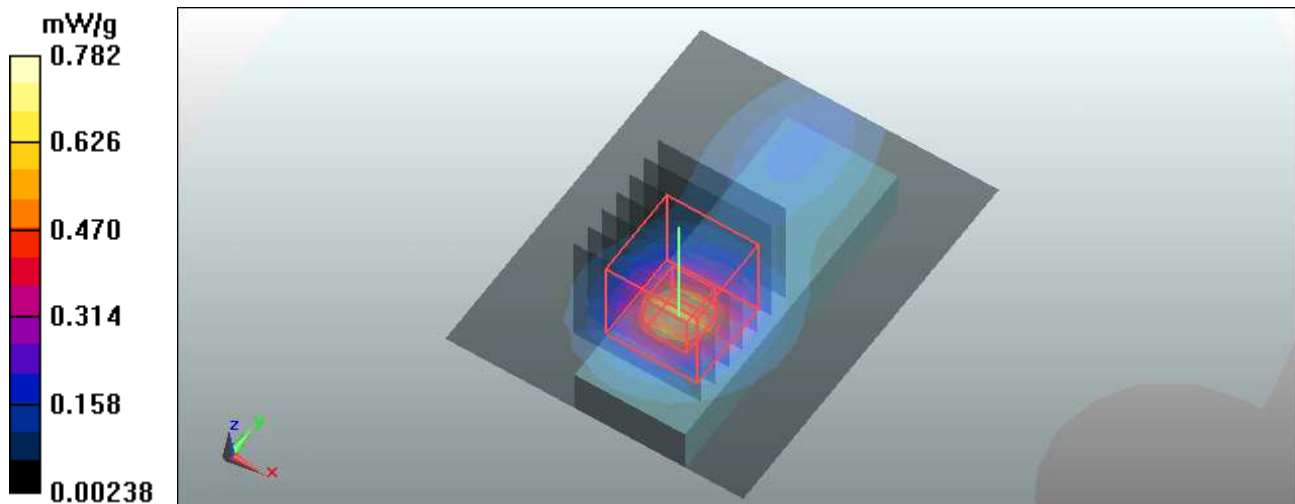
11b/High Channel 11/Zoom Scan (7x7x11)/Cube 0: Measurement grid: $dx=5\text{mm}$, $dy=5\text{mm}$,
 $dz=3\text{mm}$

Reference Value = 13.1 V/m; Power Drift = -0.103 dB

Peak SAR (extrapolated) = 1.28 W/kg

SAR(1 g) = **0.574 mW/g**; SAR(10 g) = **0.244 mW/g**

Maximum value of SAR (measured) = 0.782 mW/g



Test Laboratory: Bureau Veritas ADT

M20-Body-Horizontal-Up-11b Ch 11/Ant 2

DUT: Cisco AM10 USB Network Adapter ; Type: Cisco AM10

Communication System: 802.11B ; Frequency: 2462 MHz ; Duty Cycle: 1:1 ; Modulation type: DBPSK
 Medium: MSL2450 Medium parameters used: $f = 2462 \text{ MHz}$; $\sigma = 2.02 \text{ mho/m}$; $\epsilon_r = 53.9$; $\rho = 1000 \text{ kg/m}^3$
 Phantom section: Flat Section ; Separation distance : 5 mm (The Horizontal-Up side of the EUT with Holster to the Phantom)

DASY5 Configuration:

- Probe: EX3DV4 - SN3590 ; ConvF(7.96, 7.96, 7.96) ; Calibrated: 2009/4/28
- Sensor-Surface: 3mm (Mechanical Surface Detection)
- Electronics: DAE3 Sn510 ; Calibrated: 2009/12/16
- Phantom: SAM with CRP ; Type: SAM ; Serial: TP-1485
- Measurement SW: DASY5, V5.2 Build 157 ; SEMCAD X Version 14.0 Build 57

11b/High Channel 11/Area Scan (15x19x1): Measurement grid: $dx=5\text{mm}$, $dy=5\text{mm}$
 Maximum value of SAR (measured) = 0.897 mW/g

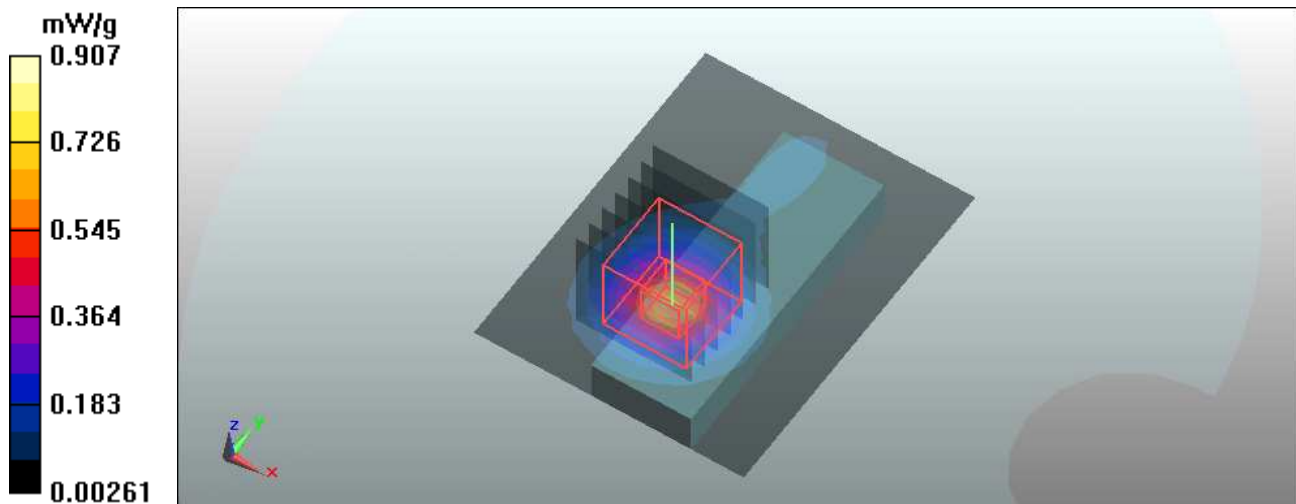
11b/High Channel 11/Zoom Scan (7x7x11)/Cube 0: Measurement grid: $dx=5\text{mm}$, $dy=5\text{mm}$,
 $dz=3\text{mm}$

Reference Value = 9.03 V/m; Power Drift = -0.113 dB

Peak SAR (extrapolated) = 1.47 W/kg

SAR(1 g) = 0.664 mW/g; SAR(10 g) = 0.280 mW/g

Maximum value of SAR (measured) = 0.907 mW/g



Test Laboratory: Bureau Veritas ADT

M21-Body-Horizontal-Up-11g Ch 1/Ant 1

DUT: Cisco AM10 USB Network Adapter ; Type: Cisco AM10

Communication System: 802.11G ; Frequency: 2412 MHz ; Duty Cycle: 1:1 ; Modulation type: BPSK
 Medium: MSL2450 Medium parameters used: $f = 2412 \text{ MHz}$; $\sigma = 1.96 \text{ mho/m}$; $\epsilon_r = 54.2$; $\rho = 1000 \text{ kg/m}^3$
 Phantom section: Flat Section ; Separation distance : 5 mm (The Horizontal-Up side of the EUT with Holster to the Phantom)

DASY5 Configuration:

- Probe: EX3DV4 - SN3590 ; ConvF(7.96, 7.96, 7.96) ; Calibrated: 2009/4/28
- Sensor-Surface: 3mm (Mechanical Surface Detection)
- Electronics: DAE3 Sn510 ; Calibrated: 2009/12/16
- Phantom: SAM with CRP ; Type: SAM ; Serial: TP-1485
- Measurement SW: DASY5, V5.2 Build 157 ; SEMCAD X Version 14.0 Build 57

11g/Low Channel 1/Area Scan (15x19x1): Measurement grid: $dx=5\text{mm}$, $dy=5\text{mm}$

Maximum value of SAR (measured) = 0.075 mW/g

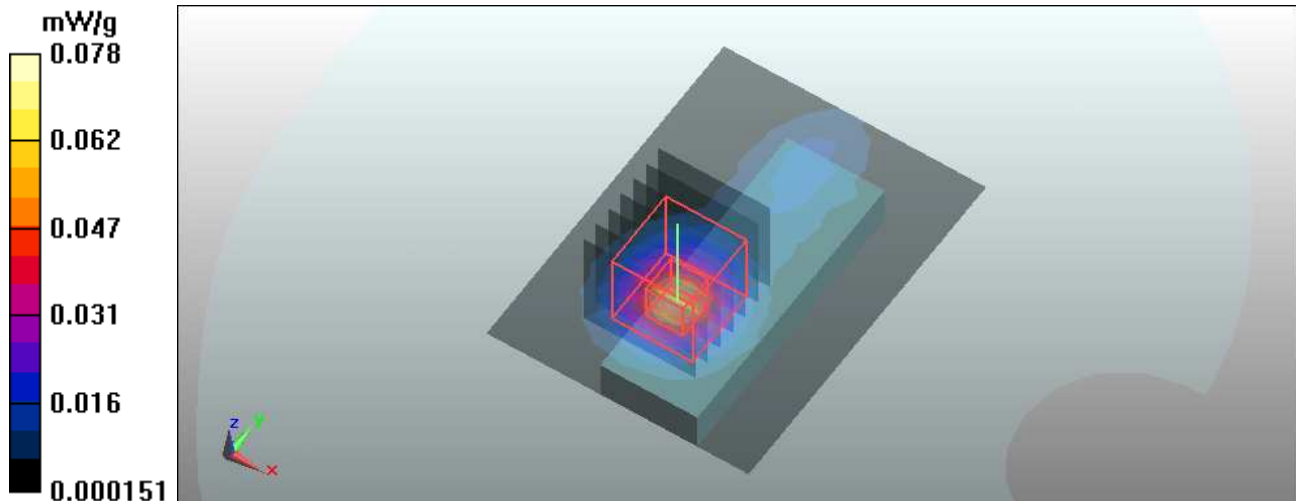
11g/Low Channel 1/Zoom Scan (7x7x11)/Cube 0: Measurement grid: $dx=5\text{mm}$, $dy=5\text{mm}$, $dz=3\text{mm}$

Reference Value = 5.32 V/m; Power Drift = -0.158 dB

Peak SAR (extrapolated) = 0.127 W/kg

SAR(1 g) = 0.0575 mW/g; SAR(10 g) = 0.026 mW/g

Maximum value of SAR (measured) = 0.078 mW/g



Test Laboratory: Bureau Veritas ADT

M22-Body-Horizontal-Up-11g Ch 1/Ant 2

DUT: Cisco AM10 USB Network Adapter ; Type: Cisco AM10

Communication System: 802.11G ; Frequency: 2412 MHz ; Duty Cycle: 1:1 ; Modulation type: BPSK
 Medium: MSL2450 Medium parameters used: $f = 2412 \text{ MHz}$; $\sigma = 1.96 \text{ mho/m}$; $\epsilon_r = 54.2$; $\rho = 1000 \text{ kg/m}^3$
 Phantom section: Flat Section ; Separation distance : 5 mm (The Horizontal-Up side of the EUT with Holster to the Phantom)

DASY5 Configuration:

- Probe: EX3DV4 - SN3590 ; ConvF(7.96, 7.96, 7.96) ; Calibrated: 2009/4/28
- Sensor-Surface: 3mm (Mechanical Surface Detection)
- Electronics: DAE3 Sn510 ; Calibrated: 2009/12/16
- Phantom: SAM with CRP ; Type: SAM ; Serial: TP-1485
- Measurement SW: DASY5, V5.2 Build 157 ; SEMCAD X Version 14.0 Build 57

11g/Low Channel 1/Area Scan (15x20x1): Measurement grid: $dx=5\text{mm}$, $dy=5\text{mm}$
 Maximum value of SAR (measured) = 0.090 mW/g

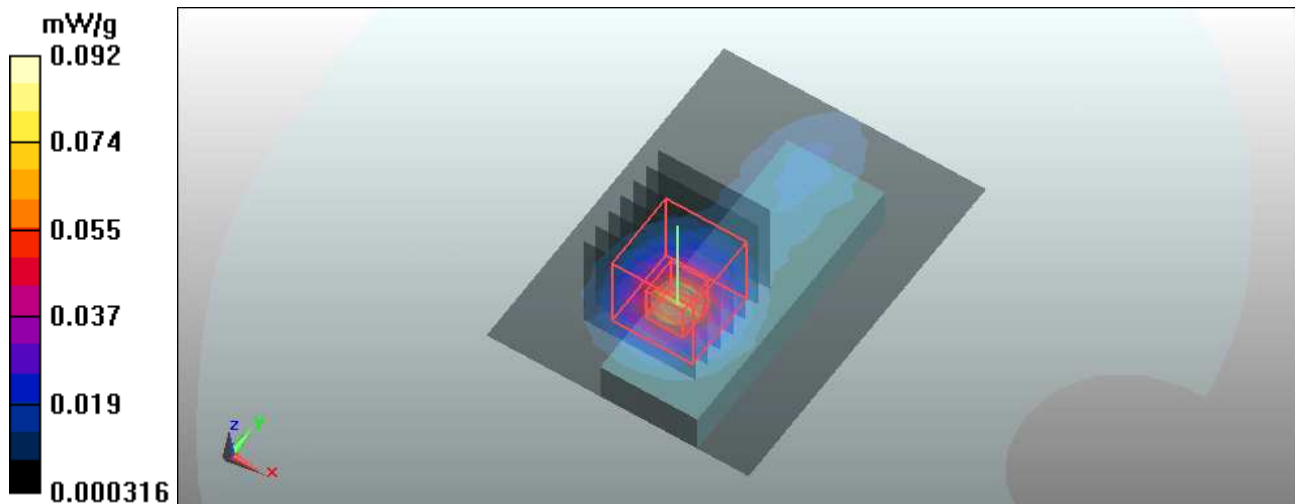
11g/Low Channel 1/Zoom Scan (7x7x11)/Cube 0: Measurement grid: $dx=5\text{mm}$, $dy=5\text{mm}$,
 $dz=3\text{mm}$

Reference Value = 3.2 V/m; Power Drift = 0.049 dB

Peak SAR (extrapolated) = 0.148 W/kg

SAR(1 g) = 0.0681 mW/g; SAR(10 g) = 0.0292 mW/g

Maximum value of SAR (measured) = 0.092 mW/g



Test Laboratory: Bureau Veritas ADT

M23-Body-Horizontal-Up-11N-20M Ch 11

DUT: Cisco AM10 USB Network Adapter ; Type: Cisco AM10

Communication System: 2.4G 11n 20MHz ; Frequency: 2462 MHz ; Duty Cycle: 1:1 ; Modulation type: BPSK

Medium: MSL2450 Medium parameters used: $f = 2462 \text{ MHz}$; $\sigma = 2.02 \text{ mho/m}$; $\epsilon_r = 53.9$; $\rho = 1000 \text{ kg/m}^3$

Phantom section: Flat Section ; Separation distance : 5 mm (The Horizontal-Up side of the EUT with Holster to the Phantom)

DASY5 Configuration:

- Probe: EX3DV4 - SN3590 ; ConvF(7.96, 7.96, 7.96) ; Calibrated: 2009/4/28
- Sensor-Surface: 3mm (Mechanical Surface Detection)
- Electronics: DAE3 Sn510 ; Calibrated: 2009/12/16
- Phantom: SAM with CRP ; Type: SAM ; Serial: TP-1485
- Measurement SW: DASY5, V5.2 Build 157 ; SEMCAD X Version 14.0 Build 57

11N-20M/High Channel 11/Area Scan (15x20x1): Measurement grid: $dx=5\text{mm}$, $dy=5\text{mm}$

Maximum value of SAR (measured) = 0.439 mW/g

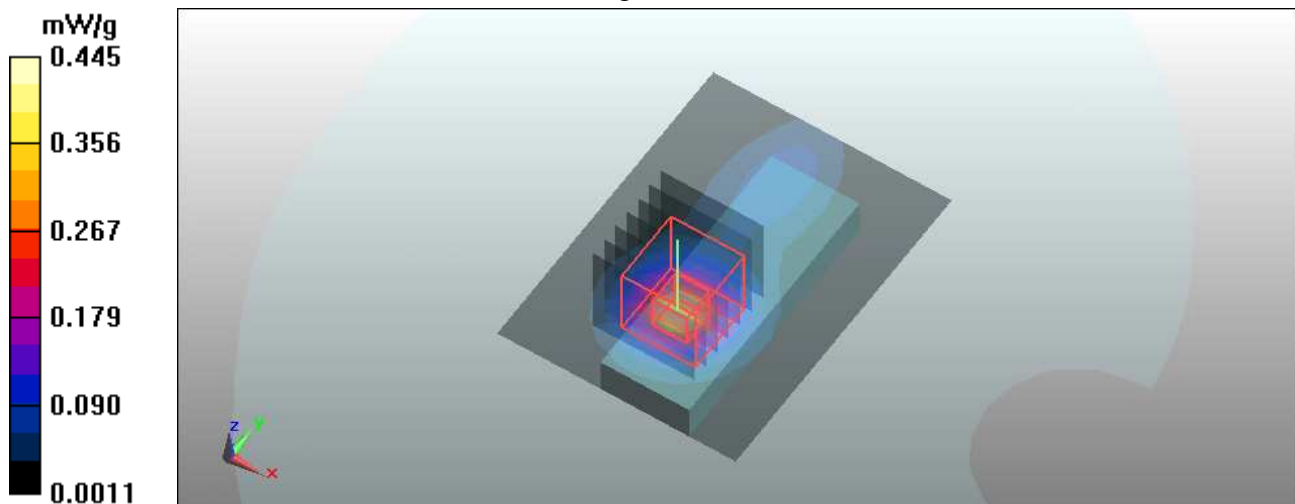
11N-20M/High Channel 11/Zoom Scan (7x7x11)/Cube 0: Measurement grid: $dx=5\text{mm}$, $dy=5\text{mm}$, $dz=3\text{mm}$

Reference Value = 7.57 V/m; Power Drift = -0.182 dB

Peak SAR (extrapolated) = 0.725 W/kg

SAR(1 g) = 0.329 mW/g; SAR(10 g) = 0.141 mW/g

Maximum value of SAR (measured) = 0.445 mW/g



Test Laboratory: Bureau Veritas ADT

M24-Body-Horizontal-Up-11N-40M Ch 7

DUT: Cisco AM10 USB Network Adapter ; Type: Cisco AM10

Communication System: 2.4G 11n 40MHz ; Frequency: 2452 MHz ; Duty Cycle: 1:1 ; Modulation type: BPSK

Medium: MSL2450 Medium parameters used: $f = 2452$ MHz; $\sigma = 2.01$ mho/m; $\epsilon_r = 53.92$; $\rho = 1000$ kg/m³

Phantom section: Flat Section ; Separation distance : 5 mm (The Horizontal-Up side of the EUT with Holster to the Phantom)

DASY5 Configuration:

- Probe: EX3DV4 - SN3590 ; ConvF(7.96, 7.96, 7.96) ; Calibrated: 2009/4/28
- Sensor-Surface: 3mm (Mechanical Surface Detection)
- Electronics: DAE3 Sn510 ; Calibrated: 2009/12/16
- Phantom: SAM with CRP ; Type: SAM ; Serial: TP-1485
- Measurement SW: DASY5, V5.2 Build 157 ; SEMCAD X Version 14.0 Build 57

11N-40M/High Channel 7/Area Scan (15x19x1): Measurement grid: dx=5mm, dy=5mm

Maximum value of SAR (measured) = 0.359 mW/g

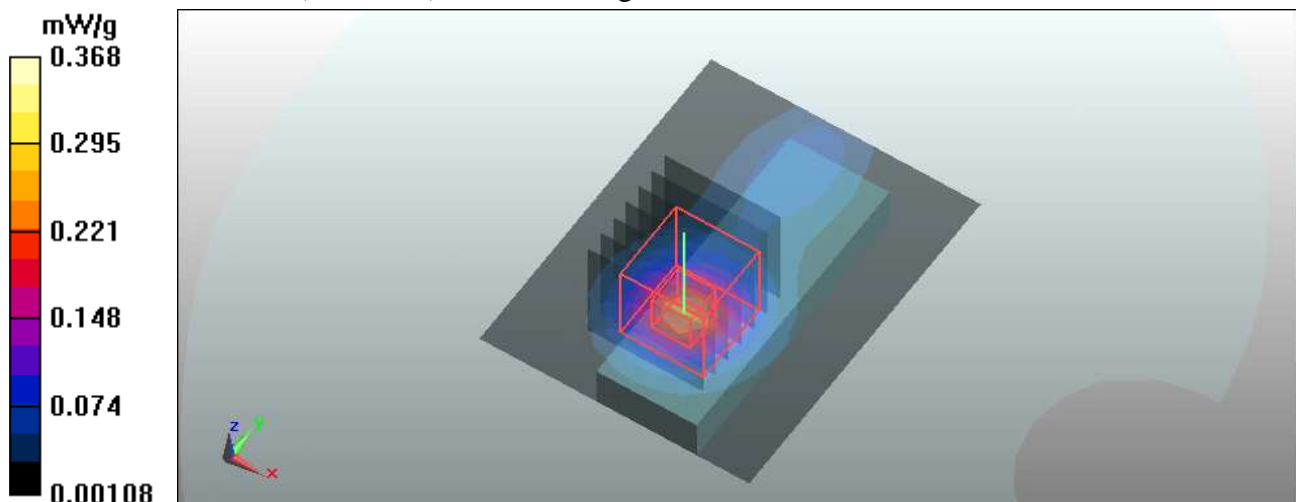
11N-40M/High Channel 7/Zoom Scan (7x7x11)/Cube 0: Measurement grid: dx=5mm, dy=5mm, dz=3mm

Reference Value = 7.36 V/m; Power Drift = -0.153 dB

Peak SAR (extrapolated) = 0.594 W/kg

SAR(1 g) = **0.272 mW/g**; SAR(10 g) = 0.117 mW/g

Maximum value of SAR (measured) = 0.368 mW/g



Test Laboratory: Bureau Veritas ADT

M25-Body-Horizontal-Down-11b Ch 11/Ant 1

DUT: Cisco AM10 USB Network Adapter ; Type: Cisco AM10

Communication System: 802.11B ; Frequency: 2462 MHz ; Duty Cycle: 1:1 ; Modulation type: DBPSK
 Medium: MSL2450 Medium parameters used: $f = 2462 \text{ MHz}$; $\sigma = 2.03 \text{ mho/m}$; $\epsilon_r = 53.91$; $\rho = 1000 \text{ kg/m}^3$

Phantom section: Flat Section ; Separation distance : 5 mm (The Horizontal-Down side of the EUT with Holster to the Phantom)

DASY5 Configuration:

- Probe: EX3DV4 - SN3590 ; ConvF(7.96, 7.96, 7.96) ; Calibrated: 2009/4/28
- Sensor-Surface: 3mm (Mechanical Surface Detection)
- Electronics: DAE3 Sn510 ; Calibrated: 2009/12/16
- Phantom: SAM with CRP ; Type: SAM ; Serial: TP-1485
- Measurement SW: DASY5, V5.2 Build 157 ; SEMCAD X Version 14.0 Build 57

11b/High Channel 11/Area Scan (15x19x1): Measurement grid: $dx=5\text{mm}$, $dy=5\text{mm}$
 Maximum value of SAR (measured) = 1.09 mW/g

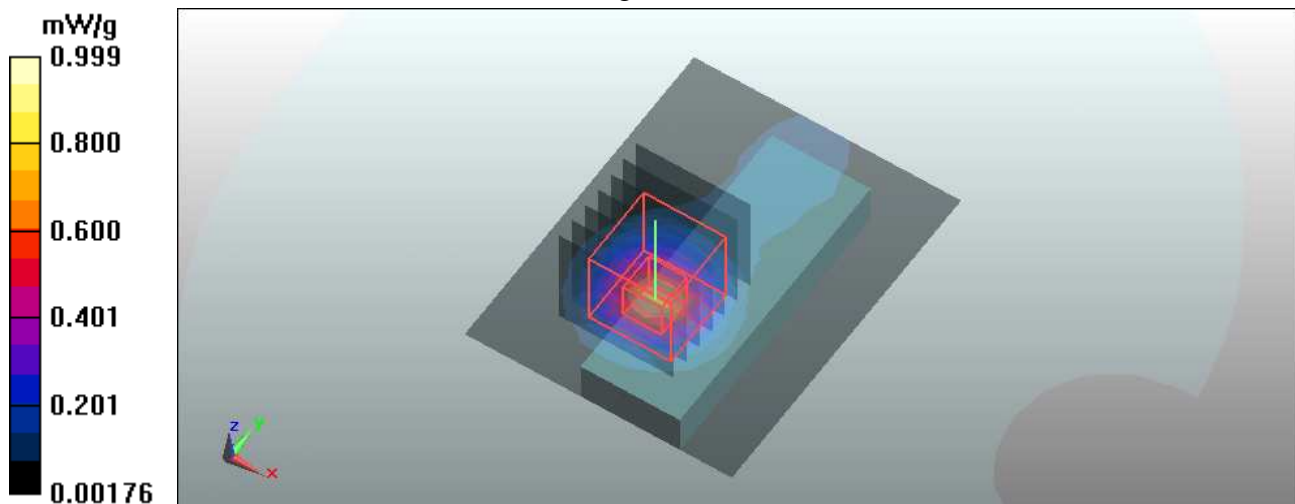
11b/High Channel 11/Zoom Scan (7x7x11)/Cube 0: Measurement grid: $dx=5\text{mm}$, $dy=5\text{mm}$,
 $dz=3\text{mm}$

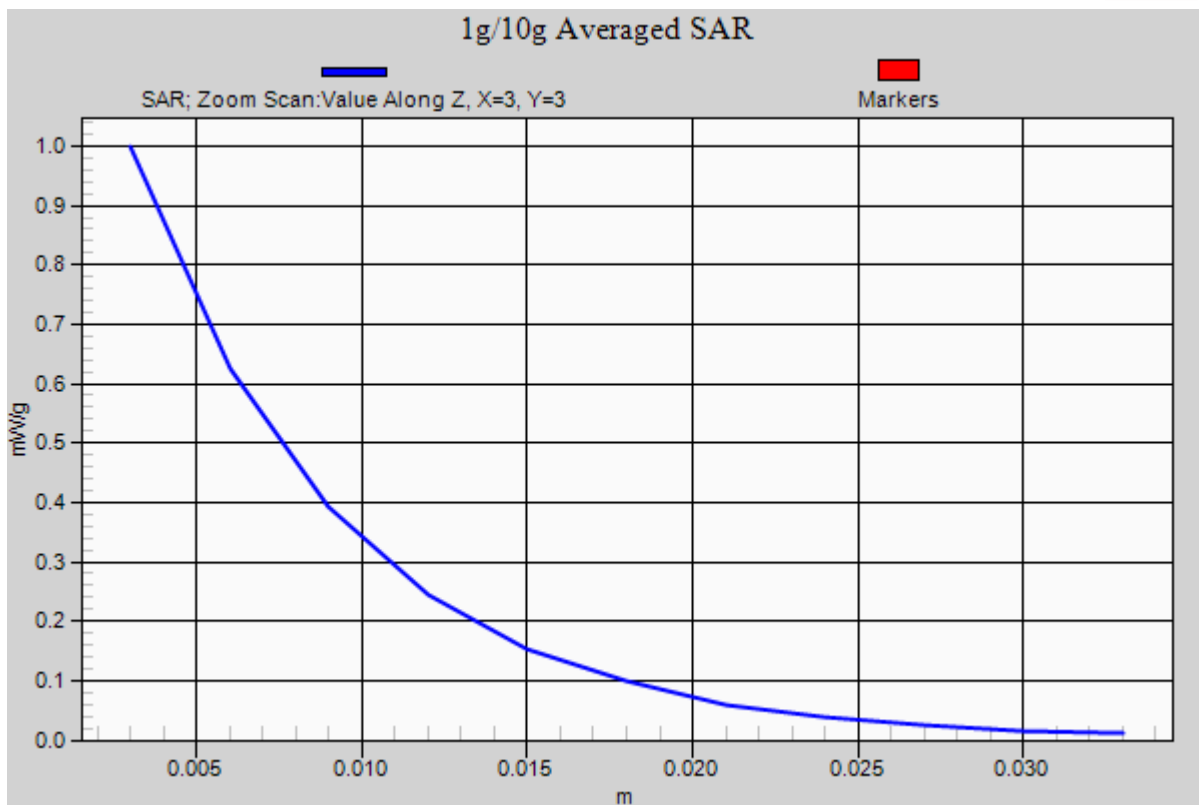
Reference Value = 12.4 V/m; Power Drift = -0.093 dB

Peak SAR (extrapolated) = 1.63 W/kg

SAR(1 g) = 0.723 mW/g; SAR(10 g) = 0.298 mW/g

Maximum value of SAR (measured) = 0.999 mW/g





Test Laboratory: Bureau Veritas ADT

M26-Body-Horizontal-Down-11b Ch 11/Ant 2

DUT: Cisco AM10 USB Network Adapter ; Type: Cisco AM10

Communication System: 802.11B ; Frequency: 2462 MHz ; Duty Cycle: 1:1 ; Modulation type: DBPSK
 Medium: MSL2450 Medium parameters used: $f = 2462$ MHz; $\sigma = 2.03$ mho/m; $\epsilon_r = 53.91$; $\rho = 1000$ kg/m³

Phantom section: Flat Section ; Separation distance : 5 mm (The Horizontal-Down side of the EUT with Holster to the Phantom)

DASY5 Configuration:

- Probe: EX3DV4 - SN3590 ; ConvF(7.96, 7.96, 7.96) ; Calibrated: 2009/4/28
- Sensor-Surface: 3mm (Mechanical Surface Detection)
- Electronics: DAE3 Sn510 ; Calibrated: 2009/12/16
- Phantom: SAM with CRP ; Type: SAM ; Serial: TP-1485
- Measurement SW: DASY5, V5.2 Build 157 ; SEMCAD X Version 14.0 Build 57

11b/High Channel 11/Area Scan (15x19x1): Measurement grid: dx=5mm, dy=5mm

Maximum value of SAR (measured) = 0.750 mW/g

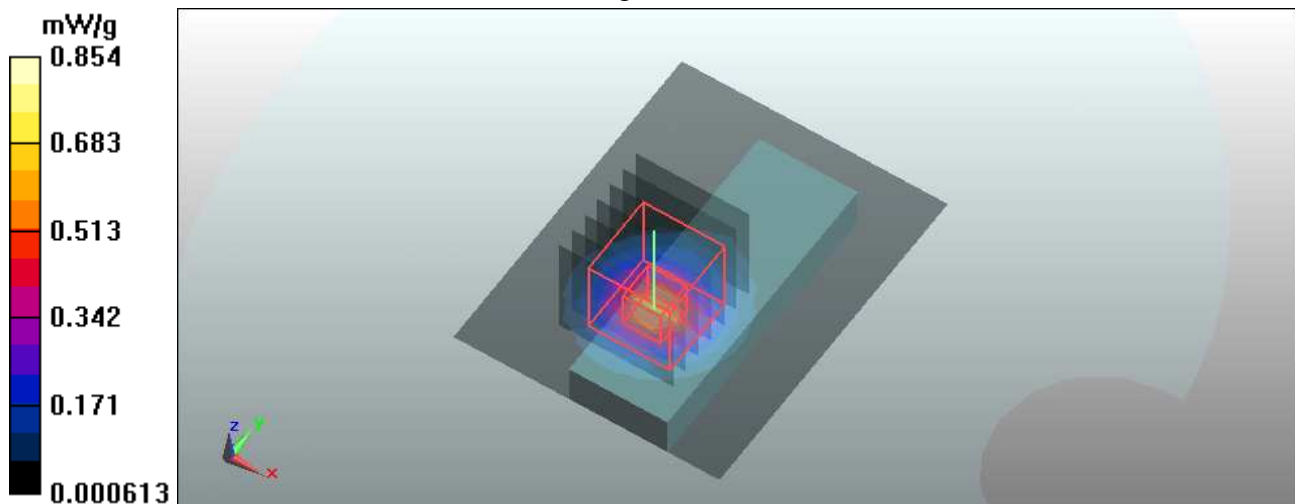
11b/High Channel 11/Zoom Scan (7x7x11)/Cube 0: Measurement grid: dx=5mm, dy=5mm, dz=3mm

Reference Value = 7.42 V/m; Power Drift = -0.107 dB

Peak SAR (extrapolated) = 1.43 W/kg

SAR(1 g) = 0.615 mW/g; SAR(10 g) = 0.246 mW/g

Maximum value of SAR (measured) = 0.854 mW/g



Test Laboratory: Bureau Veritas ADT

M27-Body-Horizontal-Down-11g Ch 1/Ant 1

DUT: Cisco AM10 USB Network Adapter ; Type: Cisco AM10

Communication System: 802.11G ; Frequency: 2412 MHz ; Duty Cycle: 1:1 ; Modulation type: BPSK
 Medium: MSL2450 Medium parameters used: $f = 2412 \text{ MHz}$; $\sigma = 1.97 \text{ mho/m}$; $\epsilon_r = 54.2$; $\rho = 1000 \text{ kg/m}^3$
 Phantom section: Flat Section ; Separation distance : 5 mm (The Horizontal-Down side of the EUT with Holster to the Phantom)

DASY5 Configuration:

- Probe: EX3DV4 - SN3590 ; ConvF(7.96, 7.96, 7.96) ; Calibrated: 2009/4/28
- Sensor-Surface: 3mm (Mechanical Surface Detection)
- Electronics: DAE3 Sn510 ; Calibrated: 2009/12/16
- Phantom: SAM with CRP ; Type: SAM ; Serial: TP-1485
- Measurement SW: DASY5, V5.2 Build 157 ; SEMCAD X Version 14.0 Build 57

11g/Low Channel 1/Area Scan (15x19x1): Measurement grid: $dx=5\text{mm}$, $dy=5\text{mm}$
 Maximum value of SAR (measured) = 0.114 mW/g

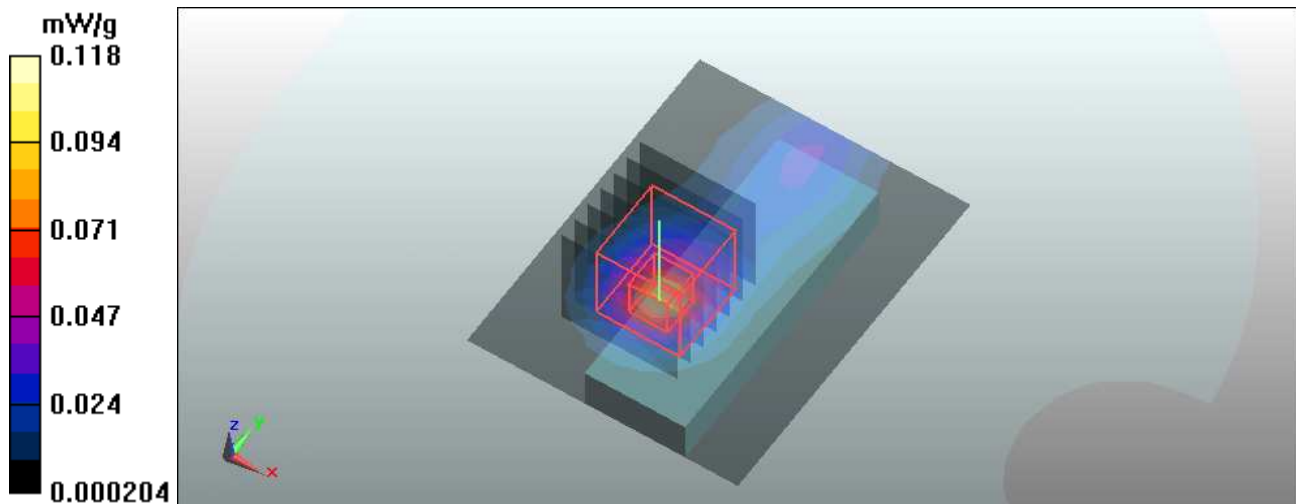
11g/Low Channel 1/Zoom Scan (7x7x11)/Cube 0: Measurement grid: $dx=5\text{mm}$, $dy=5\text{mm}$,
 $dz=3\text{mm}$

Reference Value = 4.01 V/m; Power Drift = 0.117 dB

Peak SAR (extrapolated) = 0.187 W/kg

SAR(1 g) = 0.087 mW/g; SAR(10 g) = 0.037 mW/g

Maximum value of SAR (measured) = 0.118 mW/g



Test Laboratory: Bureau Veritas ADT

M28-Body-Horizontal-Down-11g Ch 1/Ant 2

DUT: Cisco AM10 USB Network Adapter ; Type: Cisco AM10

Communication System: 802.11G ; Frequency: 2412 MHz ; Duty Cycle: 1:1 ; Modulation type: BPSK
 Medium: MSL2450 Medium parameters used: $f = 2412 \text{ MHz}$; $\sigma = 1.97 \text{ mho/m}$; $\epsilon_r = 54.2$; $\rho = 1000 \text{ kg/m}^3$
 Phantom section: Flat Section ; Separation distance : 5 mm (The Horizontal-Down side of the EUT with Holster to the Phantom)

DASY5 Configuration:

- Probe: EX3DV4 - SN3590 ; ConvF(7.96, 7.96, 7.96) ; Calibrated: 2009/4/28
- Sensor-Surface: 3mm (Mechanical Surface Detection)
- Electronics: DAE3 Sn510 ; Calibrated: 2009/12/16
- Phantom: SAM with CRP ; Type: SAM ; Serial: TP-1485
- Measurement SW: DASY5, V5.2 Build 157 ; SEMCAD X Version 14.0 Build 57

11g/Low Channel 1/Area Scan (15x19x1): Measurement grid: $dx=5\text{mm}$, $dy=5\text{mm}$
 Maximum value of SAR (measured) = 0.100 mW/g

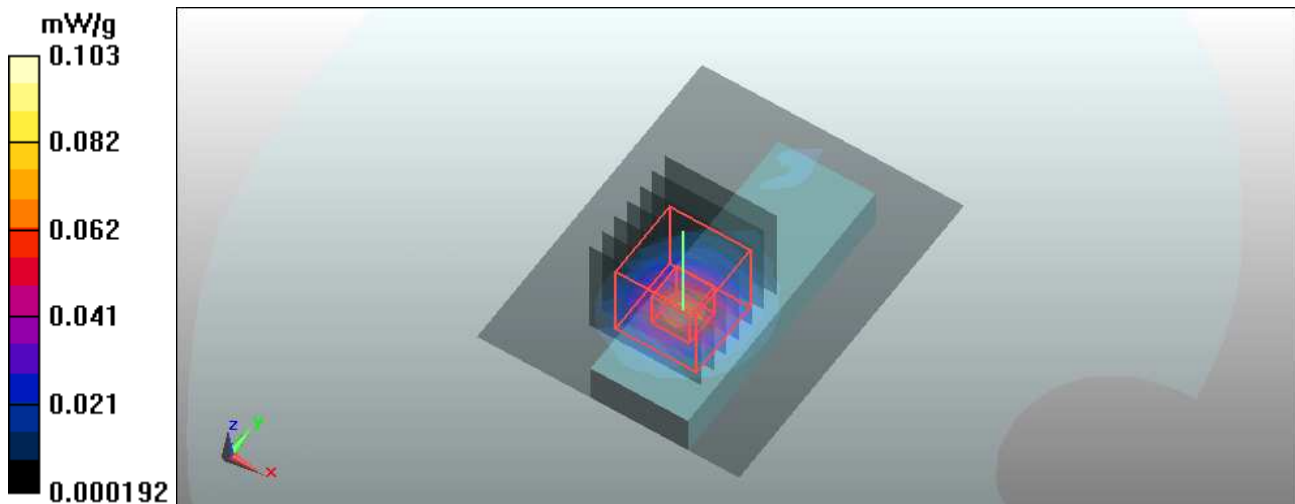
11g /Low Channel 1/Zoom Scan (7x7x11)/Cube 0: Measurement grid: $dx=5\text{mm}$, $dy=5\text{mm}$,
 $dz=3\text{mm}$

Reference Value = 3.69 V/m; Power Drift = -0.017 dB

Peak SAR (extrapolated) = 0.168 W/kg

SAR(1 g) = **0.075 mW/g**; SAR(10 g) = **0.030 mW/g**

Maximum value of SAR (measured) = 0.103 mW/g



Test Laboratory: Bureau Veritas ADT

M29-Body-Horizontal-Down-11N-20M Ch 11

DUT: Cisco AM10 USB Network Adapter ; Type: Cisco AM10

Communication System: 2.4G 11n 20MHz ; Frequency: 2462 MHz ; Duty Cycle: 1:1 ; Modulation type: BPSK

Medium: MSL2450 Medium parameters used: $f = 2462 \text{ MHz}$; $\sigma = 2.03 \text{ mho/m}$; $\epsilon_r = 53.91$; $\rho = 1000 \text{ kg/m}^3$

Phantom section: Flat Section ; Separation distance : 5 mm (The Horizontal-Down side of the EUT with Holster to the Phantom)

DASY5 Configuration:

- Probe: EX3DV4 - SN3590 ; ConvF(7.96, 7.96, 7.96) ; Calibrated: 2009/4/28
- Sensor-Surface: 3mm (Mechanical Surface Detection)
- Electronics: DAE3 Sn510 ; Calibrated: 2009/12/16
- Phantom: SAM with CRP ; Type: SAM ; Serial: TP-1485
- Measurement SW: DASY5, V5.2 Build 157 ; SEMCAD X Version 14.0 Build 57

11N-20M/High Channel 11/Area Scan (15x19x1): Measurement grid: $dx=5\text{mm}$, $dy=5\text{mm}$
 Maximum value of SAR (measured) = 0.691 mW/g

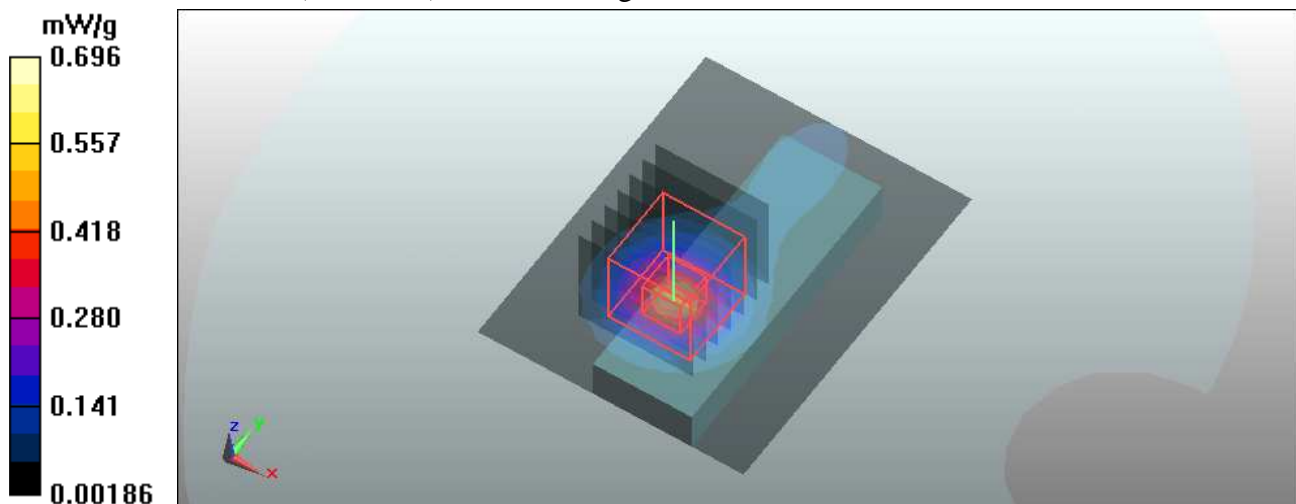
11N-20M/High Channel 11/Zoom Scan (7x7x11)/Cube 0: Measurement grid: $dx=5\text{mm}$, $dy=5\text{mm}$, $dz=3\text{mm}$

Reference Value = 9.48 V/m; Power Drift = -0.146 dB

Peak SAR (extrapolated) = 1.14 W/kg

SAR(1 g) = **0.504 mW/g**; SAR(10 g) = 0.206 mW/g

Maximum value of SAR (measured) = 0.696 mW/g



Test Laboratory: Bureau Veritas ADT

M30-Body-Horizontal-Down-11N-40M Ch 7

DUT: Cisco AM10 USB Network Adapter ; Type: Cisco AM10

Communication System: 2.4G 11n 40MHz ; Frequency: 2452 MHz ; Duty Cycle: 1:1 ; Modulation type: BPSK

Medium: MSL2450 Medium parameters used: $f = 2452 \text{ MHz}$; $\sigma = 2.02 \text{ mho/m}$; $\epsilon_r = 53.93$; $\rho = 1000 \text{ kg/m}^3$

Phantom section: Flat Section ; Separation distance : 5 mm (The Horizontal-Down side of the EUT with Holster to the Phantom)

DASY5 Configuration:

- Probe: EX3DV4 - SN3590 ; ConvF(7.96, 7.96, 7.96) ; Calibrated: 2009/4/28
- Sensor-Surface: 3mm (Mechanical Surface Detection)
- Electronics: DAE3 Sn510 ; Calibrated: 2009/12/16
- Phantom: SAM with CRP ; Type: SAM ; Serial: TP-1485
- Measurement SW: DASY5, V5.2 Build 157 ; SEMCAD X Version 14.0 Build 57

11N-40M/High Channel 7/Area Scan (15x19x1): Measurement grid: $dx=5\text{mm}$, $dy=5\text{mm}$

Maximum value of SAR (measured) = 0.501 mW/g

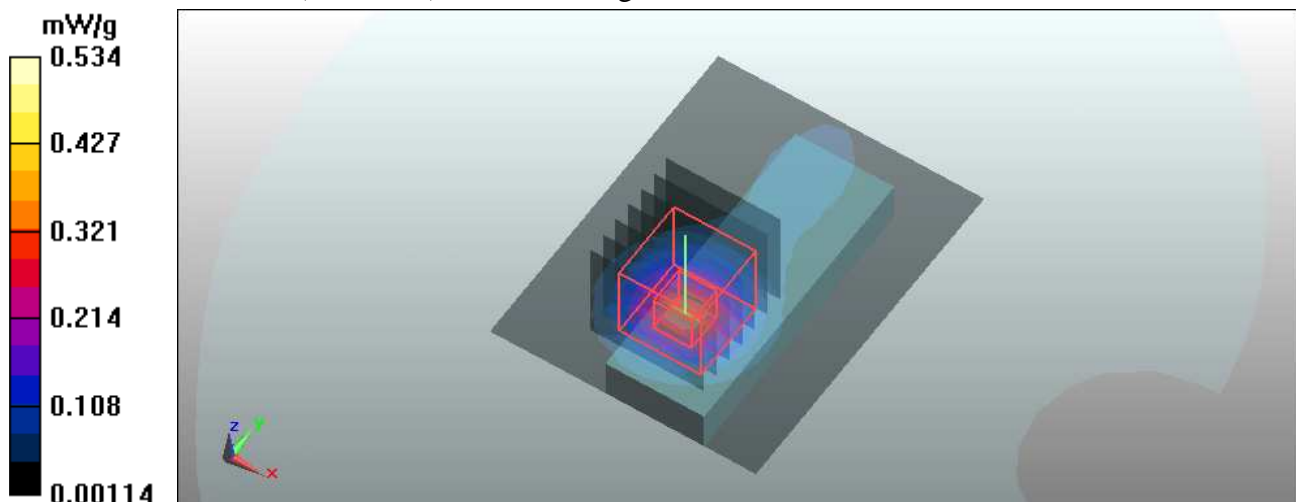
11N-40M/High Channel 7/Zoom Scan (7x7x11)/Cube 0: Measurement grid: $dx=5\text{mm}$, $dy=5\text{mm}$, $dz=3\text{mm}$

Reference Value = 8.46 V/m; Power Drift = -0.173 dB

Peak SAR (extrapolated) = 0.881 W/kg

SAR(1 g) = **0.387 mW/g**; SAR(10 g) = 0.159 mW/g

Maximum value of SAR (measured) = 0.534 mW/g



Test Laboratory: Bureau Veritas ADT

Step Size Minimum

DUT: Cisco AM10 USB Network Adapter ; Type: Cisco AM10

Communication System: 802.11B ; Frequency: 2462 MHz ; Duty Cycle: 1:1 ; Modulation type: DBPSK
 Medium: MSL2450 Medium parameters used: $f = 2462 \text{ MHz}$; $\sigma = 2.03 \text{ mho/m}$; $\epsilon_r = 53.91$; $\rho = 1000 \text{ kg/m}^3$

Phantom section: Flat Section ; Separation distance : 5 mm (The Horizontal-Down side of the EUT with Holster to the Phantom)

DASY5 Configuration:

- Probe: EX3DV4 - SN3590 ; ConvF(7.96, 7.96, 7.96) ; Calibrated: 2009/4/28
- Sensor-Surface: 2mm (Mechanical Surface Detection)
- Electronics: DAE3 Sn510 ; Calibrated: 2009/12/16
- Phantom: SAM with CRP ; Type: SAM ; Serial: TP-1485
- Measurement SW: DASY5, V5.2 Build 157 ; SEMCAD X Version 14.0 Build 57

11b/High Channel 11/Area Scan (15x19x1): Measurement grid: $dx=5\text{mm}$, $dy=5\text{mm}$
 Maximum value of SAR (measured) = 0.936 mW/g

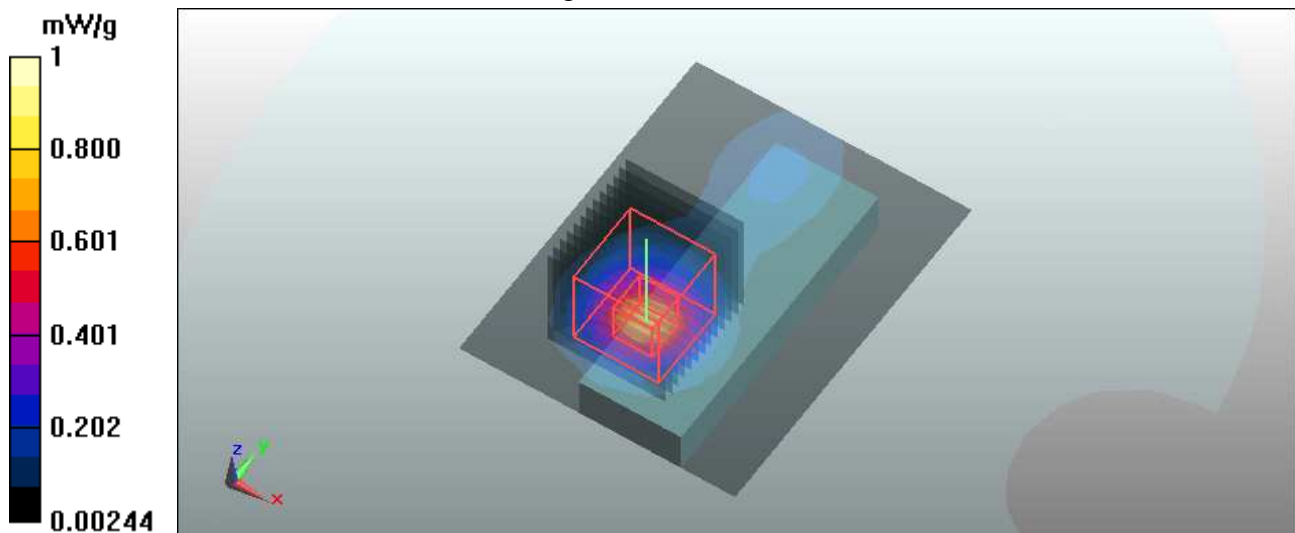
11b/High Channel 11/Zoom Scan (13x13x13)/Cube 0: Measurement grid: $dx=2.5\text{mm}$, $dy=2.5\text{mm}$, $dz=2.5\text{mm}$

Reference Value = 12.6 V/m; Power Drift = -0.161 dB

Peak SAR (extrapolated) = 1.64 W/kg

SAR(1 g) = 0.719 mW/g; SAR(10 g) = 0.291 mW/g

Maximum value of SAR (measured) = 1 mW/g



Test Laboratory: Bureau Veritas ADT

System Validation Check-MSL 2450MHz 1-12

DUT: Dipole 2450 MHz ; Type: D2450V2 ; Serial: 716 ; Test Frequency: 2450 MHz

Communication System: CW ; Frequency: 2450 MHz; Duty Cycle: 1:1; Modulation type: CW
 Medium: MSL2450; Medium parameters used: $f = 2450$ MHz; $\sigma = 2.01$ mho/m; $\epsilon_r = 53.95$; $\rho = 1000$ kg/m³ ; Liquid level : 152 mm
 Phantom section: Flat Section ; Separation distance : 10 mm (The feetpoint of the dipole to the Phantom) Air temp. : 23 degrees ; Liquid temp. : 22.5 degrees

DASY5 Configuration:

- Probe: EX3DV4 - SN3590 ; ConvF(7.96, 7.96, 7.96) ; Calibrated: 2009/4/28
- Sensor-Surface: 3mm (Mechanical Surface Detection)
- Electronics: DAE3 Sn510 ; Calibrated: 2009/12/16
- Phantom: SAM with CRP ; Type: SAM ; Serial: TP-1485
- Measurement SW: DASY5, V5.2 Build 157; SEMCAD X Version 14.0 Build 57

d=10mm, Pin=250mW/Area Scan (5x7x1): Measurement grid: dx=15mm, dy=15mm
 Maximum value of SAR (measured) = 17.5 mW/g

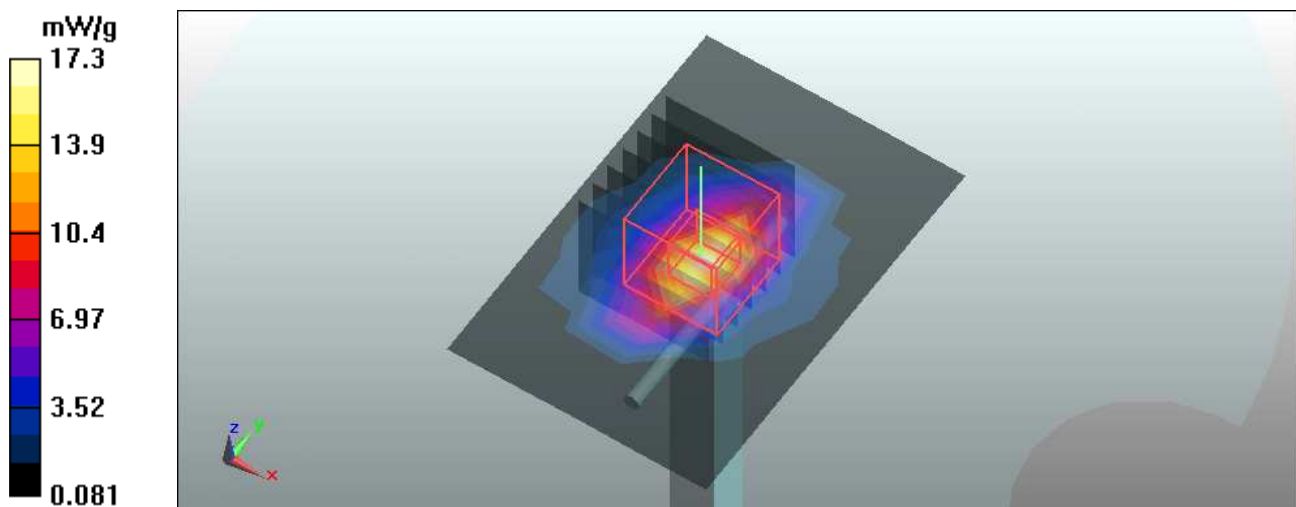
d=10mm, Pin=250mW/Zoom Scan (7x7x7)/Cube 0: Measurement grid: dx=5mm, dy=5mm, dz=5mm

Reference Value = 94.3 V/m; Power Drift = -0.102 dB

Peak SAR (extrapolated) = 27 W/kg

SAR(1 g) = 13.1 mW/g; SAR(10 g) = 5.97 mW/g

Maximum value of SAR (measured) = 17.3 mW/g



Test Laboratory: Bureau Veritas ADT

System Validation Check-MSL 2450MHz 1-13

DUT: Dipole 2450 MHz ; Type: D2450V2 ; Serial: 716 ; Test Frequency: 2450 MHz

Communication System: CW ; Frequency: 2450 MHz; Duty Cycle: 1:1; Modulation type: CW

Medium: MSL2450; Medium parameters used: $f = 2450$ MHz; $\sigma = 2$ mho/m; $\epsilon_r = 53.94$; $\rho = 1000$ kg/m³ ;

Liquid level : 151 mm

Phantom section: Flat Section ; Separation distance : 10 mm (The feetpoint of the dipole to the Phantom) Air temp. : 23.2 degrees ; Liquid temp. : 22.7 degrees

DASY5 Configuration:

- Probe: EX3DV4 - SN3590 ; ConvF(7.96, 7.96, 7.96) ; Calibrated: 2009/4/28
- Sensor-Surface: 3mm (Mechanical Surface Detection)
- Electronics: DAE3 Sn510 ; Calibrated: 2009/12/16
- Phantom: SAM with CRP ; Type: SAM ; Serial: TP-1485
- Measurement SW: DASY5, V5.2 Build 157 ; SEMCAD X Version 14.0 Build 57

d=10mm, Pin=250mW/Area Scan (5x7x1): Measurement grid: dx=15mm, dy=15mm

Maximum value of SAR (measured) = 17.6 mW/g

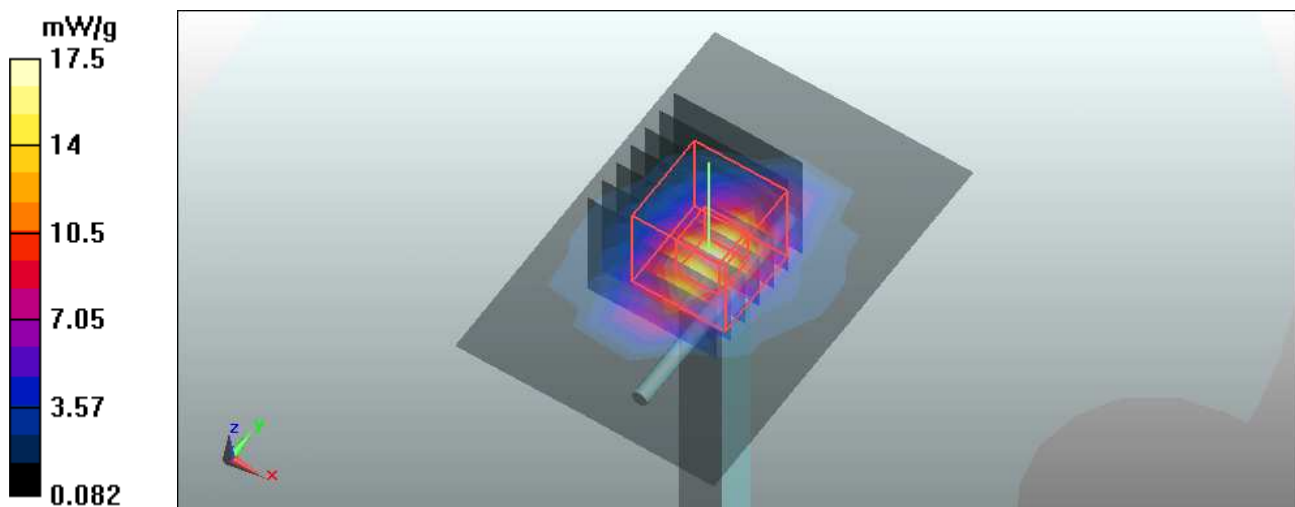
d=10mm, Pin=250mW/Zoom Scan (7x7x7)/Cube 0: Measurement grid: dx=5mm, dy=5mm, dz=5mm

Reference Value = 94.3 V/m; Power Drift = -0.108 dB

Peak SAR (extrapolated) = 27.3 W/kg

SAR(1 g) = 13.2 mW/g; SAR(10 g) = 6.03 mW/g

Maximum value of SAR (measured) = 17.5 mW/g



Test Laboratory: Bureau Veritas ADT

System Validation Check-MSL 2450MHz 1-14

DUT: Dipole 2450 MHz ; Type: D2450V2 ; Serial: 716 ; Test Frequency: 2450 MHz

Communication System: CW ; Frequency: 2450 MHz; Duty Cycle: 1:1; Modulation type: CW
 Medium: MSL2450; Medium parameters used: $f = 2450$ MHz; $\sigma = 2.01$ mho/m; $\epsilon_r = 53.96$; $\rho = 1000$ kg/m³ ; Liquid level : 152 mm
 Phantom section: Flat Section ; Separation distance : 10 mm (The feetpoint of the dipole to the Phantom) Air temp. : 23.1 degrees ; Liquid temp. : 22.6 degrees

DASY5 Configuration:

- Probe: EX3DV4 - SN3590 ; ConvF(7.96, 7.96, 7.96) ; Calibrated: 2009/4/28
- Sensor-Surface: 3mm (Mechanical Surface Detection)
- Electronics: DAE3 Sn510 ; Calibrated: 2009/12/16
- Phantom: SAM with CRP ; Type: SAM ; Serial: TP-1485
- Measurement SW: DASY5, V5.2 Build 157 ; SEMCAD X Version 14.0 Build 57

d=10mm, Pin=250mW/Area Scan (5x7x1): Measurement grid: dx=15mm, dy=15mm
 Maximum value of SAR (measured) = 17.8 mW/g

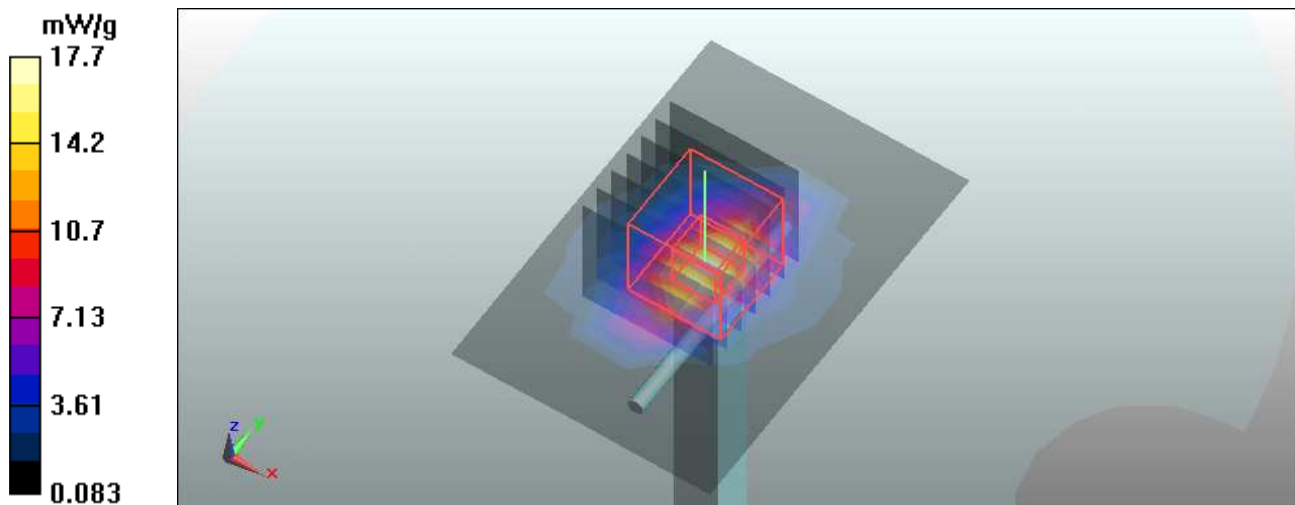
d=10mm, Pin=250mW/Zoom Scan (7x7x7)/Cube 0: Measurement grid: dx=5mm, dy=5mm, dz=5mm

Reference Value = 94.3 V/m; Power Drift = -0.113 dB

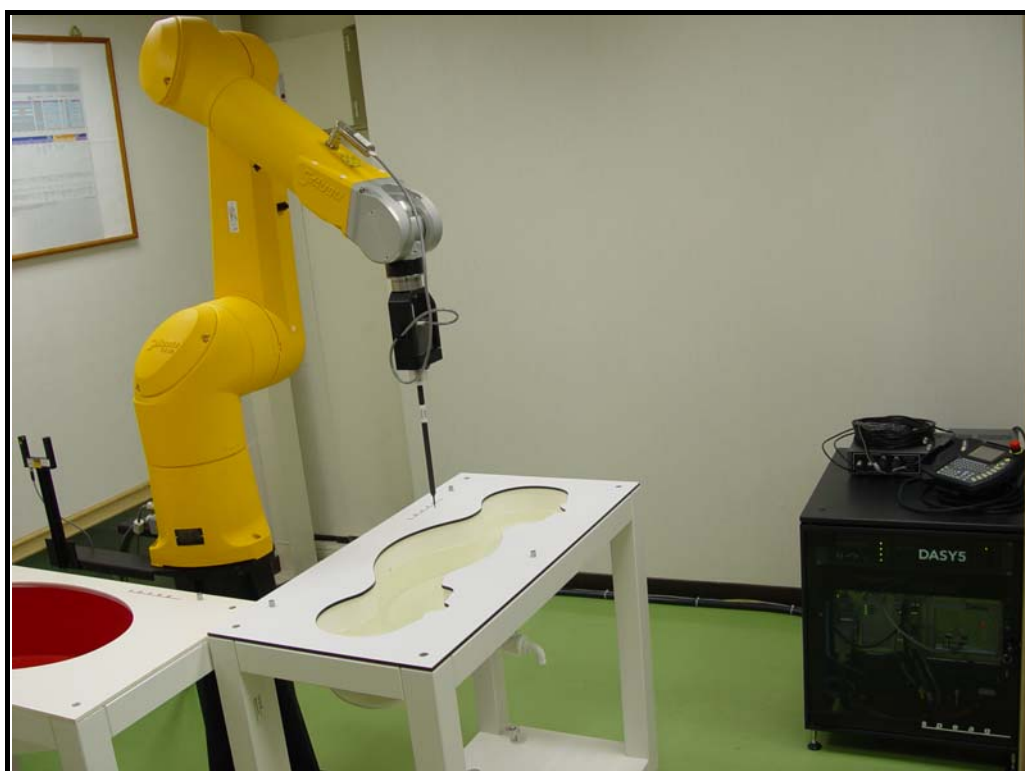
Peak SAR (extrapolated) = 27.6 W/kg

SAR(1 g) = 13.4 mW/g; SAR(10 g) = 6.09 mW/g

Maximum value of SAR (measured) = 17.7 mW/g



APPENDIX B: BV ADT SAR MEASUREMENT SYSTEM



APPENDIX C: PHOTOGRAPHS OF SYSTEM VALIDATION

