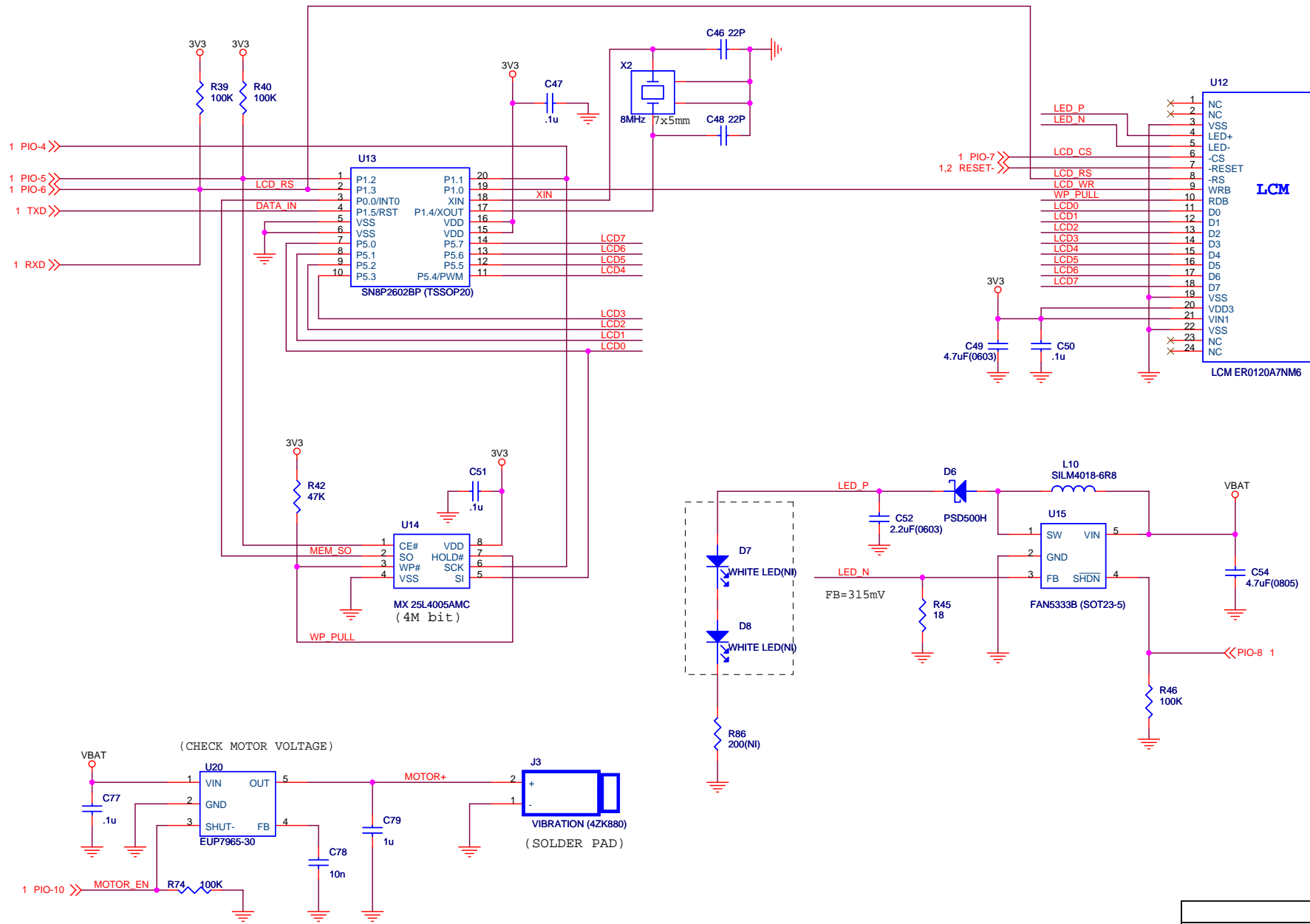
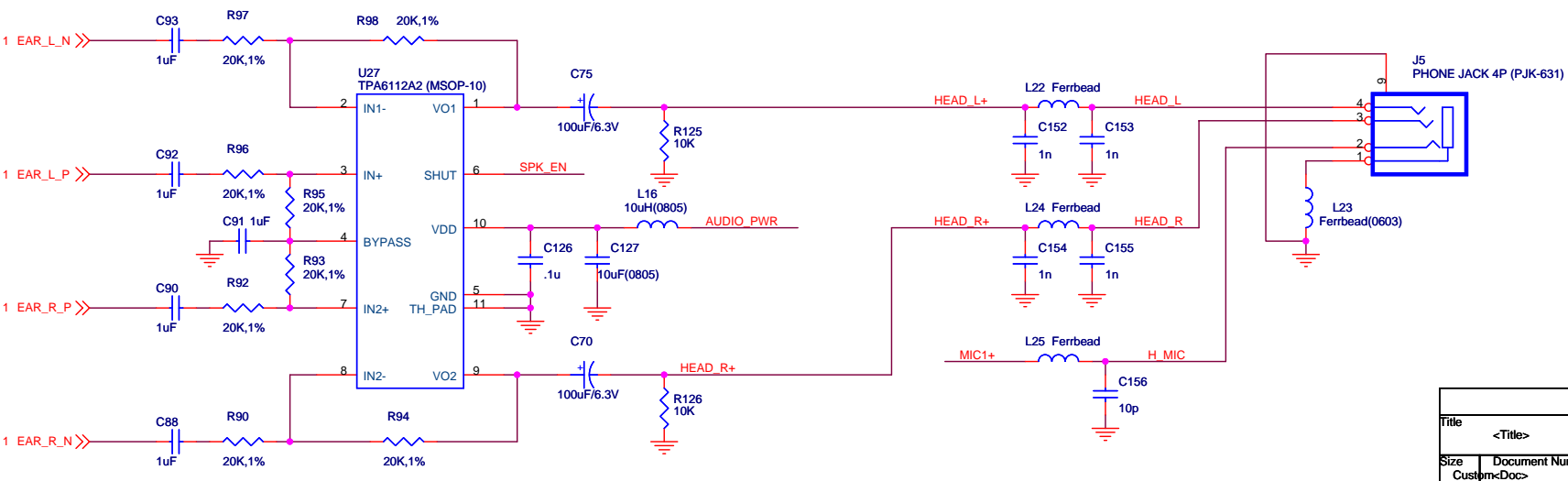
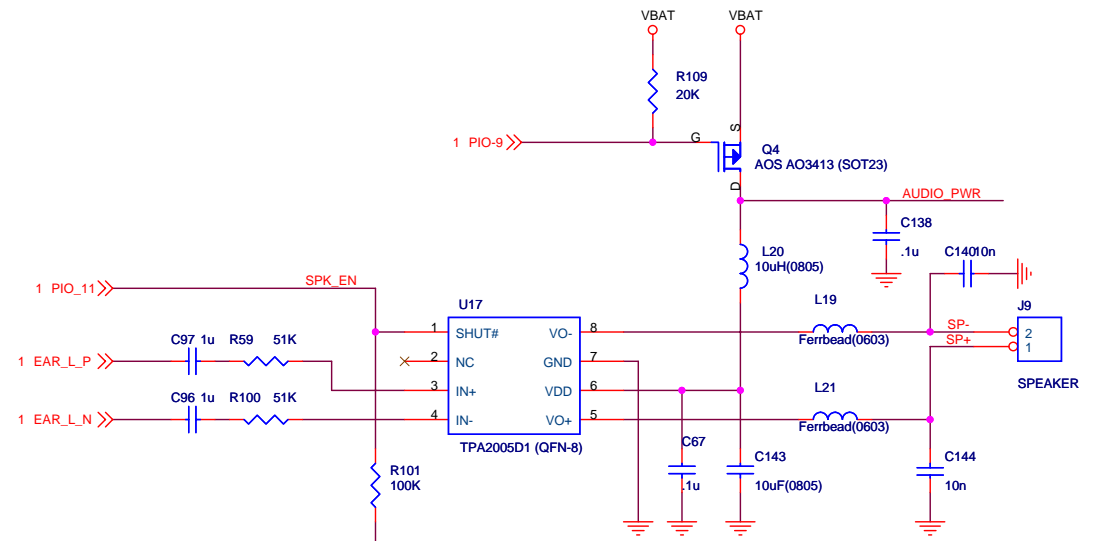
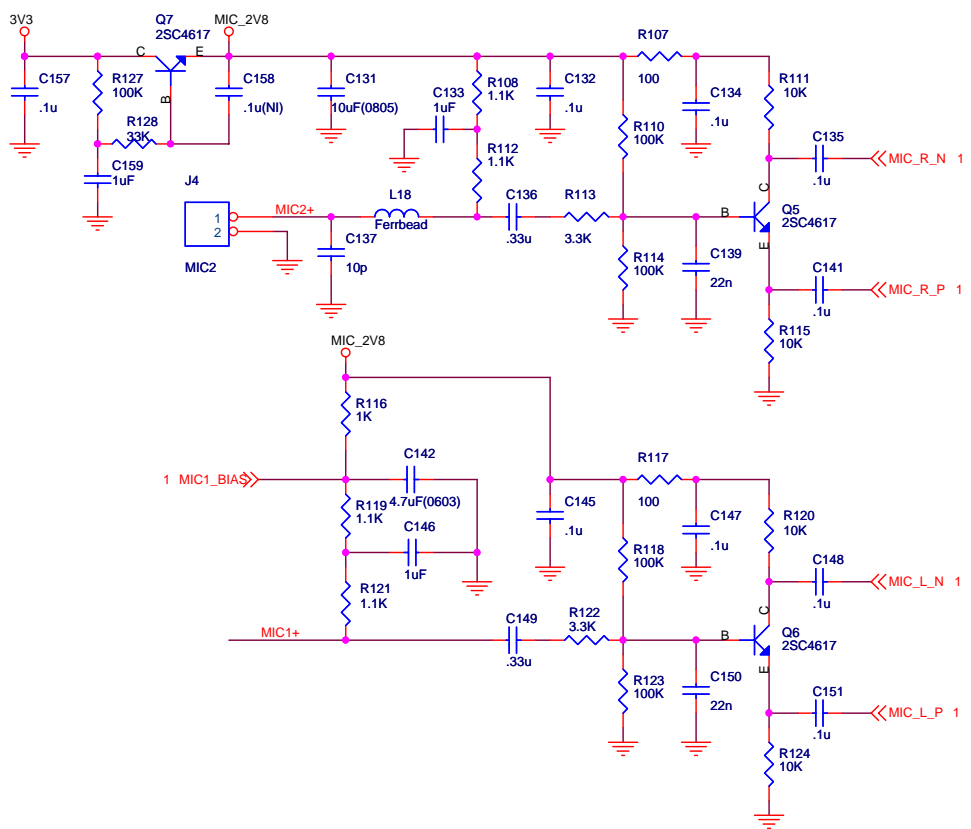


Title		
<Title>		
Size	Document Number	Rev
B	<Doc>	A
Date:	Friday, June 15, 2007	Sheet 2 of 4



Title		<Title>
Size	Document Number	Rev
B	<Doc>	<RevCode>
Date:	Friday, June 15, 2007	Sheet 3 of 4



Title		<Title>
Size	Document Number	Rev
Custom<Doc>		<RevCode>
Date:	Friday, June 15, 2007	Sheet 4 of 4