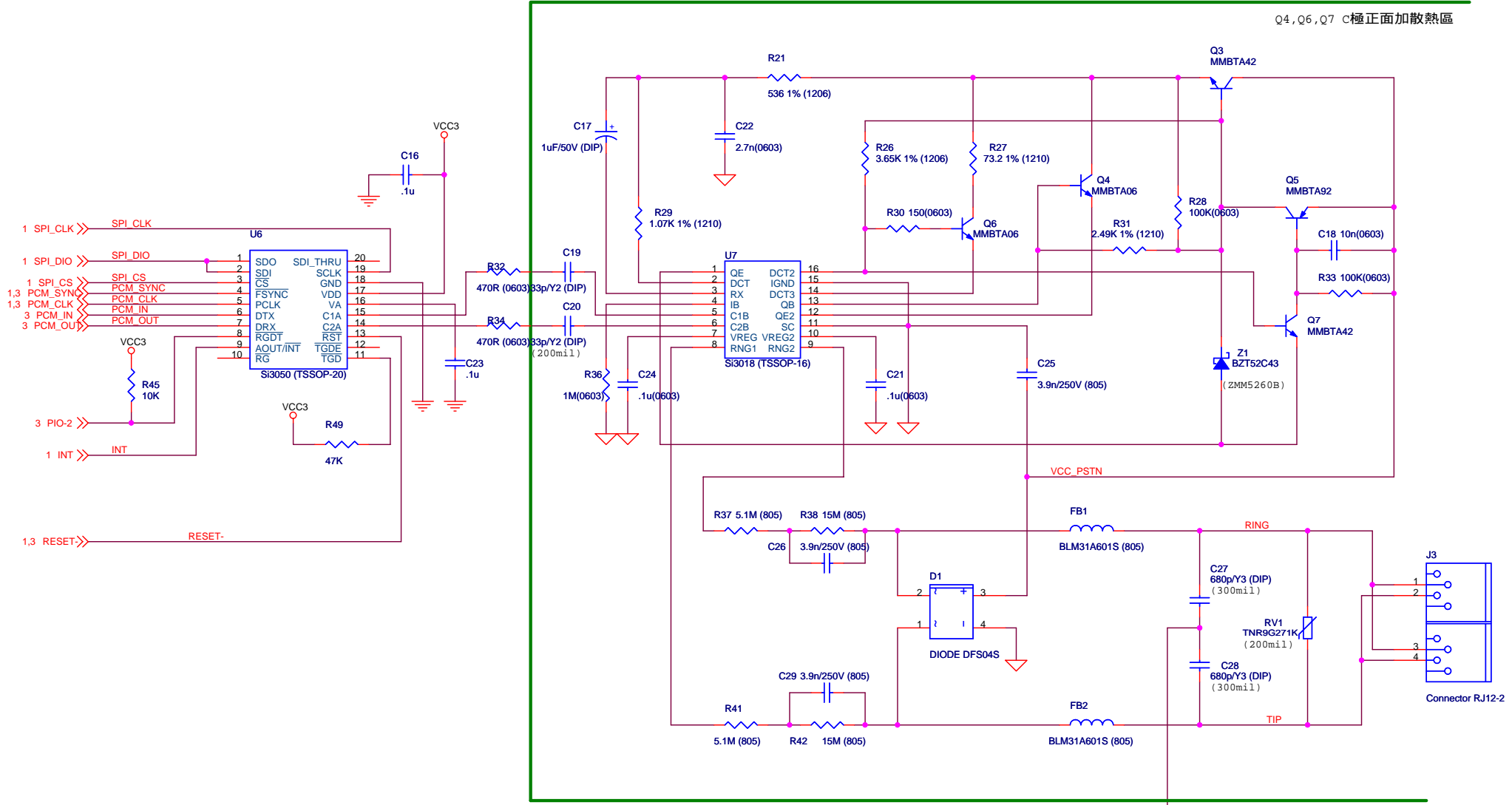


BV002 (PSTN&RF) COMBO BOARD		
DATE: 2007.06.14		
SHEET: BV002-E.DSN		
Title	<Title>	
Size	Document Number	Rev
B	<Doc>	<RevCode>
Date:	Tuesday, July 10, 2007	Sheet 1 of 3



Title		
Voice DAA Si3050/Si3019		
Size	Document Number	Rev
B	<Doc>	0.5
Date:	Tuesday, July 10, 2007	Sheet 2 of 3

