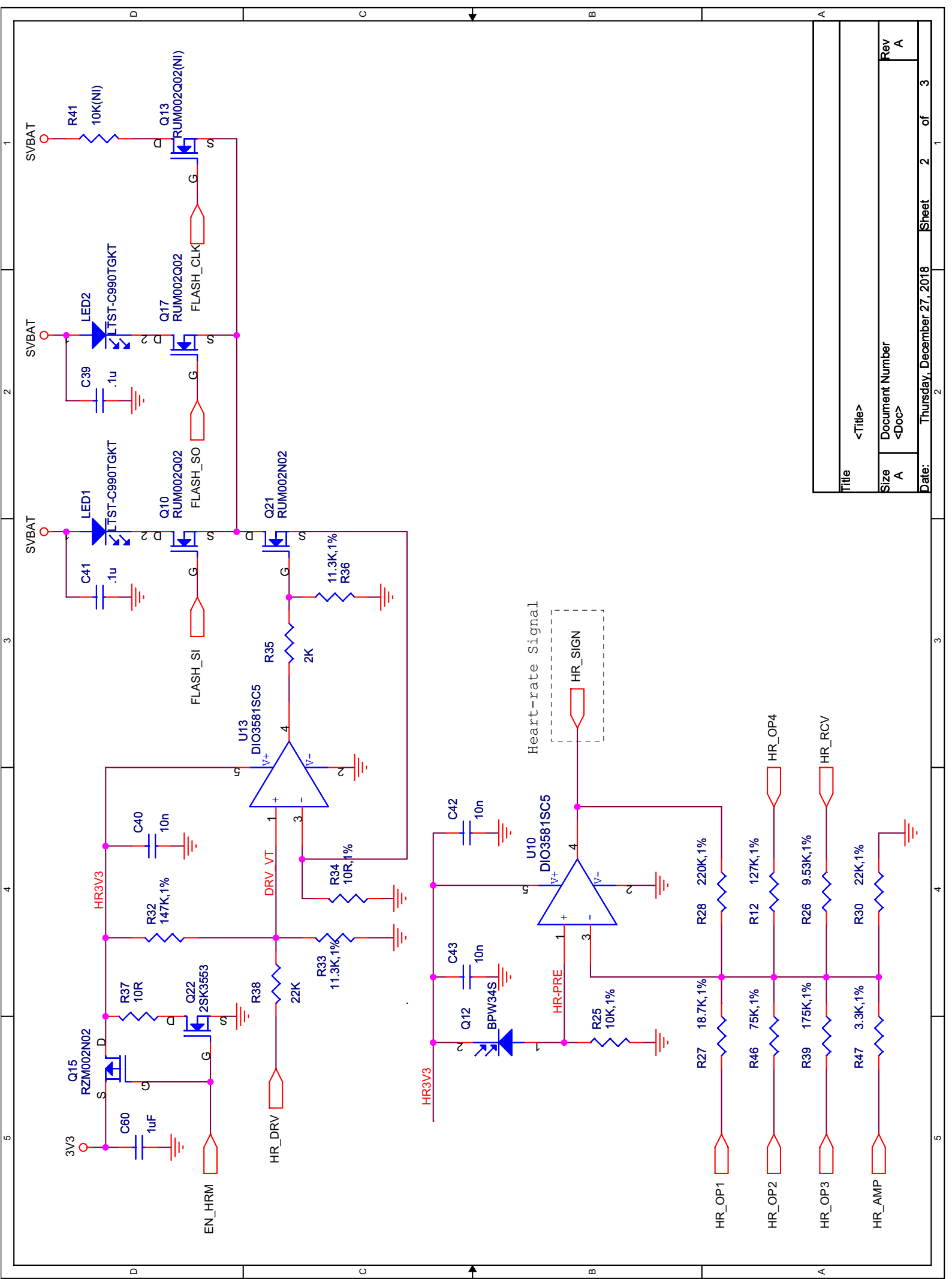
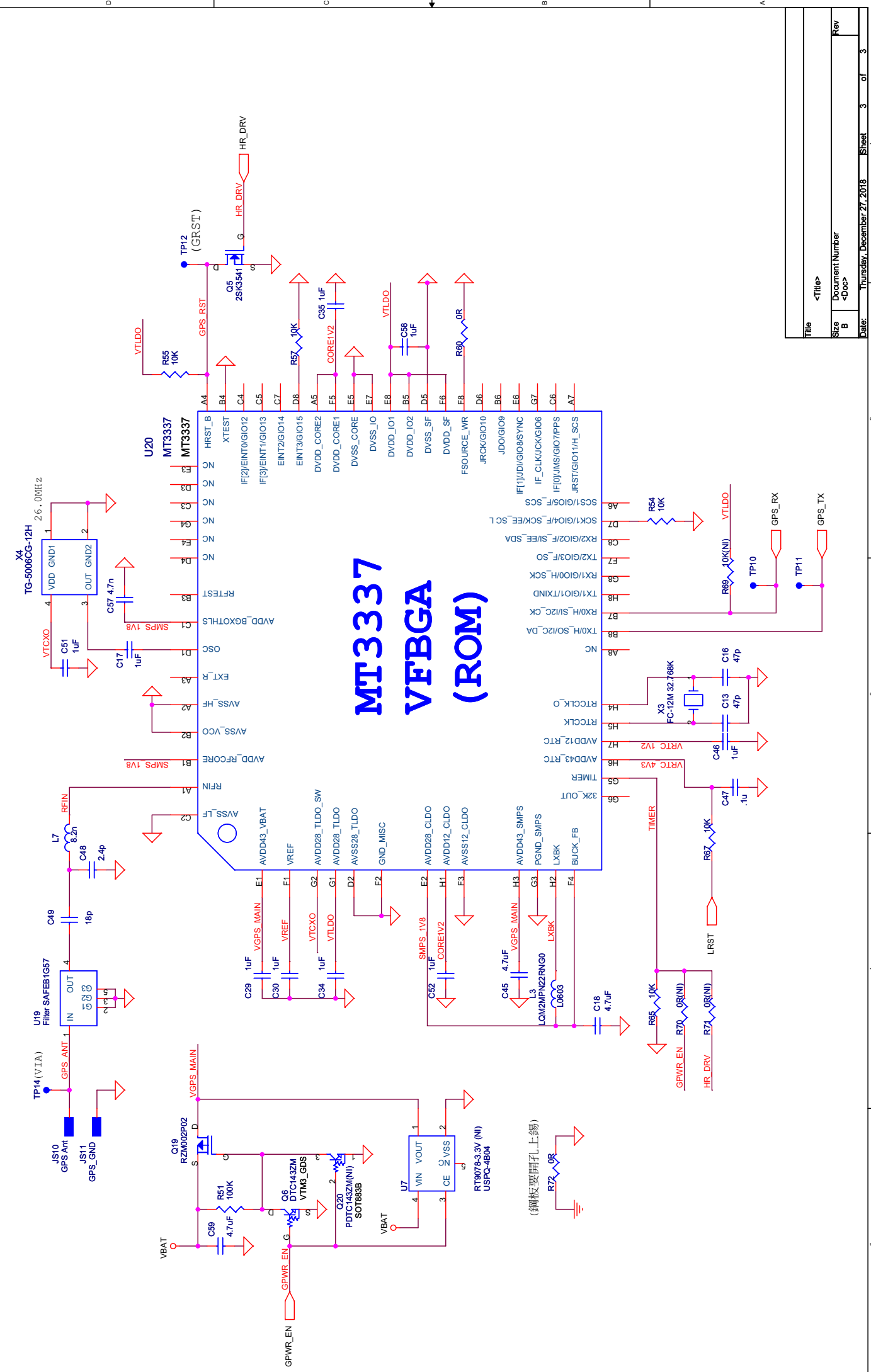


Title	Q-90 TFT color i-GoU Band	
Size	Document Number	
Date:	Thursday, December 27, 2018	Sheet 1 of 3
Rev	1.0	

Q90_ORCAD-FCC



Title		<Title>	
Size	A	Document Number	<Doc>
Date:	Thursday, December 27, 2018	Sheet	2 of 3
Rev	A		



Title	<Title>
Size	Document Number
B	<Doc>
Date:	Thursday, December 27, 2018
Sheet	3 of 3
Rev	

(銅板要開孔上錫)