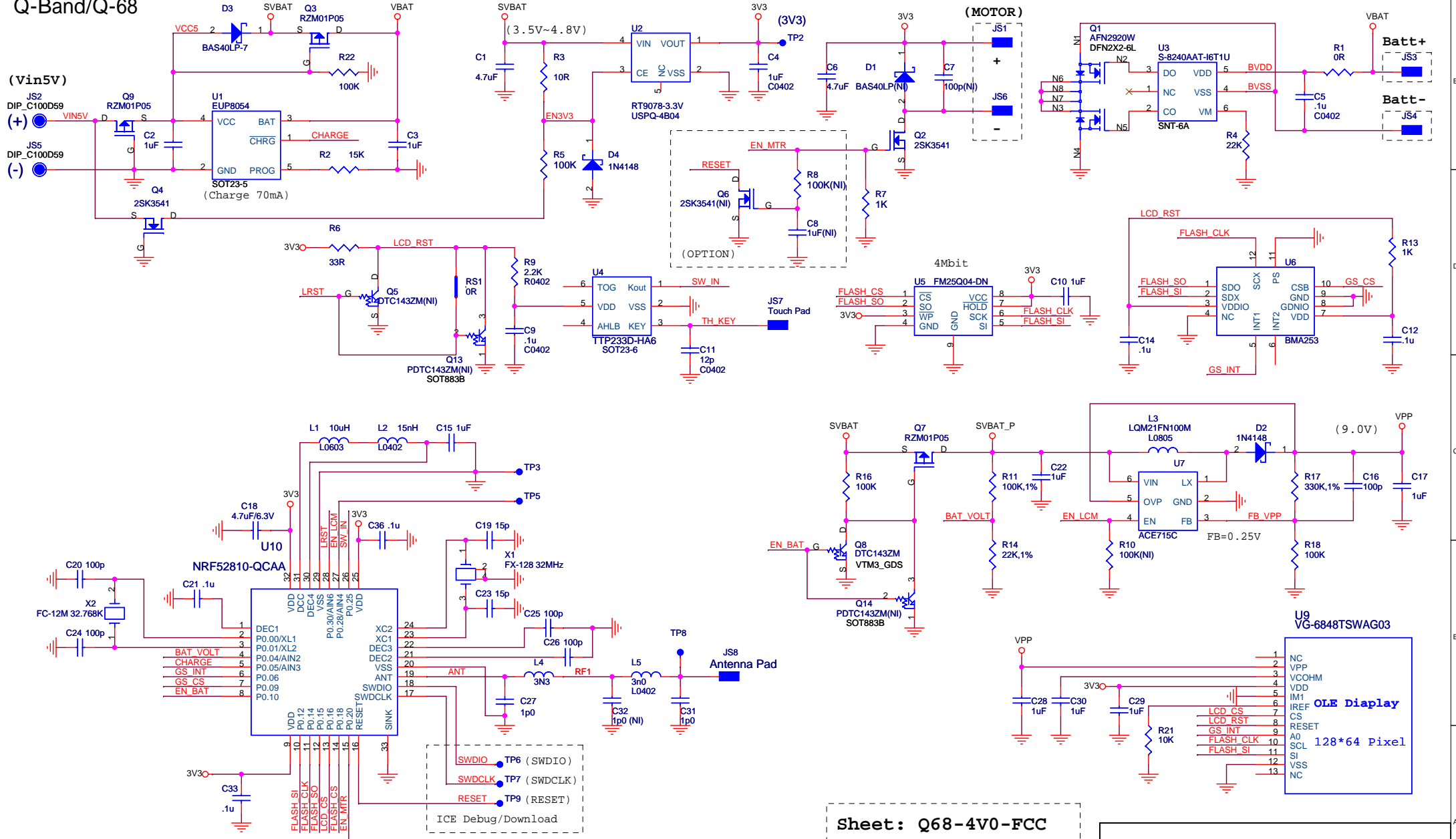


Q-Band/Q-68



Sheet: Q68-4V0-FCC
 Date: 2017.12.12
 Mobileaction Heart-rate

Title		i-GotU Band	
Size	Document Number	Rev	1.0
Date:	Wednesday, January 24, 2018	Sheet	1 of 2