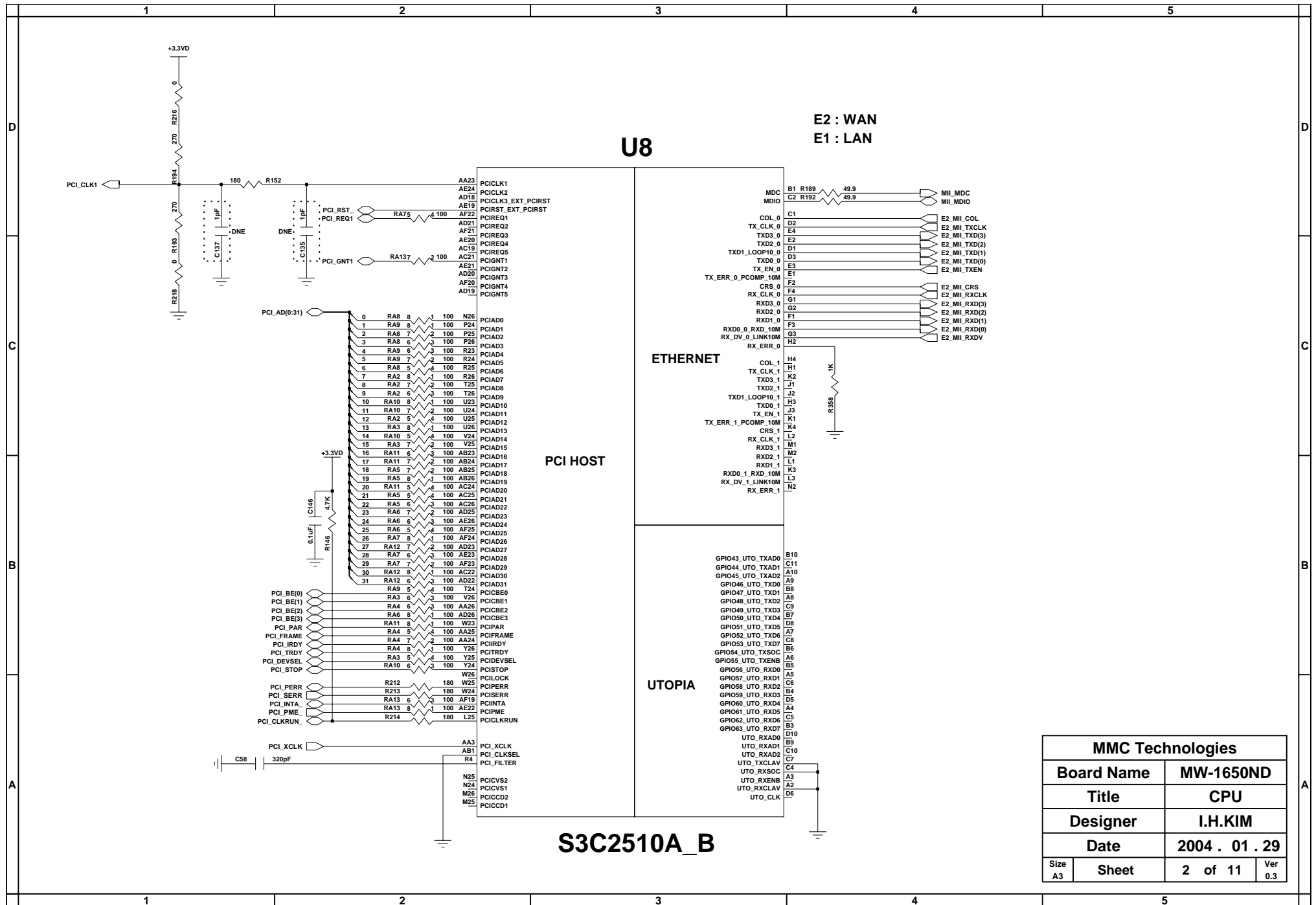
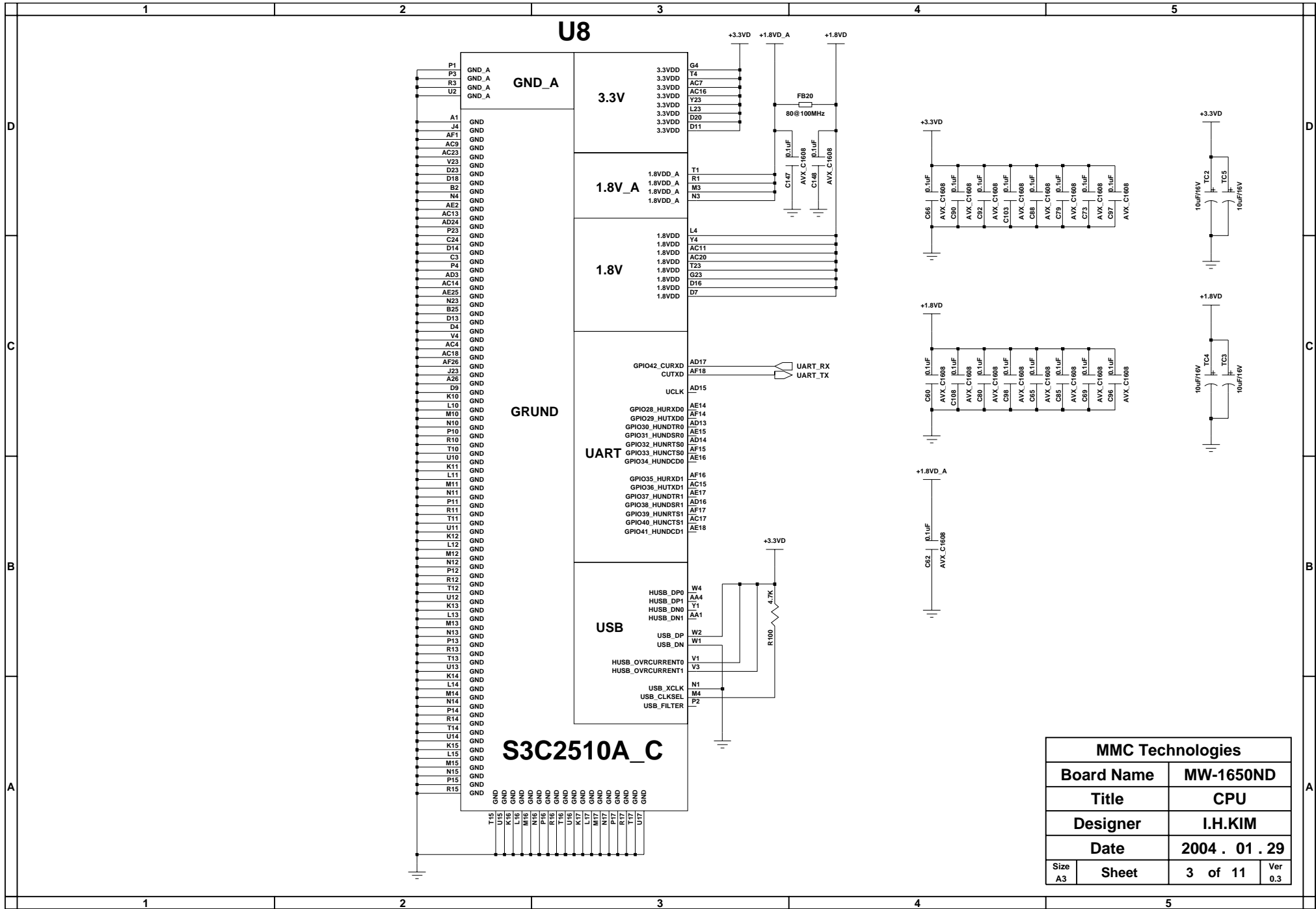
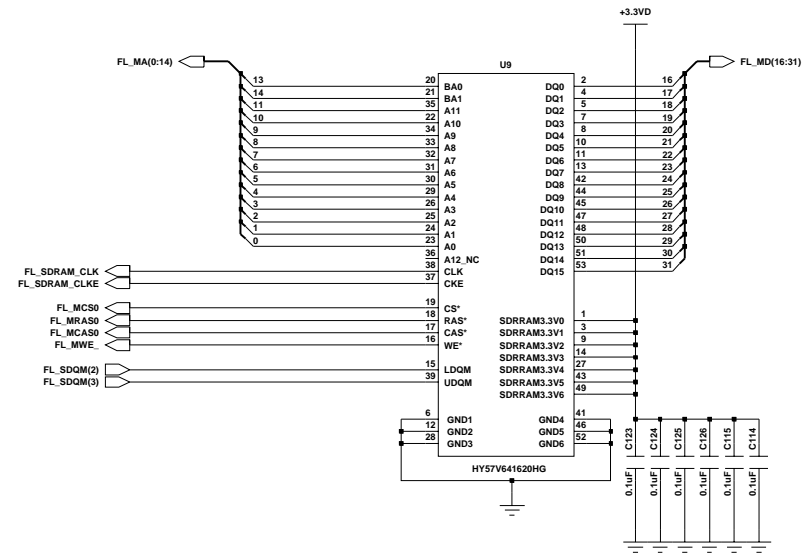
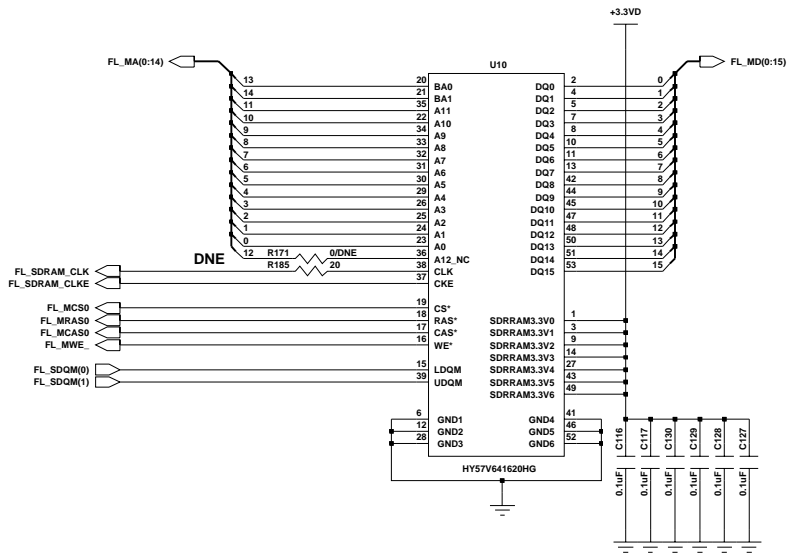


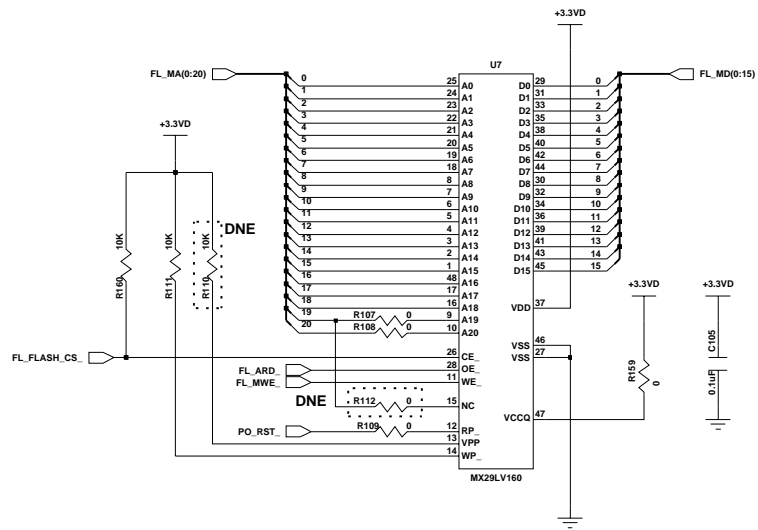
MMC Technologies		
Board Name	MW-1650ND	
Title	CPU	
Designer	I.H.KIM	
Date	2004 . 01 . 29	
Size	Sheet	1 of 11
A3		Ver 0.3





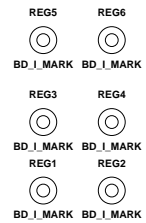
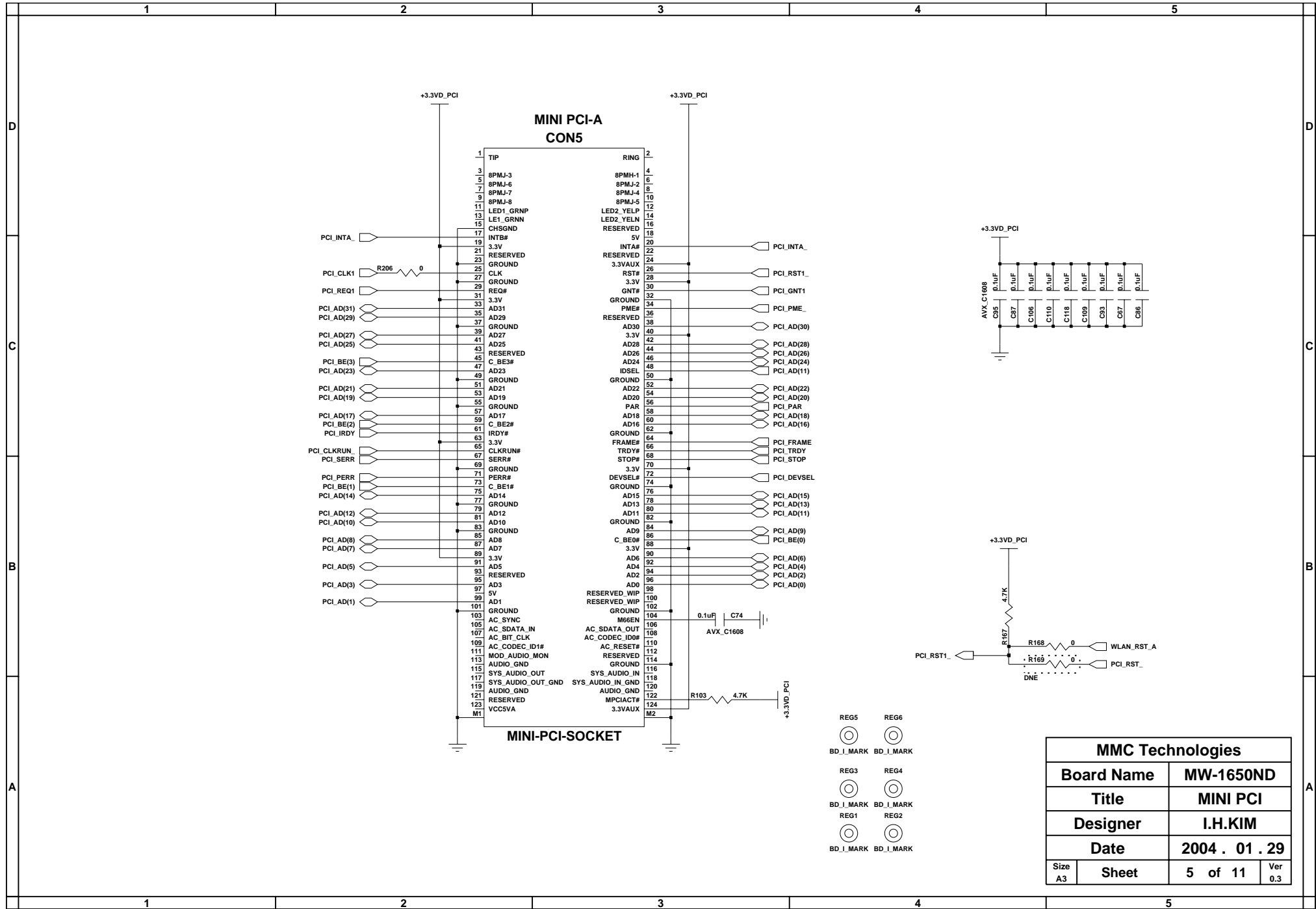


SDRAM

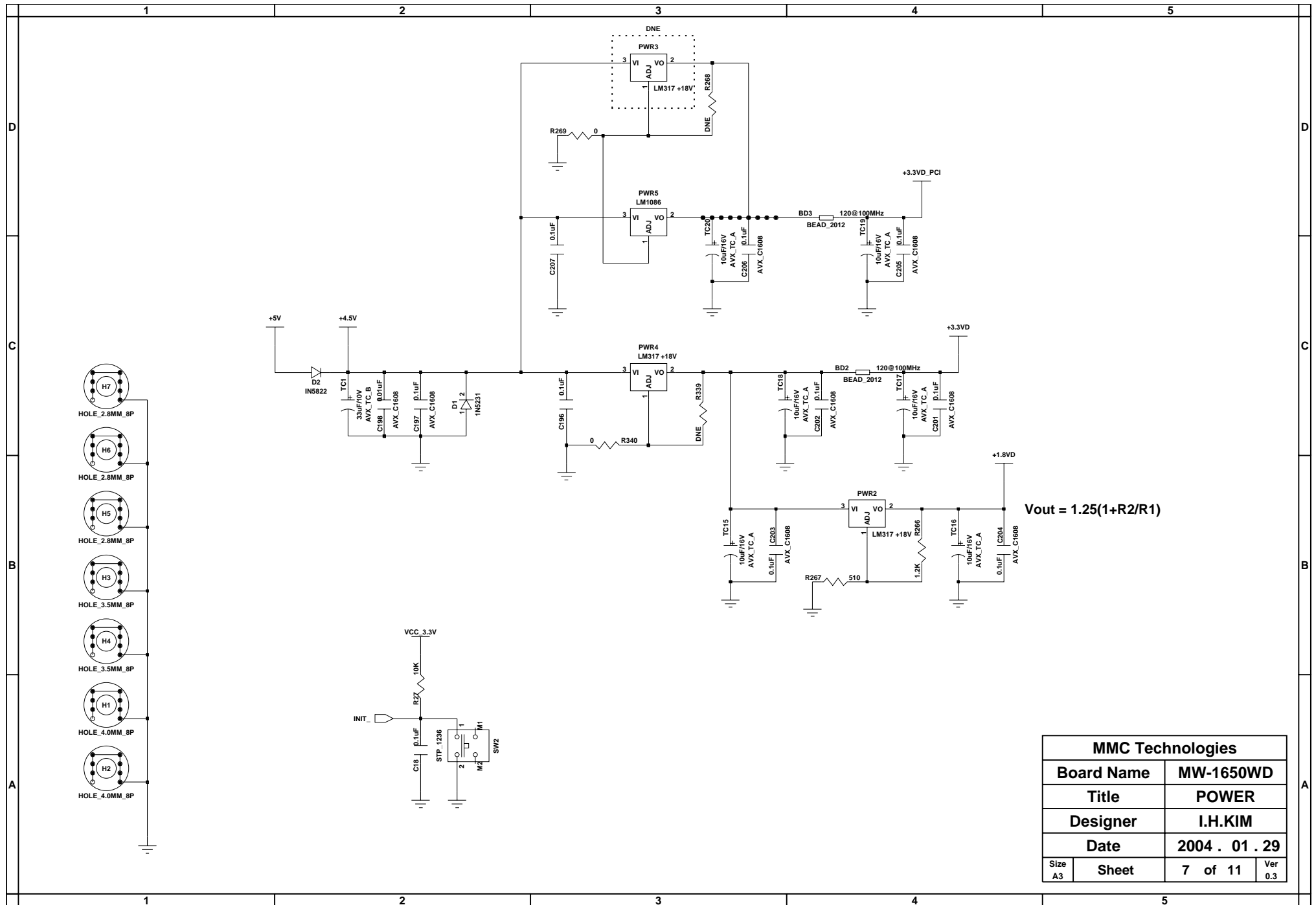


FLASH MEMORY

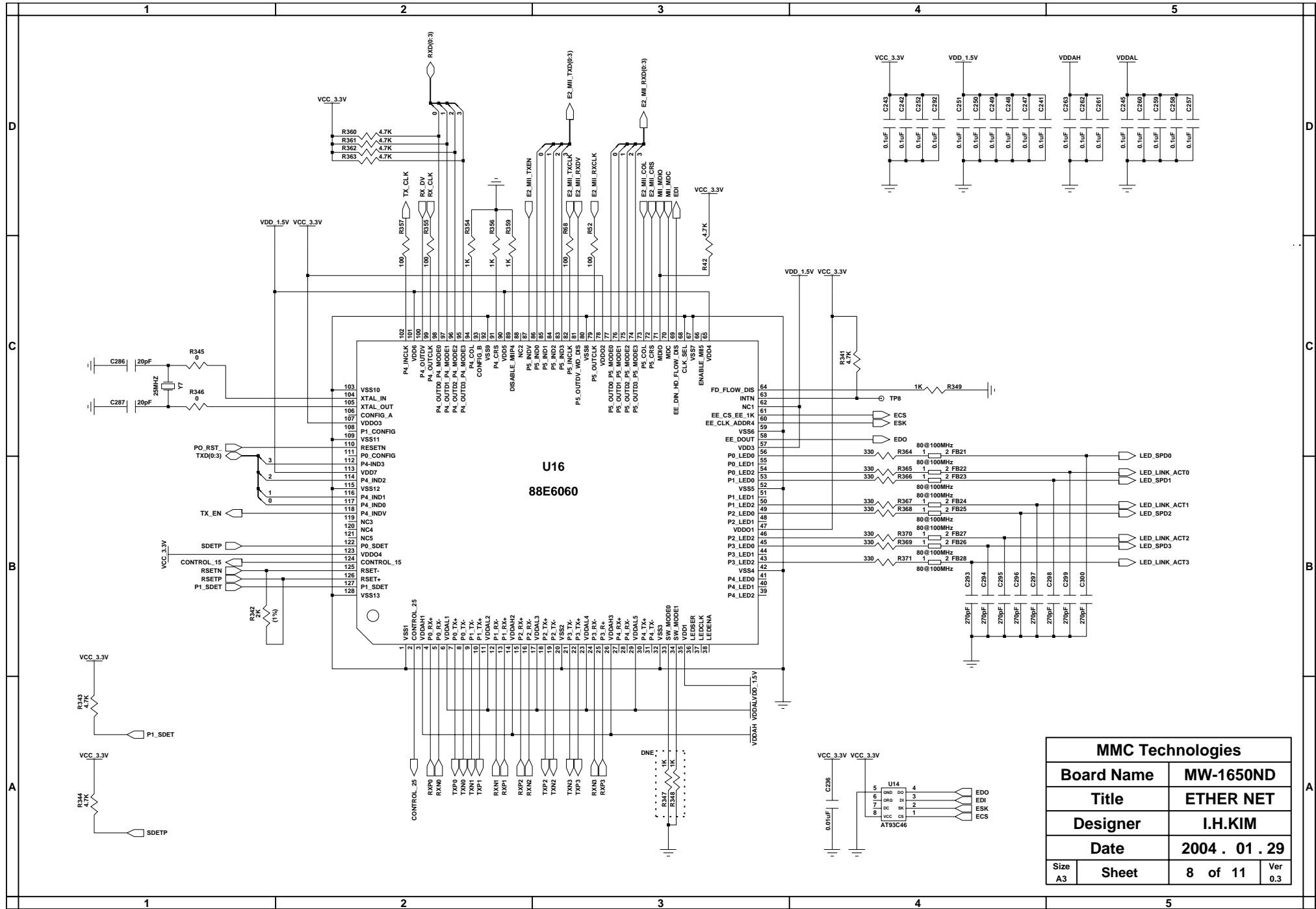
MMC Technologies		
Board Name	MW-1650ND	
Title	MEMORY	
Designer	I.H.KIM	
Date	2004 . 01 . 29	
Size	Sheet	4 of 11
A3		Ver 0.3



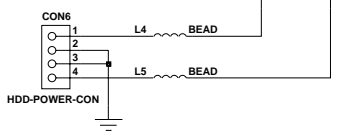
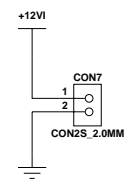
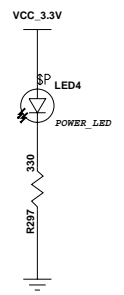
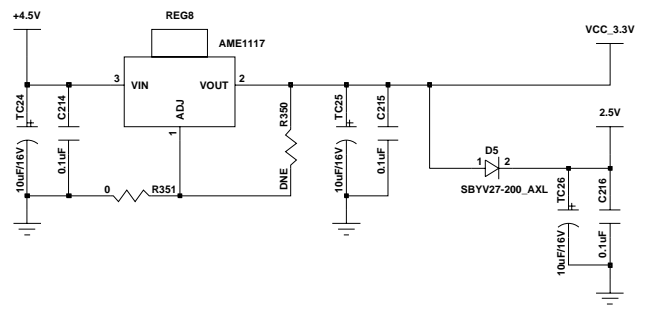
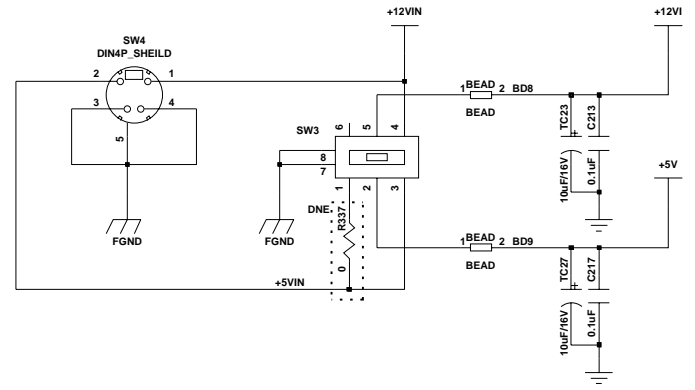
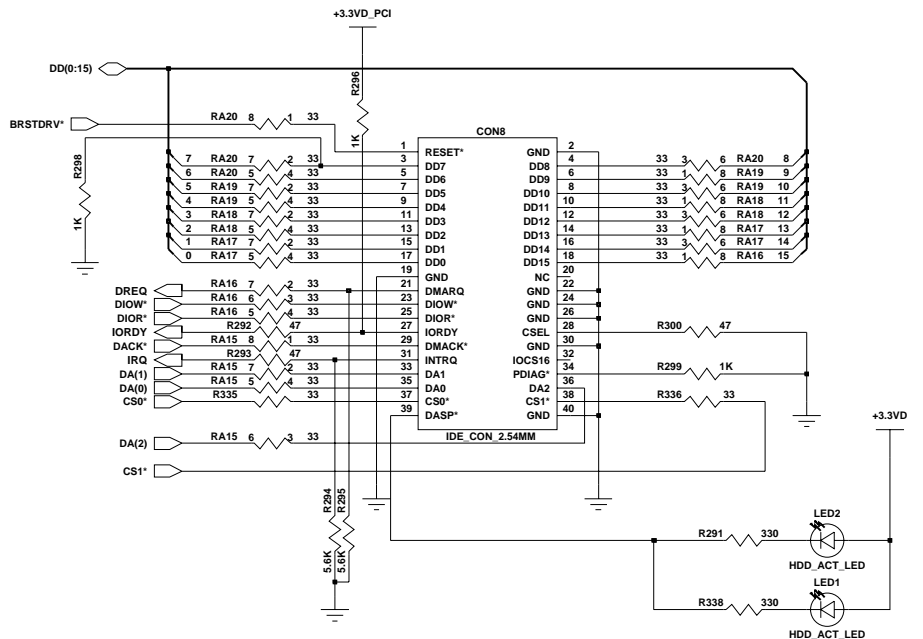
MMC Technologies	
Board Name	MW-1650ND
Title	MINI PCI
Designer	I.H.KIM
Date	2004 . 01 . 29
Size	Sheet
A3	5 of 11
	Ver 0.3



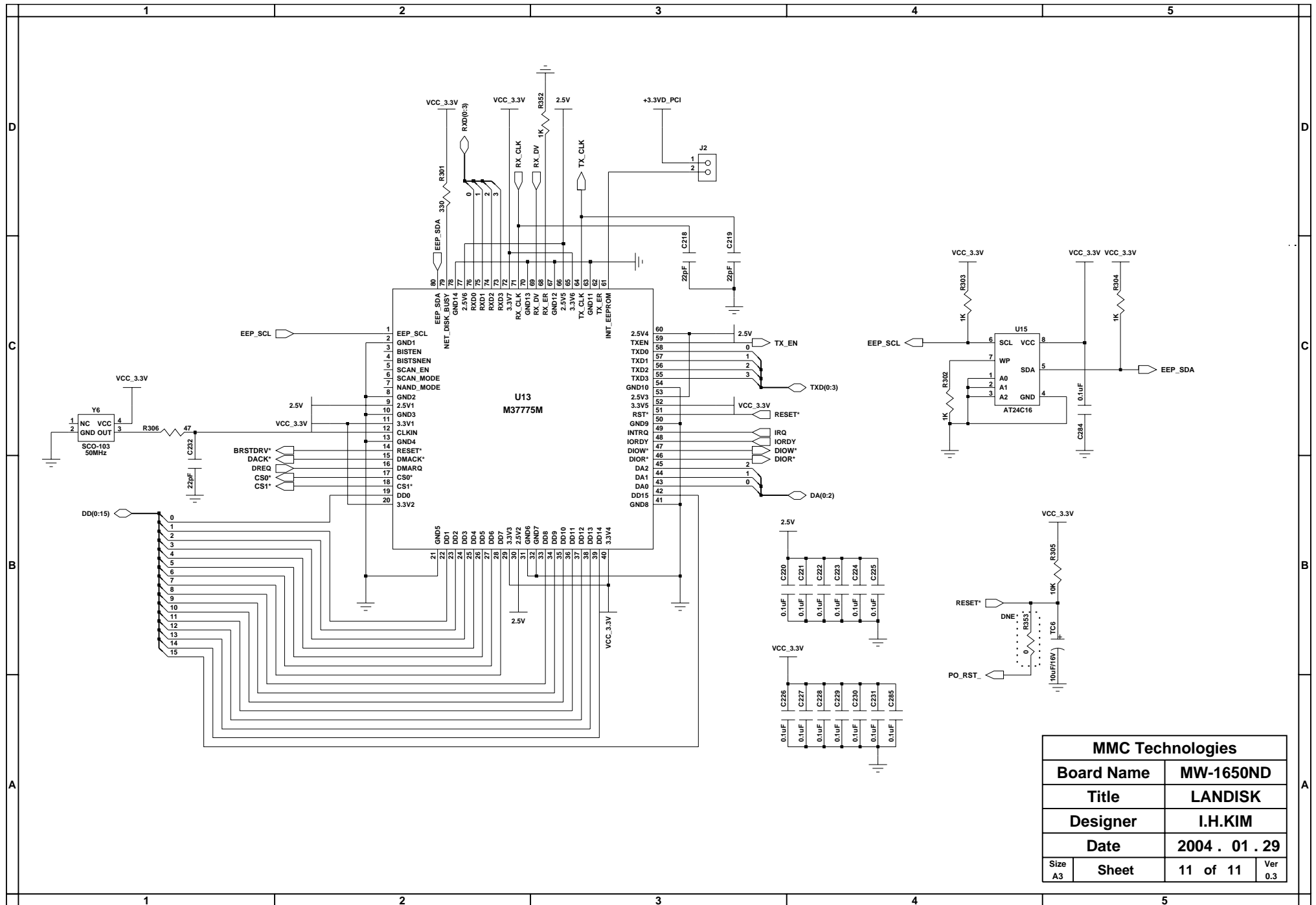
MMC Technologies		
Board Name	MW-1650WD	
Title	POWER	
Designer	I.H.KIM	
Date	2004 . 01 . 29	
Size A3	Sheet	7 of 11 Ver 0.3



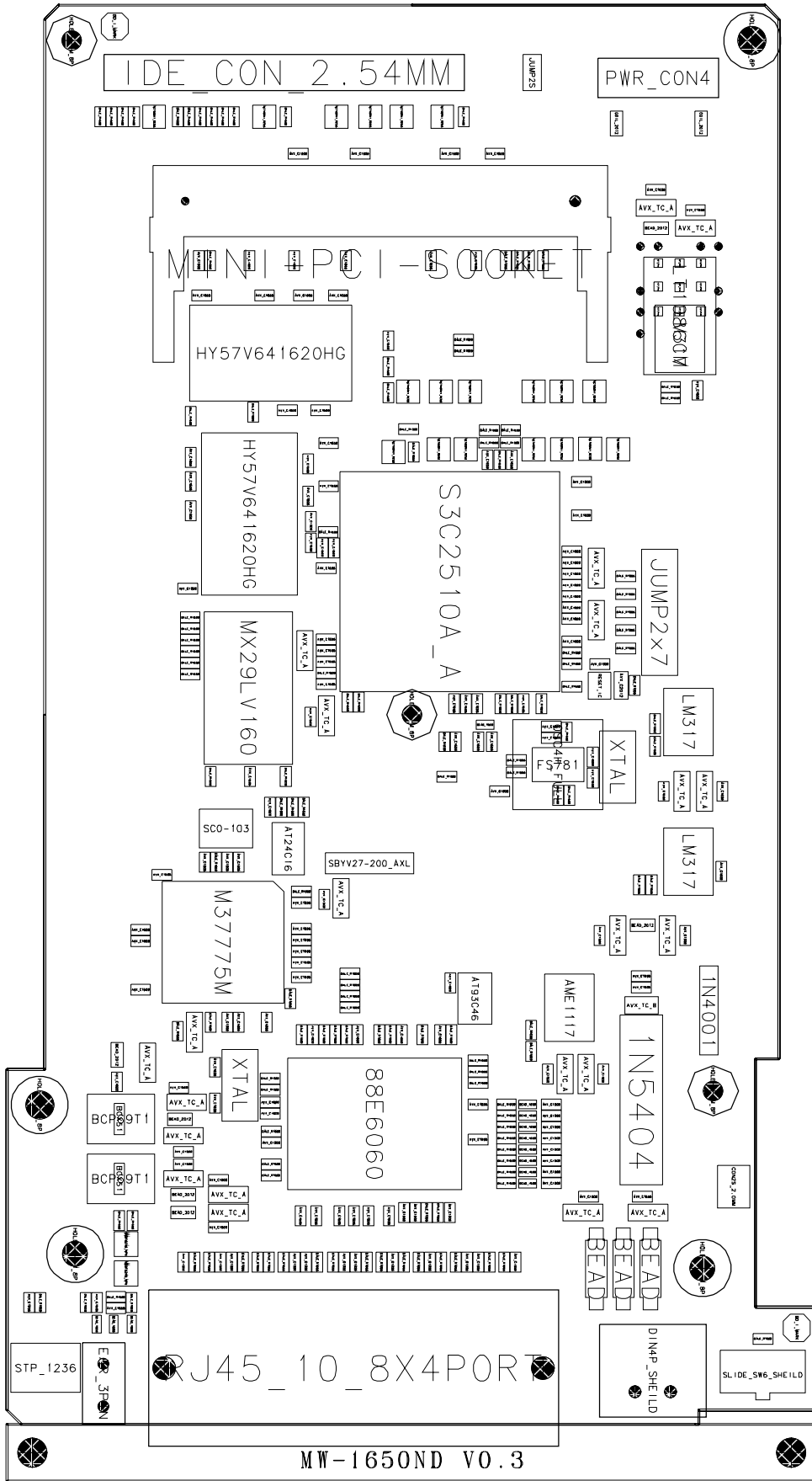
MMC Technologies		
Board Name	MW-1650ND	
Title	ETHER NET	
Designer	I.H.KIM	
Date	2004 . 01 . 29	
Size	Sheet	8 of 11
A3		Ver 0.3

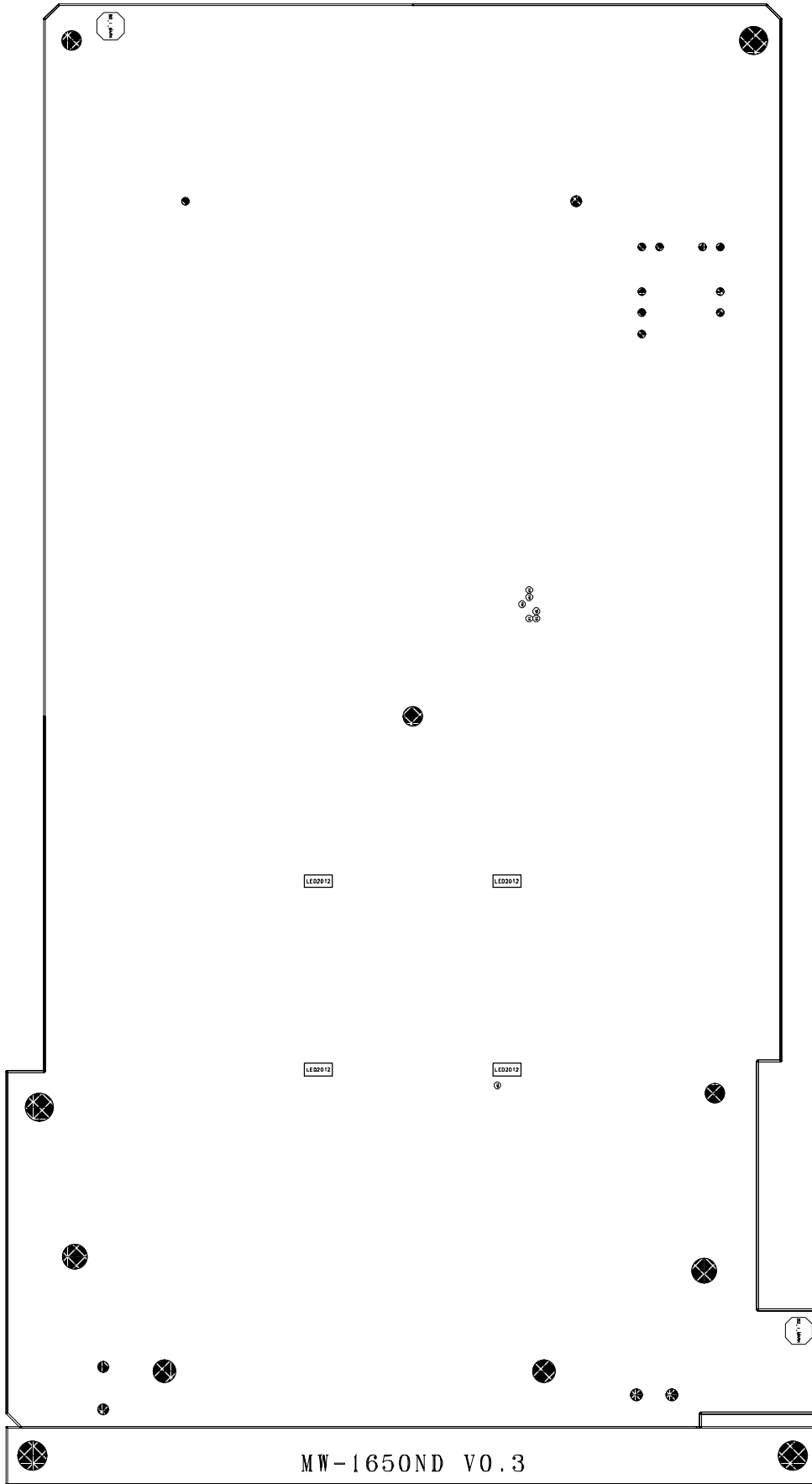


MMC Technologies		
Board Name	MW-1650ND	
Title	IDE INTERFACE	
Designer	I.H.KIM	
Date	2004 . 01 . 29	
Size A3	Sheet	10 of 11 Ver 0.3

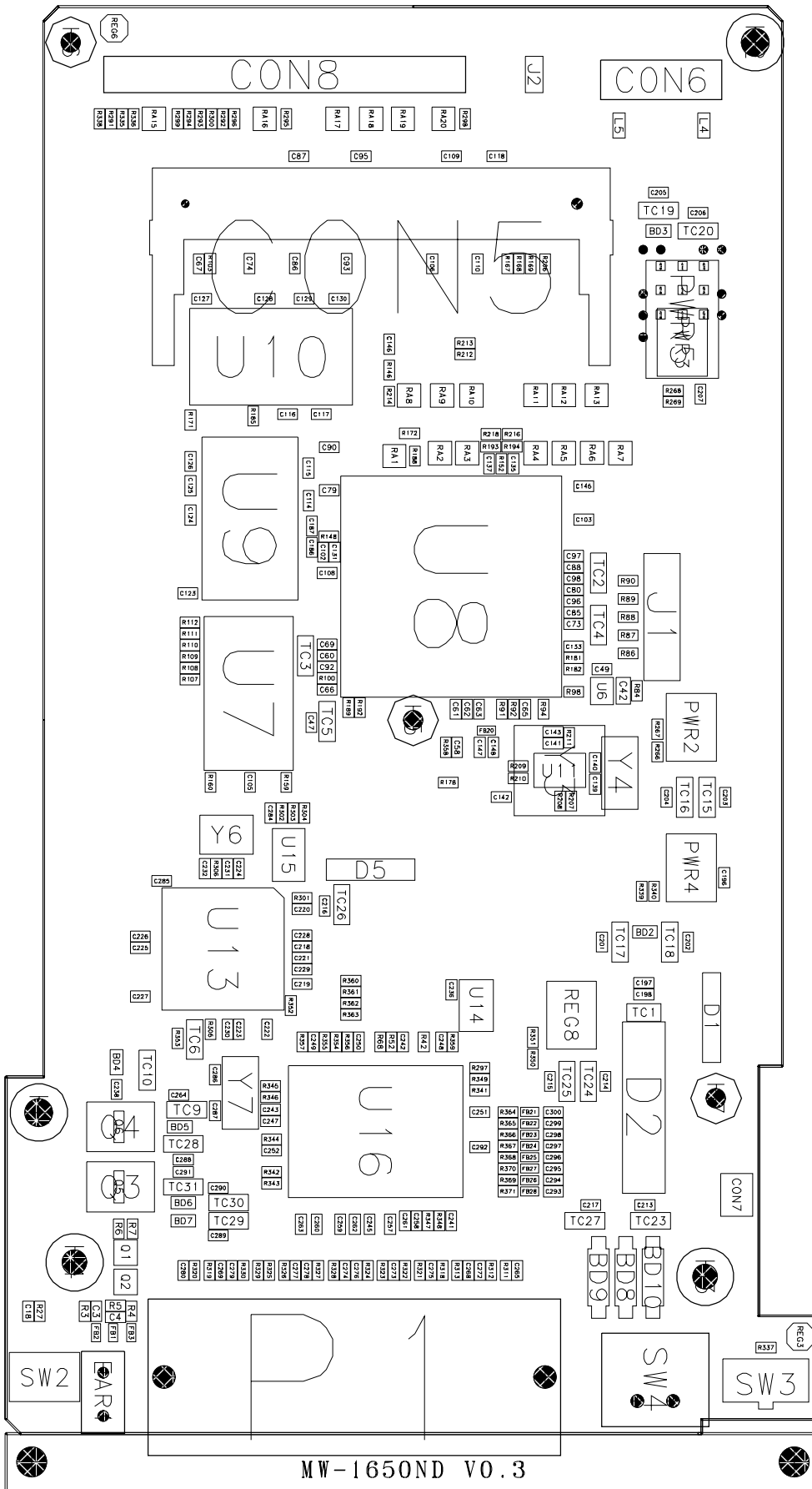


MMC Technologies		
Board Name	MW-1650ND	
Title	LANDISK	
Designer	I.H.KIM	
Date	2004 . 01 . 29	
Size	Sheet	11 of 11
A3		Ver 0.3





MW-1650ND V0.3



MW-1650ND V0.3

