

NOW-WL Hardware Description

- **Product Name** : Netdisk Wireless Office
- **Model Name** : NOW-WL
- **Block Diagram**

Major internal component blocks and external interfaces of the NOW-WL are illustrated in Fig 1.

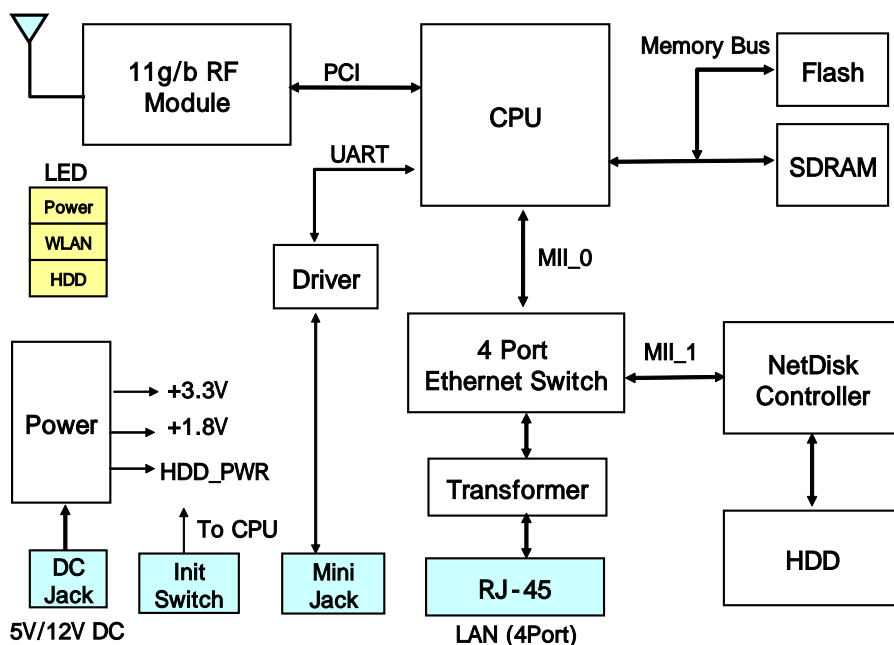


Fig 1 NOW-WL Major Block and System Interface

- **External Interface Descriptions**

- External ports descriptions

Reference	Function	Type	Remarks
DC Jack	DC Input	4 Pin Jack	12V, 5V and Ground
Power Switch	Power On/Off	Slide	
Mini Jack	System Debugging	4 Pin Mini-jack	Not supply to user
Ethernet	4 ports Switch	RJ45	
Init Switch	System Initialization	Tact Switch (Right Angle)	Connect to GPIO(CPU)

- LED functions

Name	Function	Color	Remarks
WLAN	Wireless LAN 11g/b	Green	Light-on at Link or blink at Activity
HDD x 2	Hard Disk	Green	Blink at Activity
POWER	System Power	Red	Light-on at power on

● **Major Chipset Information**

CPU : The Samsung SC2510A 32-bit RISC Microprocessor.

SDRAM : 32 Mbyte.

Flash : 4 Mbyte.

Hard Disk (HDD) : 3.5 inch, 7200rpm

RF Module : Mini PCI Type III, Compatible for IEEE802.11g/b.

Ethernet Switch : Marvell 88E6060 4 ports switch.

Netdisk Controller : ASIC by Ximeta for HDD access and control.

● **Internal Interface Descriptions**

NOW-WL supports IEEE802.11g/b wireless LAN, 4 ports Ethernet switch and network Hard Disk functions. We can access Hard disk which is included in the NOW-WL via wireless LAN or Ethernet switch.

AP power source is DC adaptor which supplies DC 12V and 5V. And internal regulators supply to system required power from those.

An interface for Netdisk controller and HDD is standard IDE. The Ethernet switch to the CPU is connected with a MII interface and connection to the Netdisk controller is same as. RF Module is plugged in mini PCI type socket on board.

● **System Environment**

NOW-WL is the external HDD that can be connected to Desktop or Notebook PC via 100BaseT Ethernet or IEEE 802.11g/b Wireless LAN.

It is working as an another local HDD. (It doesn't need IP Address.)

An environment for the NOW-WL is illustrated in Fig 2.

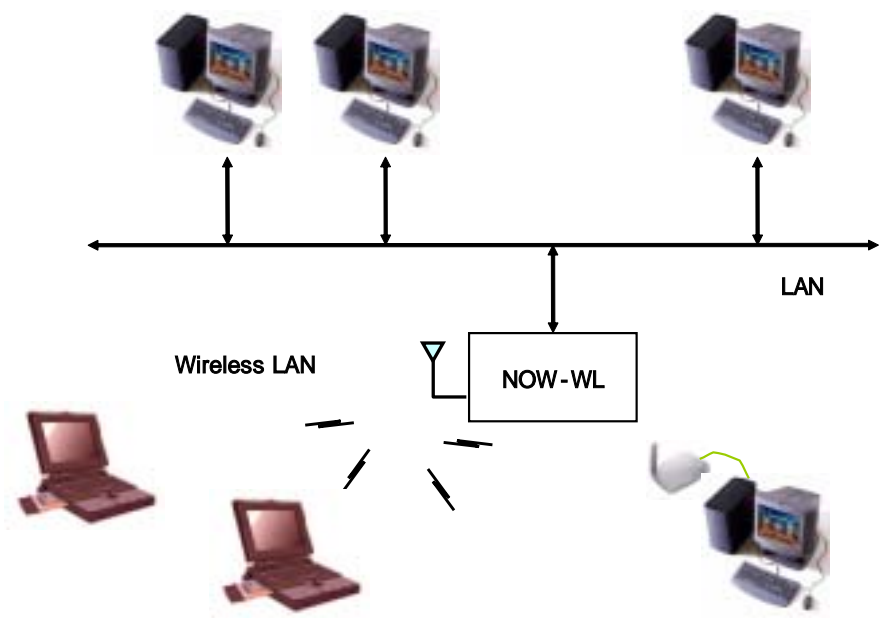


Fig 2. Network Environment for NOW-WL