

Angeei

DATA SHEET

Innovation

Expert

Smart

Customer Name: ZTE

Product Model: E1320

Customer P/N:

Specifications: 2.4G 外置单频天线, 5dBi, 1.37 灰色双锡线,
L=190mm

Angeei P/N: DP2450AX01-190G17U7S

Date Prepared: 2021.7.2

Revision: A0

NO.28,Jinxing Rd,
Jinfeng Town,Zhangjiagang City,Jiangsu,China
Tel:+86-512-56990960
Fax:+86-512-56990970
Email: Sales@Angeei.com

Contents

1. Product Description.....	1
2. Features.....	1
3. Overall Performance.....	2
4. Product Characteristics.....	3
4.1 VSWR.....	3
4.2 Radiation Pattern.....	4
5. Product Drawing.....	5
6. ROHS.....	5
7. Cable Data Sheet.....	6

Version Information

Version	Date	Author	Note
A0	July 2, 2021	Rebecca	Initial Draft

1. Product Description

Model DP2450AX01-190G17U7S product is designed with patented technology. DP2450AX01-190G17U7S is a single band antenna which has features of easy integration, can be directly connected to the product. The connector can be customized according to customer's request. This antenna was designed to accommodate most WLAN applications, such as access points, routers, and gateways.

2. Features

The Model DP2450AX01-190G17U7S Antenna is defined by following features:

- IEEE 802.11 b/g/n/ax standards
- 4.6dBi peak gain@2.412GHz, 4.7dBi peak gain@2.437GHz
4.8dBi peak gain@2.462GHz
- High Efficiency
- Quick Integration



Figure 1: Model DP2450AX01-190G17U7S Antenna

3. Overall Performance

CHARACTERISTICS	SPEC
Standard	IEEE 802.11 b/g/n/ax
Frequency Range	2.4-2.49GHz
Peak Gain	4.6dBi@2.412GHz 4.7dBi@2.437GHz 4.8dBi@2.462GHz
VSWR	<2
Efficiency	76.8%@2.412GHz 75.1%@2.437GHz 71.2%@2.462GHz
Power Handling	30 dBm
Feed Impedance	50 ohms
Antenna Dimensions	161.42*11.61mm
Interface	U.FL compatible connector
Operating Temperature	-30 ° C to +75 ° C
Humidity Range	5% to 95% non-condensing
RF Cable	RF1.37

4. Product Characteristics

Measuring the VSWR & radiation pattern of DP2450AX01-190G17U7S in a non-interference environment.

4.1 VSWR



Figure 2: Model DP2450AX01-190G17U7S VSWR

4.2 Radiation Pattern

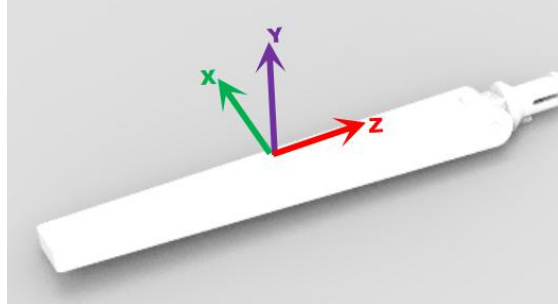


Figure 3: Model DP2450AX01-190G17U7S Measurement Axes

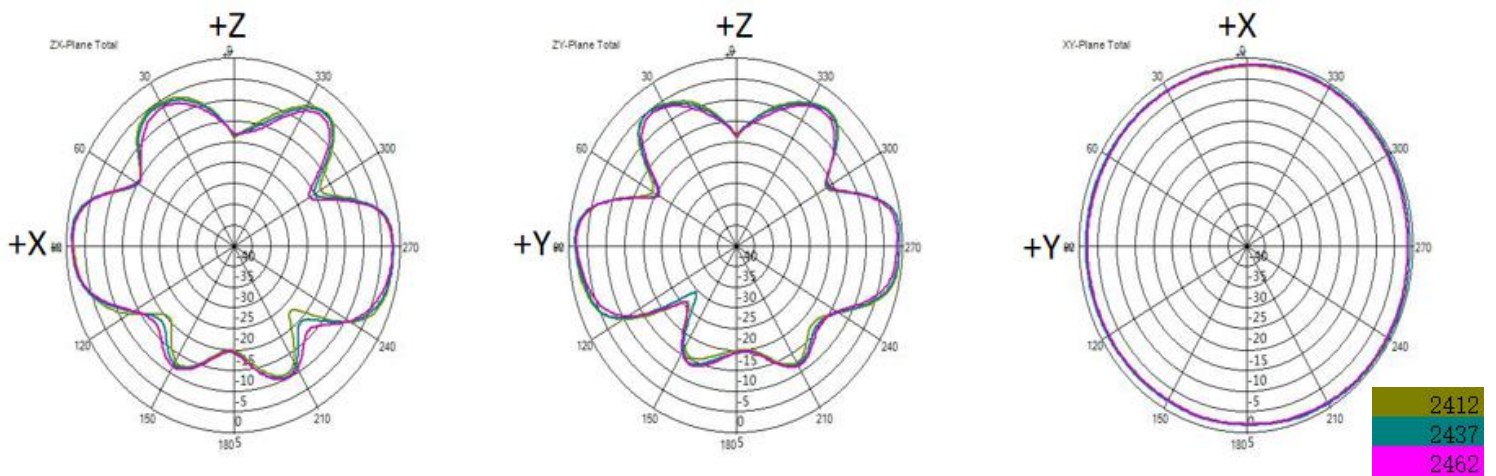


Figure 4: Model DP2450AX01-190G17U7S Radiation Patterns in 2.4 -2.49 GHz

5. Product Drawing

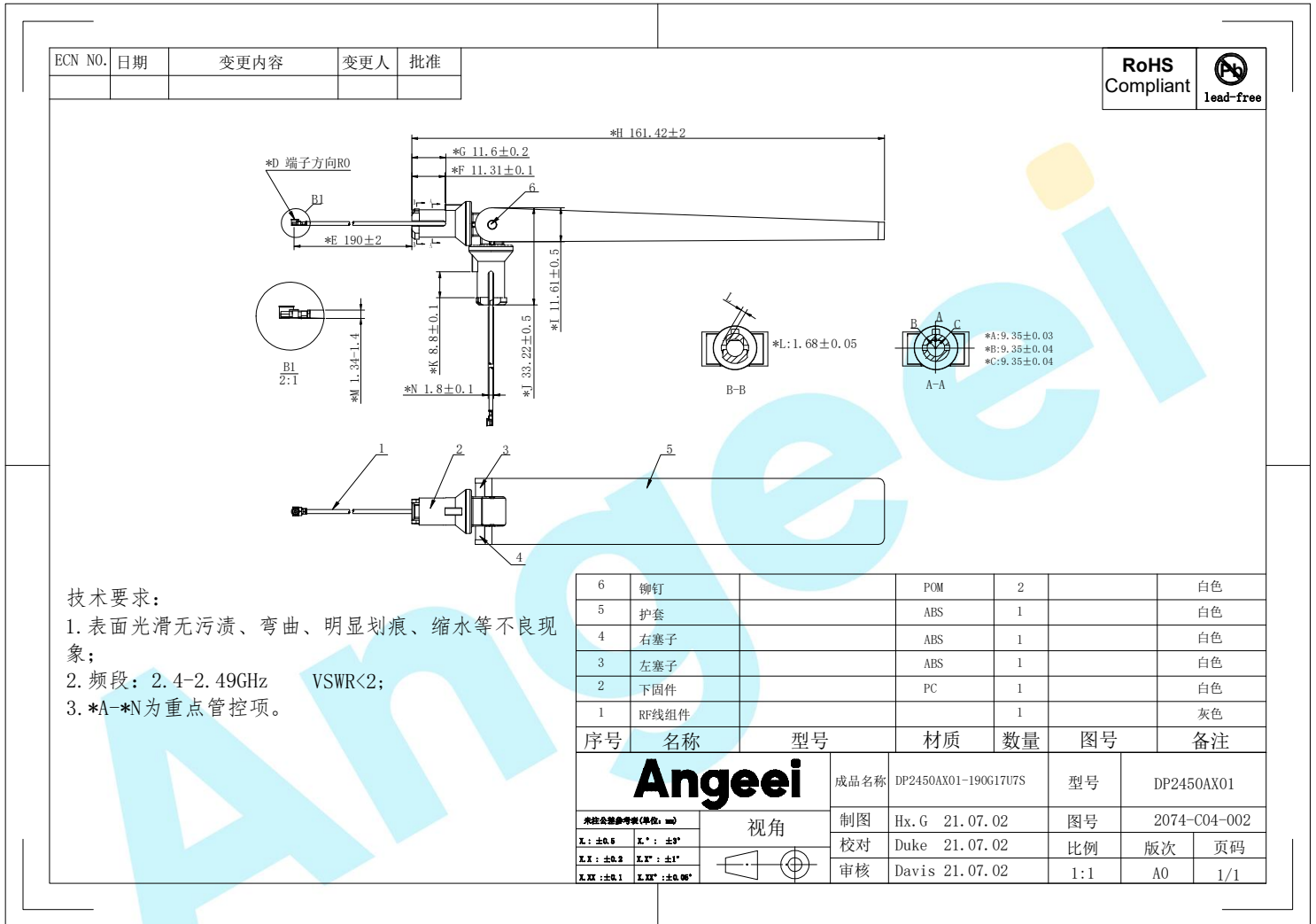


Figure5: Model DP2450AX01-190G17U7S Dimensions

6. ROHS

Model DP2450AX01-190G17U7S antenna is RoHS compliant.

7. Cable Data Sheet

Item	Specification	
Cable type	RF1.37	
Impedance	50 ± 3 ohms	
Inner conductor	Material	Tin-coated copper
	Conductor numbers	7
	Conductor size	0.102 mm
	Outer diameter	0.306 ± 0.02 mm
Dielectric layer	Material	FEP
	Color	Clear
	Diameter	0.9 ± 0.03 mm
Braid (shielding)	Material	Tin-coated copper
	Makeup: total / O.D. Of every wire(mm)	5/0.05 mm
	Coverage	90%± 5%
	Diameter	1.13± 0.05mm
Outer cover	Material	FEP
	Color	Gray
	Diameter	1.37 ± 0.05 mm
VSWR testing	< 1.3@0~6GHz	
Cable loss (dB/1meter)	1GHz	≤1.7
	2GHz	≤2.5
	3GHz	≤3.0
	4GHz	≤3.5
	5GHz	≤4.0
	6GHz	≤4.5
Operating temperature	-55°C~+150°C	

Note:

The content of this technical document is subject to change without notice. Please contact Angeei for further information.

Information in this document is provided in connection with Angeei products. No license, express or implied, to any intellectual property rights is granted by this document. Except as provided in Angeei's Terms and Conditions of Sale for such products, Angeei assumes no liability whatsoever, and Angeei disclaims any express or implied warranty, relating to sale and/or use of Angeei products including liability or warranties relating to fitness for a particular purpose, merchantability, or infringement of any patent, copyright or other intellectual property right. Angeei may make changes to specifications and product descriptions at any time, without notice. For the most current product information, please visit: www.Angeei.com.

Copyright ©Angeei . All rights reserved.

Angeei and the Angeei logo are trademarks of Jiangsu Angeei Electronics co., Ltd.

ADD:NO.28,Jinxing Rd,
Jinfeng Town,Zhangjiagang City,Jiangsu,China
Tel: +86-512-56990960 Fax: +86-512-56990970
Email: Sales@Angeei.com