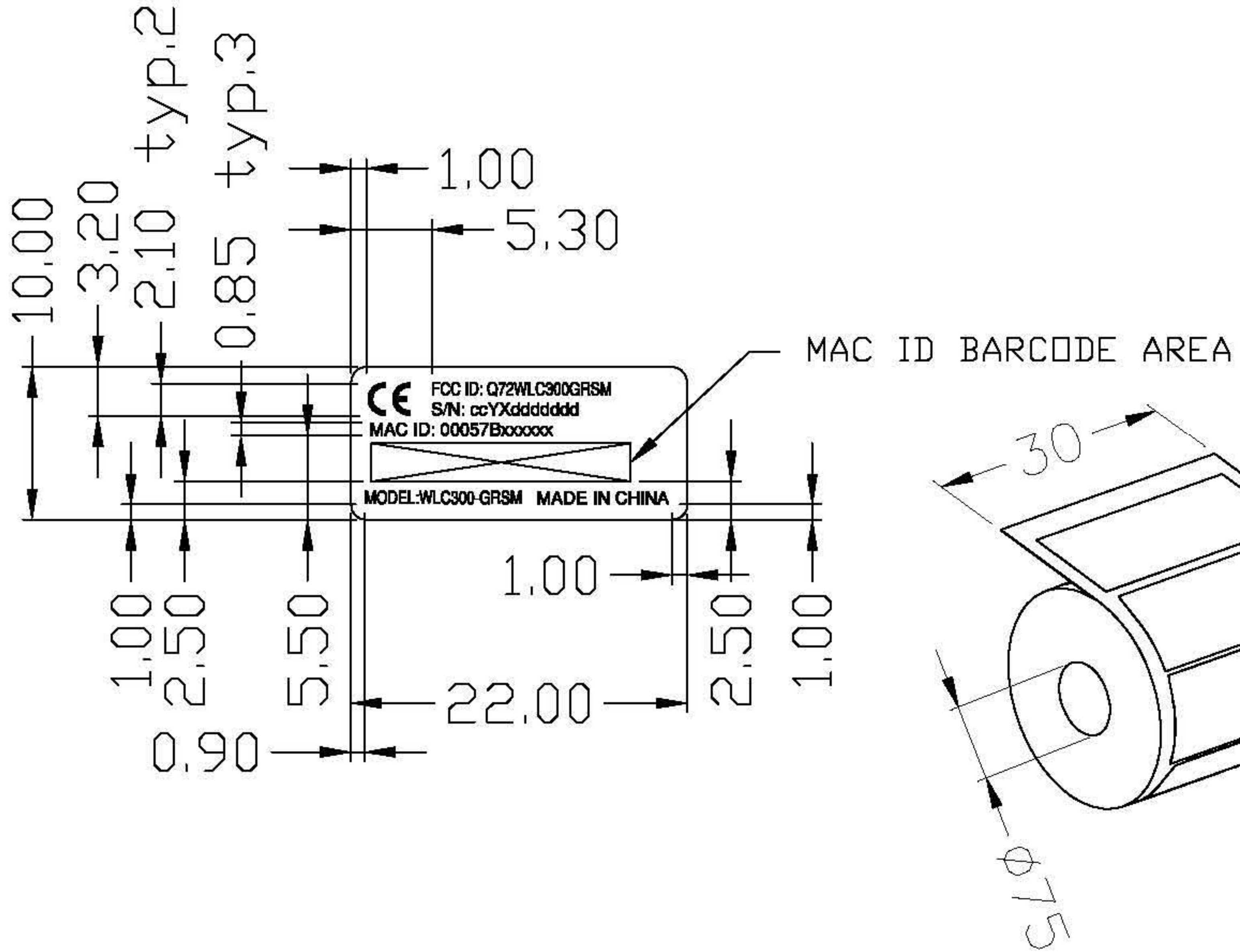
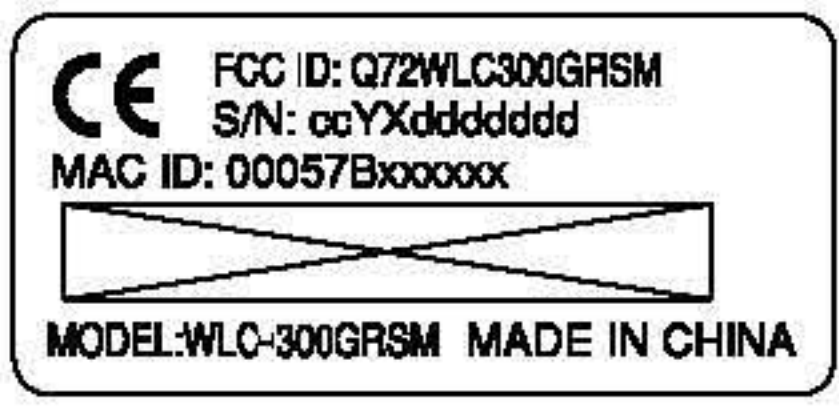


**Label Location**

REVISIONS				
ZONE	REV	DESCRIPTION	APPD	DATE
	X1	FIRST DESIGN		
	X2	Delete FCC logo	XM Zhang	2-Dec-2008
	X3	Update model name	XM Zhang	4-Dec-2008

-300



NOTES:

1. MATERIAL: 0.05mm THICKNESS POLYESTER FILM LABEL(FOR BRADY PRINTER 600).
2. THE LABEL IS PRINTED BY PRODUCTION.
3. FINISH: POLISHED.
4. RIBBON TYPE: IMTL, RIBBON RICOH B110C.
5. THE PART NEED BE RoHS COMPLIANT.
6. SUPPLIER LETTER OF SELF-DECLARATION ANF RoHS TESTING REPORT MUST BE PRESENT ALONG WITH FIRST ARTICLE SUBMISSION.

	QTY
--	-----

<p><b>TOLERANCES</b> UNLESS OTHERWISE SPECIFIED DIMENSIONS ARE IN MM</p> <table style="width:100%;"> <tr> <td>DECIMALS</td> <td>ANGULAR</td> </tr> <tr> <td>.X ± 0.25</td> <td>± 1</td> </tr> <tr> <td>.XX ± 0.13</td> <td></td> </tr> </table> <p>DO NOT SCALE IF IN DOUBT ASK </p>	DECIMALS	ANGULAR	.X ± 0.25	± 1	.XX ± 0.13		<p>MODEL NO 470RRAD002RUB01</p> <p>PART NO 479K0R00842AARD</p>		<p><b>CHUNG NAM ELECTRONICS CO., LTD.</b></p>				
	DECIMALS	ANGULAR											
.X ± 0.25	± 1												
.XX ± 0.13													
<p><b>WARNING</b> THIS DOCUMENT IS THE PROPERTY OF CHUNG NAM OR ITS CLIENTS AND CONTAINS CONFIDENTIAL AND TRADE SECRET INFORMATION OF CHUNG NAM OR ITS CLIENTS.</p>	<table border="1" style="width:100%; border-collapse: collapse;"> <tr> <td>DWN XM Zhang</td> <td>DATE 12-Sep-2008</td> </tr> <tr> <td>CKD</td> <td>DATE</td> </tr> <tr> <td>APPD</td> <td>DATE</td> </tr> </table> <p>CAD FILENAME FCC LABEL-FI25SM_PCB-x3.dwg</p>	DWN XM Zhang	DATE 12-Sep-2008	CKD	DATE	APPD	DATE	<p>TITLE FCC LABEL-FI25SM_PCB</p> <table border="1" style="width:100%; border-collapse: collapse;"> <tr> <td>SCALE 2 : 1</td> <td>DWG NO</td> <td>SHEET OF 1</td> <td>REV X3</td> </tr> </table>		SCALE 2 : 1	DWG NO	SHEET OF 1	REV X3
DWN XM Zhang	DATE 12-Sep-2008												
CKD	DATE												
APPD	DATE												
SCALE 2 : 1	DWG NO	SHEET OF 1	REV X3										
A	B	C	D										