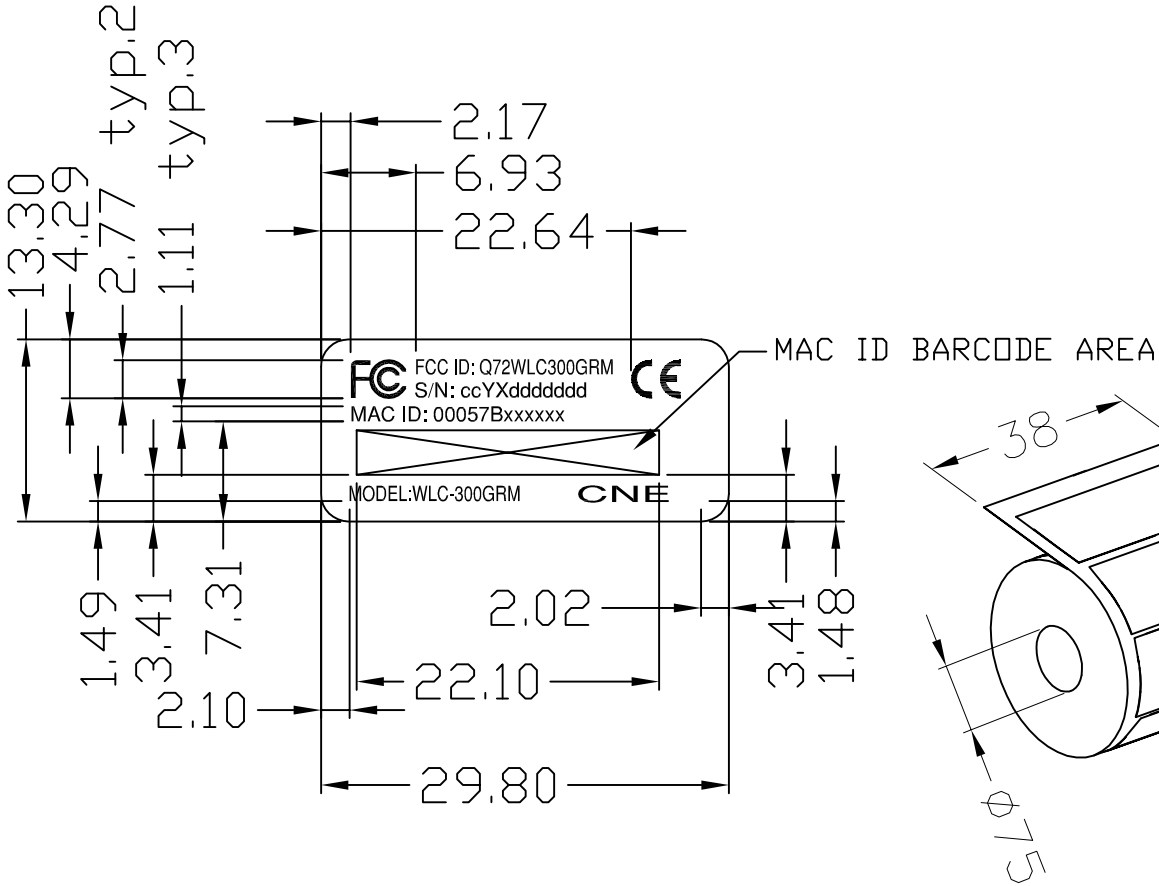
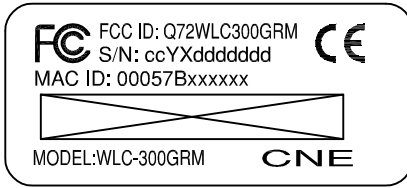




Label Location

REVISIONS				
ZONE	REV	DESCRIPTION	APPD	DATE
	X1	FIRST DESIGN		
	X2	Update design	XM Zhang	4-Aug-2008



NOTES:

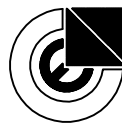
1. MATERIAL: 0.05mm THICKNESS POLYESTER FILM LABEL (FOR BRADY PRINTER 600).
2. THE LABEL IS PRINTED BY PRODUCTION.
3. FINISH: POLISHED.
4. RIBBON TYPE: IMTL, RIBBON RICOH B110C, (CNE PART NUMBER: EZDR10013AGEN).
5. THE PART NEED BE RoHS COMPLIANT.
6. SUPPLIER LETTER OF SELF-DECLARATION ANF RoHS TESTING REPORT MUST BE PRESENT ALONG WITH FIRST ARTICLE SUBMISSION.

	QTY
--	-----

TOLERANCES
UNLESS OTHERWISE SPECIFIED
DIMENSIONS ARE IN MM
DECIMALS ANGULAR
.X ± 0.25 ± 1
.XX ± 0.13

DO NOT SCALE IF IN DOUBT ASK

MODEL NO FI25M	
PART NO 479K0R00845AARD	
DWN XM Zhang	DATE 18-Jul-2008
CKD	DATE
APPD	DATE
CAD FILENAME PRODUCT LABEL-FI25M-x2.dwg	



CHUNG NAM ELECTRONICS CO., LTD.

TITLE PRODUCT LABEL-FI25M			
SCALE 2 : 1	DWG NO	SHEET 1 OF 1	REV X2

WARNING
THIS DOCUMENT IS THE
PROPERTY OF CHUNG NAM
OR ITS CLIENTS AND CONTAINS
CONFIDENTIAL AND TRADE
SECRET INFORMATION OF
CHUNG NAM OR ITS CLIENTS.