

Technical Specification

F Antenna with Integral Ground Plane

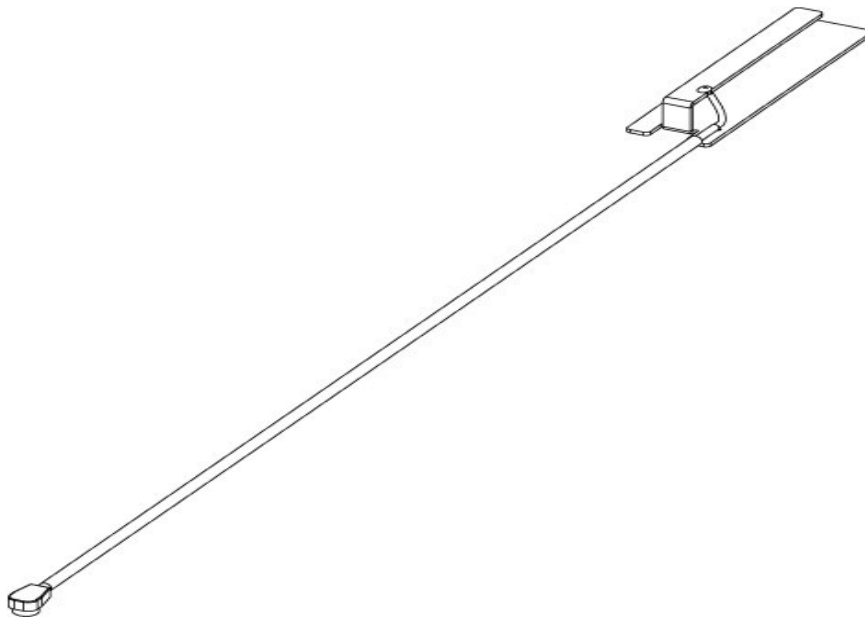
Description

The F Antenna is a sheet metal inverted-F antenna element with an integral ground plane. The ground plane allows the antenna to maintain acceptable performance in a variety of mounting orientations. Best performance is obtained when mounted over a larger ground plane with a 1 mm spacing to the ground plane. No electrical connection to a larger ground plane required. Being made entirely from sheet metal, high efficiency is maintained.

Specifications

Frequency of Operation	2.4 to 2.5 GHz
VSWR	1.5:1 typical; 2:1 max 3:1 VSWR bandwidth > 175 MHz
Efficiency	>75%
Gain	+1.5 dBi (peak) -0.5 dBi average (horizontal plane)
Polarization	Linear
Cable/Connector	1.3 mm diam coaxial with U.FL plug
Size (L x W x H)	34 mm x 9 mm x 4.5 mm
Material	Tin-plated steel

Isometric View



VSWR Plot

Markers 1 and 2 identify the 2.4 to 2.5 GHz band.

