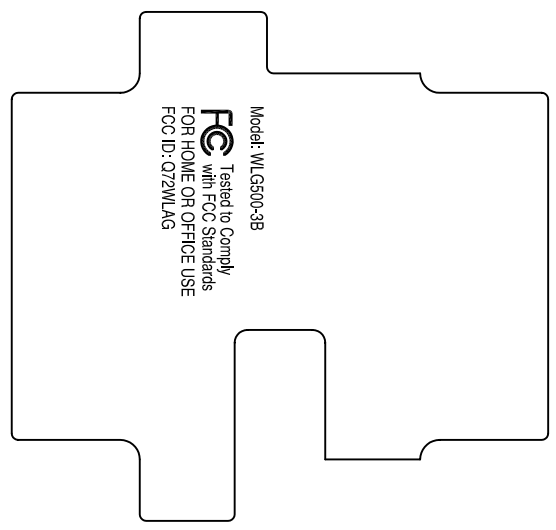
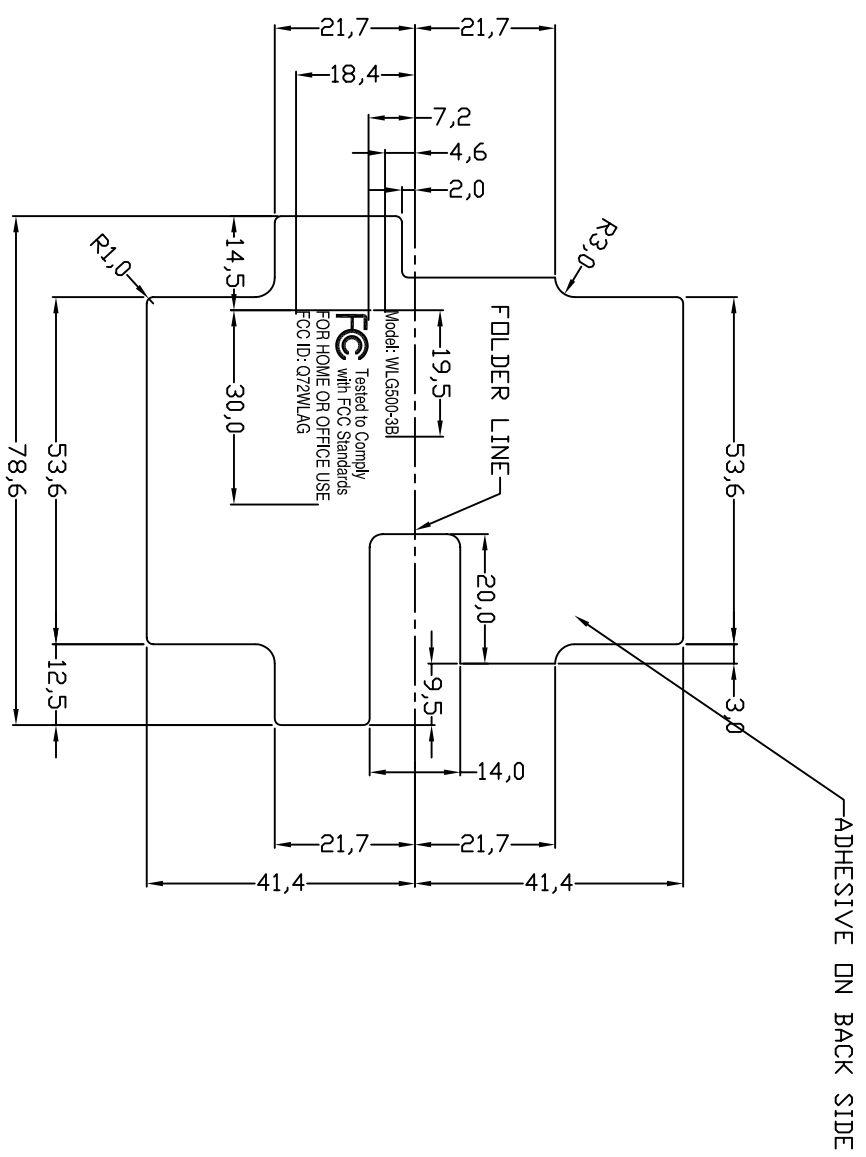


ZONE		REVISIONS		APPD	DATE
A	REV	DESCRIPTION	FIRST RELEASE	HYDE	08-Jun-04
B	REV	CHANGE THE FORM FACTOR AND ADD ID No.		HYDE	



REMOVE ALL DIMENSION

- NOTES:
1. MATERIAL: 0.05mm THK. POLYESTER(PET) FILM, UL APPROVED.
  2. COLOR: WHITE.
  3. FINISHING: POLISHED.
  4. THE PART MUST BE INSULATION.
  5. THE ADHESIVE MUST BE NON-CONDUCT ELECTRICITY.

MATERIAL	SEE NOTE	FINISH	SEE NOTE
TOLERANCES	UNLESS OTHERWISE SPECIFIED	DECIMALS	ANGULAR
	XX ± 0.20		± 0.5°
	XX ± 0.10		
DO NOT SCALE		IF IN DOUBT ASK	
WARNING	THIS DOCUMENT IS THE PROPERTY OF CHUNG NAM OR ITS CLIENTS AND CONTAINS CONFIDENTIAL AND TRADE SECRET INFORMATION. CHUNG NAM OR ITS CLIENTS.		
MODEL NO	00RAD0005WSL00	PART NO	9K00000268BARJ
DWN	HYDE	DATE	04-Mar-04
CKD		DATE	
APPD		DATE	
CAD FILENAME	FCC LABEL_FIS-02.DWG	SCALE	1 : 1
		A3	DWG NO
		SHEET 1	REV B
		OF 1	
		1	QTY



FCC LABEL, FIS

