



All for Healthcare

5666064-4A

Introduction

Thank you for purchasing the OMRON SC-150 Scale with Bluetooth®. This product is mainly designed for general household use.

Safety Instructions
This instruction manual provides you with important information about the OMRON SC-150. To ensure the safe and proper use of this product, READ and UNDERSTAND all of these instructions. If you do not understand these instructions or have any questions, contact 1-800-634-4350 before attempting to use this product. For specific information about your own weight, consult with your physician.

Intended Use
The OMRON SC-150 Scale with Bluetooth® is intended to measure and display body weight. It is intended for home use only.

Receiving and Inspection
Remove this product and other components from the packaging and inspect for damage. If this product or any other components are damaged, DO NOT USE and contact 1-800-634-4350.

Symbols Glossary
For symbol information, visit: OmronHealthcare.com/symbols-glossary
OmronHealthcare.ca/symbols-glossary

Important Safety Information

Read the Important Safety Information in this instruction manual before using this monitor. Follow this instruction manual thoroughly for your safety.

- Warning** Indicates a potentially hazardous situation which, if not avoided, could result in death or serious injury.
- Consult with your physician or healthcare provider before beginning a weight reduction or exercise program.
- Stop using the scale and consult your doctor if you experience skin irritation on your foot or feet.
- DO NOT use the scale on slippery surfaces, such as a wet floor.
- Keep the scale out of the reach of infants, toddlers and children.
- DO NOT jump on the scale. Doing so may cause you to fall or slip, resulting in serious injury.
- DO NOT use the scale when your body and/or feet are wet, such as after taking a bath or shower.
- DO NOT step on the edges or display area of the scale because you may lose your balance and fall, resulting in serious injury.
- Persons with disabilities or persons who are physically frail should be assisted by another person when using the scale to prevent falling when stepping on and off the scale.
- DO NOT put your fingers into any openings or inside the scale.
- Use indoors.
- DO NOT use the scale for purposes other than described in this manual.
- DO NOT use the scale with other medical electrical (ME) equipment simultaneously. This may result in incorrect operation of the devices and/or cause an inaccurate reading.
- DO NOT damage the glass because it may break and result in an injury.

Battery Usage
- If battery fluid leaks and contacts your eyes, skin or clothing, immediately rinse with plenty of clean water. Contact your physician if battery fluid contacts your eyes or skin.

Data Transmission
- This product emits radio frequencies (RF) in the 2.4 GHz band. DO NOT use this product in locations where RF is restricted, such as on an aircraft or in hospitals. For further information on potential restrictions refer to documentation on the Bluetooth usage by the FCC/ISED.

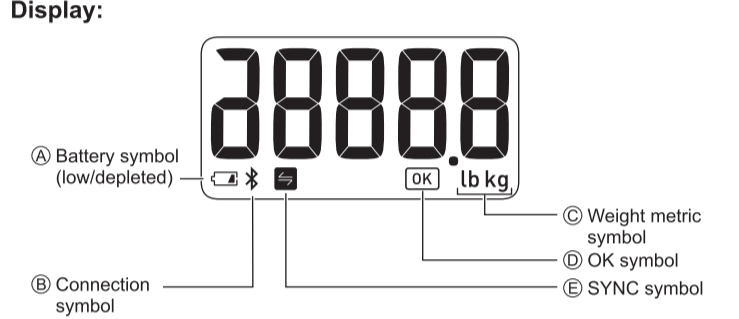
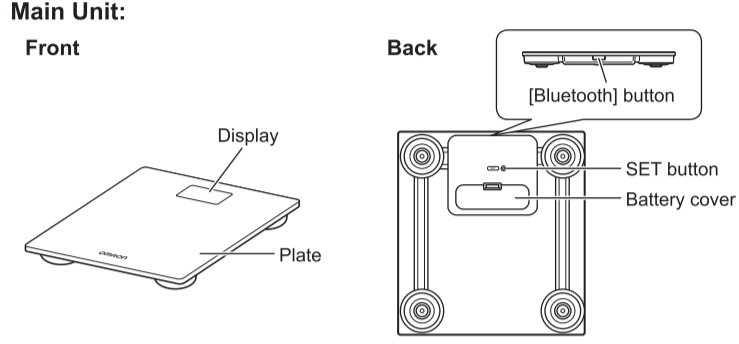
- Caution** Indicates a potentially hazardous situation which, if not avoided, may result in minor or moderate injury to the user or patient, or cause damage to the equipment or other property.
- DO NOT share the scale with others because your weight data accuracy may be impacted.
- Clean the scale before use if it has been used by people with a skin disease on their feet.
- DO NOT place the scale against a wall because an injury or malfunction of the scale may occur.
- DO NOT attempt to disassemble, modify or repair the scale.
- Ensure that the scale has acclimated to room temperature before taking a measurement. Taking a measurement after an extreme temperature change could lead to an inaccurate reading. OMRON recommends waiting for approximately 2 hours for the scale to warm up or cool down when the scale is used in an environment within the temperature specified as operating conditions after it is stored either at the maximum or at the minimum storage temperature. For additional information of operating and storage/transport temperature, refer to section 9.
- DO NOT place the scale on a cushioned floor surface such as a carpet or mat because a measurement may not be accurate.
- DO NOT submerge the scale or any of the components in water.
- DO NOT place the scale near heat sources or below air conditioners.
- Avoid exposure to direct sunlight.
- Avoid excessive impact, vibration and strong shock to this scale.
- DO NOT wash the scale with water.
- DO NOT wipe the scale with benzene, gasoline, paint thinner, or other volatile solvents.
- DO NOT place the scale where it will be exposed to chemicals or corrosive vapors.
- Store the scale on a level surface.
- DO NOT store any objects on the scale.

Battery Usage
- Replace worn batteries with new ones immediately.
- DO NOT expose the batteries to flames or fire.
- DO NOT insert the batteries with the polarities in the wrong direction.
- ONLY use 4 "AAA" manganese or alkaline batteries with the scale. DO NOT use other types of batteries. DO NOT use new and used batteries together. Replace all 4 batteries at the same time.
- DO NOT use different types of batteries together.
- Dispose of the device, batteries, components according to applicable local regulations. Unlawful disposal may cause environmental pollution.
- Remove the batteries if the scale will not be used for three months or more.
- DO NOT use batteries after their expiration date.

Data Transmission
- During measurement, make sure that no mobile device or any other electrical devices that emit electromagnetic fields is within 12 inches (30 cm) of the scale. This may result in incorrect operation of the scale and/or cause an inaccurate reading.
- DO NOT replace the battery while your measurement result is being transferred to your smart device. This may result in the incorrect operation of the scale and failure to transfer your measurement result.
- DO NOT place integrated circuit cards, magnets, metal objects, or other devices that emit electromagnetic fields near the scale while your measurement result is being transferred to your smart device. This may result in the incorrect operation of the scale and failure to transfer your measurement result.

1. Know Your Device

- Contents:**
- Digital Weight Scale
- 4 "AAA" Manganese Batteries
- Instruction Manual
- Quick Start Guide



Display symbols: A (Battery low), B (Bluetooth), C (lb/kg), D (OK), E (Sync). Flashing when batteries are low, appears when depleted, flashes/appears when selecting weight metric, flashes when connected to smart device, appears if reading was not transferred.

2. Before Taking a Measurement

2.1 Installing Batteries

- 1. Open the battery cover on the back of the scale.
2. Install the batteries following the correct polarities as shown to the right and inside the battery compartment.
3. Close the battery cover.
Note: When the "A1" symbol and "A1" appear, replace all 4 batteries with new ones. Items stored in memory will be saved even if the batteries are removed. Place the scale on a hard, flat and level floor immediately after installing the batteries. The scale is calibrated automatically. Disposal of used batteries should be carried out in accordance with your local regulations for the disposal of batteries.

2.2 Selecting the Weight Metric

- 1. When the scale is off, press the [SET] button to select your preferred weight metric "lb" or "kg". (Weight is set to "lb" as the default metric.)
The weight metric will be saved after 10 seconds. The scale will automatically turn off after 3 seconds.

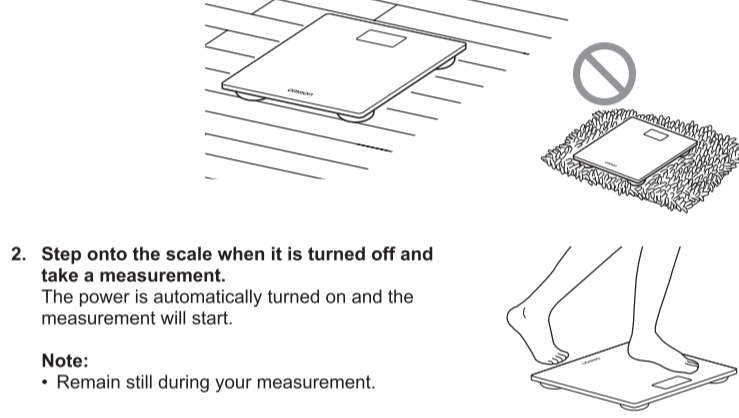
2.3 Pairing the Scale with a Smart Device

- If you want to transfer the reading, follow the below instructions.
1. Enable the Bluetooth on your smart device.
2. Scan the code on the right with your smart device camera or visit OmronHealthcare.com/app to find the OMRON compatible app for this product.
3. Open the app and follow the pairing instructions shown on your smart device. Make sure that your scale is within 5 m of your smart device.
4. Press the [Bluetooth] button (the side of the scale) for more than 2 seconds to connect to your smart device. The "Bluetooth" symbol and "P" symbol flash on the display.
5. Confirm that the scale is connected successfully. When the scale is connected successfully to your smart device, the "[OK]" symbol flashes.

- Note:**
- When the "Err" appears, follow the instructions in the app.
- The scale will automatically turn off after 10 seconds.
- Be aware that OMRON will not be responsible for the loss of data and/or information in the app.
- This scale can be paired with one smart device and only one user can manage the measurement data. Do not use the multiple apps.
- Only compatible OMRON apps should be used with this scale to help ensure correct data transfer.

3. Taking a Measurement

- It is recommended to measure your weight at the same time each day for consistency.
1. Place the scale on a hard, flat and level floor.
Note: This scale is recommended for use by one person. Do not place the scale on a cushioned surface such as a carpet or mat.



- 2. Step onto the scale when it is turned off and take a measurement. The power is automatically turned on and the measurement will start.
Note: Remain still during your measurement.
3. When your weight flashes, your measurement is complete.

4. Transferring Your Reading

4.1 Transferring Your Reading Automatically

- Your reading will be transferred to your smart device automatically within 30 minutes after the scale is turned off.
Note: If your reading is transferred before the scale is turned off, the display shows as below with the "A1" symbol showing on the display during the transfer.
The scale will automatically turn off.
Transferring the reading. The transfer is completed.

4.2 Transferring Your Reading Manually

- To transfer the readings manually, press the [Bluetooth] button during the power is off. The "Bluetooth" symbol appears from the start of transferring to the end.
The scale will automatically turn off after 10 seconds.
Transferring the reading. The transfer is completed.
Note: If the "Bluetooth" symbol does not appear, refer to "The data is not being transferred." in section 6 for more detail. This scale will store up to 30 readings for one user. Stored readings cannot be viewed on the scale's display. You can view your readings on the app after transferring. When the "Bluetooth" symbol appears on the display, your reading was not transferred. Transfer the readings immediately before the oldest reading is deleted.

5. Restoring the Scale to the Default Settings

- To delete all information stored in the scale, follow the instructions below. Make sure that the scale is turned off.
1. Press the [Bluetooth] button for more than 2 seconds. The display flashes as shown on the right.
2. Press the [Bluetooth] button again for more than 5 seconds. The display flashes as shown on the right and the "Bluetooth" symbol stops flashing.
3. Press the [SET] button. When the display stops flashing, the scale is restored to the default settings.
Note: The scale will automatically turn off after 10 seconds. Restoring to the default setting of the scale does not delete the information in the app.

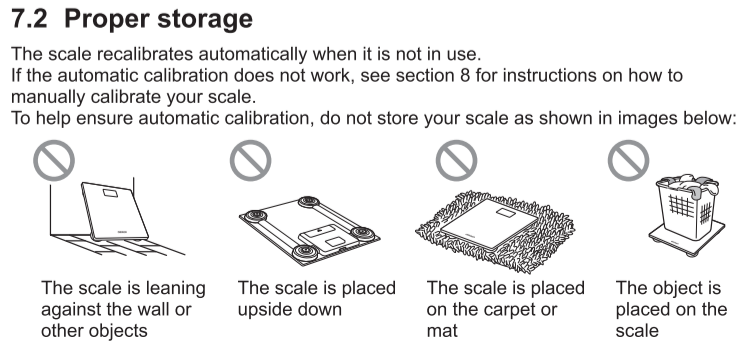
6. Error Messages and Troubleshooting

If any of the below problems occur during a measurement, check to make sure that no other electrical device is within 12 inches (30 cm). If the problem persists, refer to the table below.

Table with 3 columns: Display/Problem, Possible Cause, Solution. Includes errors like Err, Err1, Err2/Err5, Err3, Err4, A1, Connection failure, and measurement errors.

7. Maintenance

- 7.1 Maintenance**
To protect your scale from damage, follow the directions below:
- Use a soft dry cloth, or a soft cloth moistened with mild (neutral) detergent to clean the scale.
- Store the scale in a clean, safe location.
- Do not use any abrasive or volatile cleaners, gasoline, thinners or similar solvents to clean the scale.
- Do not clean the scale by immersing it in water.
7.2 Proper storage
The scale recalibrates automatically when it is not in use. If the automatic calibration does not work, see section 8 for instructions on how to manually calibrate your scale. To help ensure automatic calibration, do not store your scale as shown in images below:



8. Calibration

- To calibrate your scale, follow the instructions below.
1. Place the scale on a hard, flat and level floor.
2. Press the surface of the scale with your hand to turn on the power.
3. When "0.0 lb" (or "0.0 kg") is displayed, wait for 1 minute to turn the scale off. Then you can take a measurement.

9. Specifications

Table with 2 columns: Product name, Model, Display, Weight accuracy, Transmission method, Wireless communication, IP classification, Power supply, Battery life, Operating conditions, Storage conditions, Weight, External dimensions, Contents, Applied part. Includes details like Bluetooth Low Energy, 2.4 GHz, and 4 AAA batteries.

10. FCC/ISED Statement and Trademarks

FCC CAUTION
Changes or modifications not expressly approved by the party responsible for compliance could void the user's authority to operate the equipment.
This device complies with part 15 of FCC Rules and Innovation, Science and Economic Development Canada's licence-exempt RSS(s). Operation is subject to the following two conditions: (1) this device may not cause harmful interference, and (2) this device must accept any interference received, including interference that may cause undesired operation.
Note: This equipment has been tested and found to comply with the limits for a Class B digital device, pursuant to part 15 of the FCC Rules. These limits are designed to provide reasonable protection against harmful interference in a residential installation. This equipment generates, uses and can radiate radio frequency energy and, if not installed and used in accordance with the instructions, may cause harmful interference to radio communications. However, there is no guarantee that interference will not occur in a particular installation. If this equipment does cause harmful interference to radio or television reception, which can be determined by turning the equipment off and on, the user is encouraged to try to correct the interference by one or more of the following measures:
- Reorient or relocate the receiving antenna.
- Increase the separation between the equipment and receiver.
- Connect the equipment into an outlet on a circuit different from that to which the receiver is connected.
- Consult the dealer or an experienced radio/TV technician for help.
This transmitter must not be co-located or operated in conjunction with any other antenna or transmitter.
This equipment complies with FCC/ISED radiation exposure limits set forth for an uncontrolled environment and meets the FCC radio frequency (RF) Exposure Guidelines and RSS-102 of the ISED radio frequency (RF) Exposure rules as this equipment has very low levels of RF energy.

11. Limited Warranty

The OMRON SC-150 Scale with Bluetooth® excluding batteries, is warranted to be free from defects in materials and workmanship appearing within 1 year from the date of purchase, when used in accordance with the instructions provided with the scale. The above warranty extends only to the original retail purchaser, and only to products purchased from an Omron authorized seller who is subject to and follows Omron's quality control standards, unless otherwise prohibited by law. We will, at our option, replace without charge any unit covered by the above warranty. Replacement is our only responsibility and your only remedy under the above warranty. To obtain warranty service contact Customer Service by calling 1-800-634-4350 for the address of the inspection center and the return shipping and handling fee. Enclose the original printed receipt. Include a letter, with your name, address, phone number, and description of the specific problem. Pack the product carefully to prevent damage in transit. Because of possible loss in transit, we recommend insuring the product with return receipt requested. FOREGOING IS THE SOLE WARRANTY PROVIDED BY OMRON IN CONNECTION WITH THIS PRODUCT, AND OMRON HEREBY DISCLAIMS ANY OTHER WARRANTIES, EXPRESS OR IMPLIED, INCLUDING IMPLIED WARRANTIES OF MERCHANTABILITY AND FITNESS FOR A PARTICULAR PURPOSE. IMPLIED WARRANTIES AND OTHER TERMS THAT MAY BE IMPOSED BY LAW, IF ANY, ARE LIMITED IN DURATION TO THE PERIOD OF THE ABOVE EXPRESS WARRANTY. OMRON SHALL NOT BE LIABLE FOR LOSS OF USE OR ANY OTHER SPECIAL, INCIDENTAL, CONSEQUENTIAL OR INDIRECT COSTS, EXPENSES OR DAMAGES. This warranty provides you with specific legal rights, and you may have other rights which vary by jurisdiction. Because of special local requirements, some of the above limitations and exclusions may not apply to you.

FOR CUSTOMER SERVICE
Visit our web site at:
Call toll free:
For USA - OmronHealthcare.com
For Canada - OmronHealthcare.ca
1-800-634-4350

12. Guidance and Manufacturer's Declaration

OMRON SC-150 Scale with Bluetooth® Information for Accompanying Documents in the Scope of IEC60601-1-2:2014

Important information regarding Electromagnetic Compatibility (EMC)

SC-150 conforms to IEC60601-1-2:2014 Electromagnetic Compatibility (EMC) standard. Further documentation in accordance with this EMC standard is available at OmronHealthcare.com/emc. Refer to the EMC information for SC-150 on the website. The Bluetooth® word mark and logos are registered trademarks owned by the Bluetooth SIG, Inc. and any use of such marks by OMRON HEALTHCARE Co., Ltd. is under license. Other trademarks and trade names are those of their respective owners.

OMRON HEALTHCARE Co., Ltd.
53, Kunotsubo, Terado-cho
Muko, Kyoto, 617-0002 JAPAN
Distributed by:
OMRON HEALTHCARE, INC.
1925 West Field Court
Lake Forest, IL 60045 U.S.A.
For USA - OmronHealthcare.com
For Canada - OmronHealthcare.ca
© 2021 OMRON HEALTHCARE, INC.
Made in China