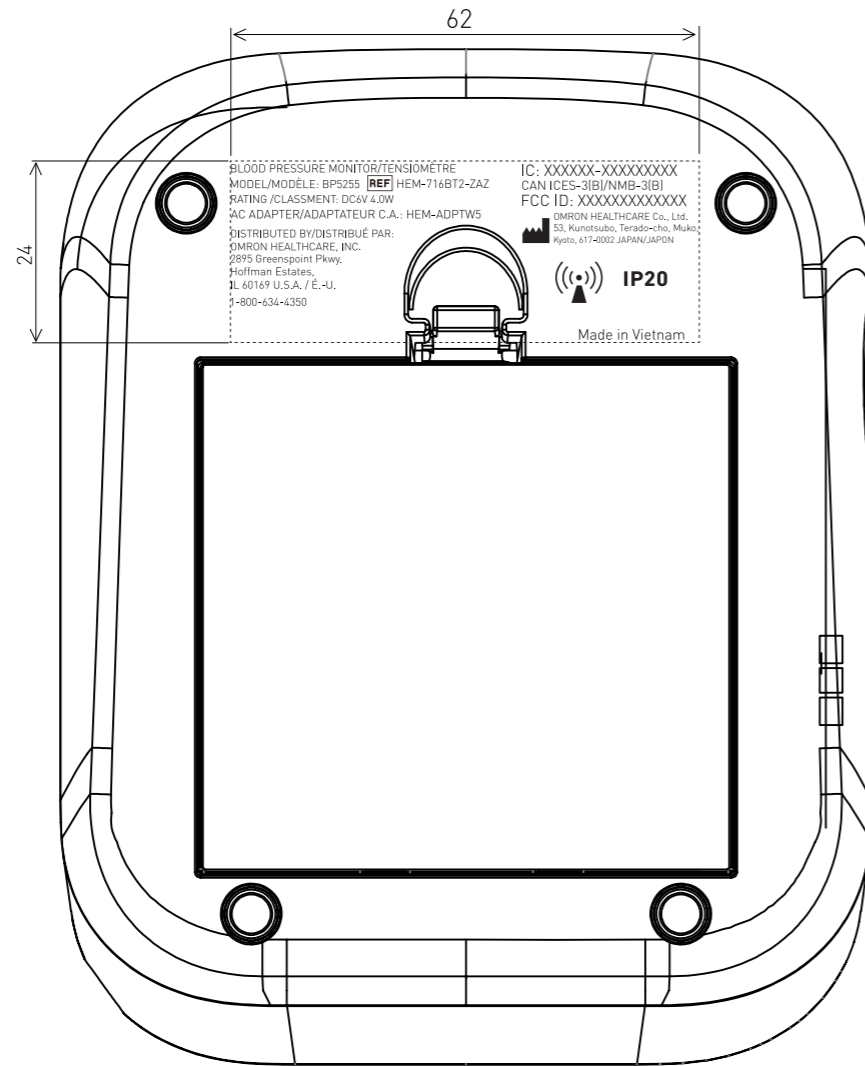


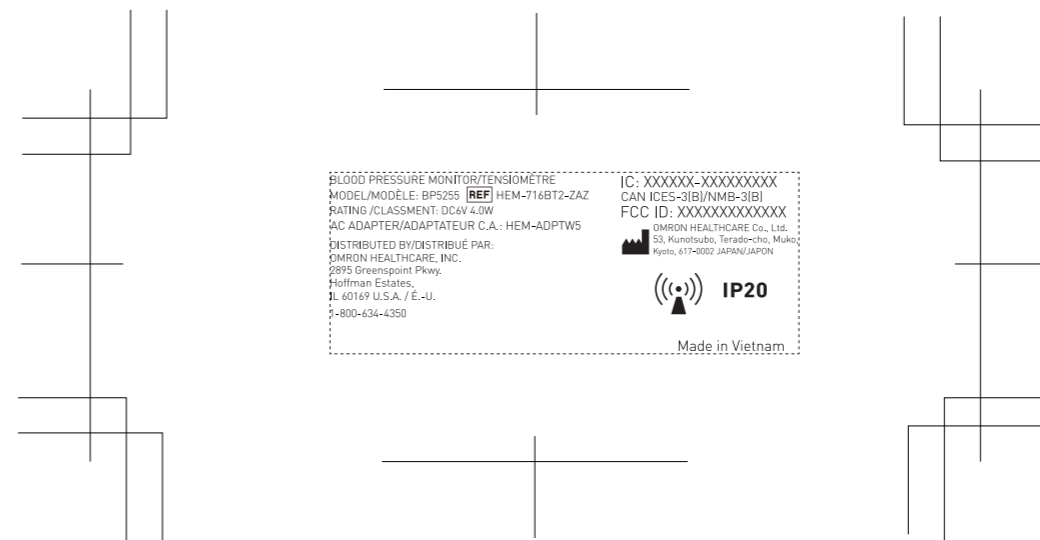
Blood pressure monitor  
part name : label,rating  
drwg: HEM-716BT2-ZAZ



\*Due to the size of product, the statement required by FCC 15.19(a) will be printed on users manual.

The FCC Identifier "FCC ID" is 4.0 point or larger.

The labels are laser-engraved, so the letters do not fade easily and the labels themselves do not peel off.



IC:XXXXX-XXXXXXXX will be replaced by IC:10623A-HEM716BT2.

FCC ID: XXX-XXXXXXXX will be replaced by FCC ID:Q6ZHEM716BT2.