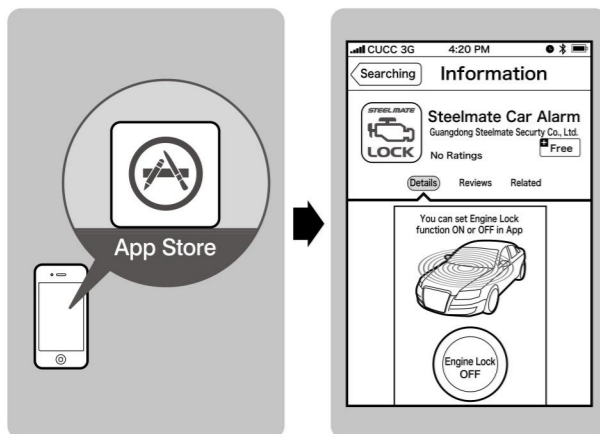


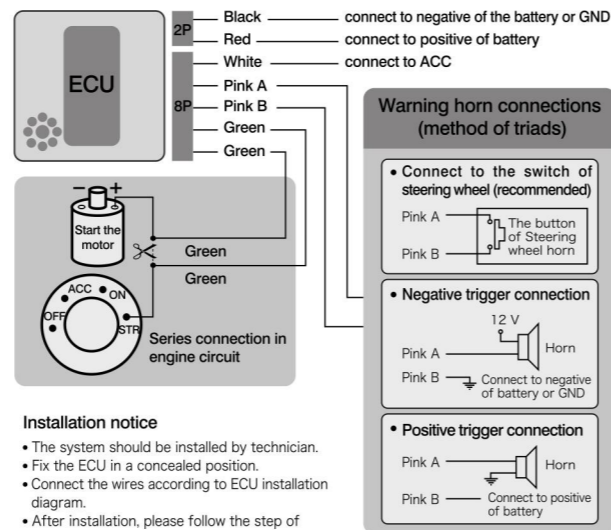
# 1 Download the App in App Store



Search keywords "Steelmate Car Alarm" in App store.

Download and install the Steelmate Car Alarm App.

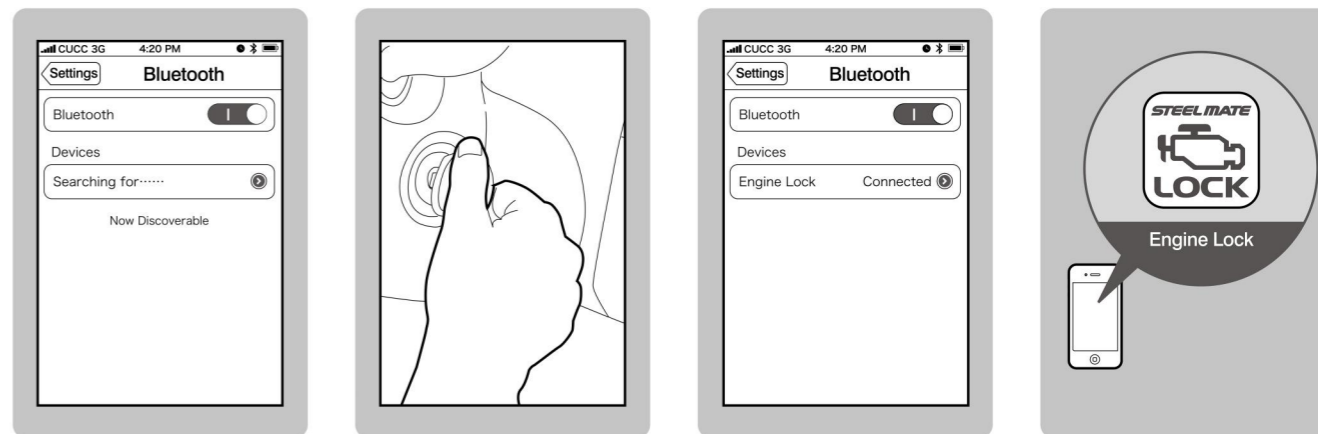
# 2 ECU installation diagram



### Installation notice

- The system should be installed by technician.
- Fix the ECU in a concealed position.
- Connect the wires according to ECU installation diagram.
- After installation, please follow the step of "Usage" to validate the function.

# 3 Bluetooth pairing



Turn on the Bluetooth, and then search for the devices.

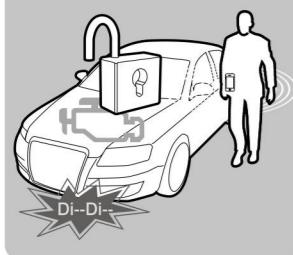
Turn the ignition key from OFF to ON for 5 times and keep in ON position at last time. The system will enter Bluetooth pairing mode.

Select the device "Engine Lock" from the devices list. The pairing time of the second iPhone should be less than 10 minutes, otherwise the first paired iPhone will be cleared.

Hit the home key above, then click the icon to enter alarm operating interface.

# 4 Usage [ This function only works after Bluetooth pairing ]

Engine unlock automatically



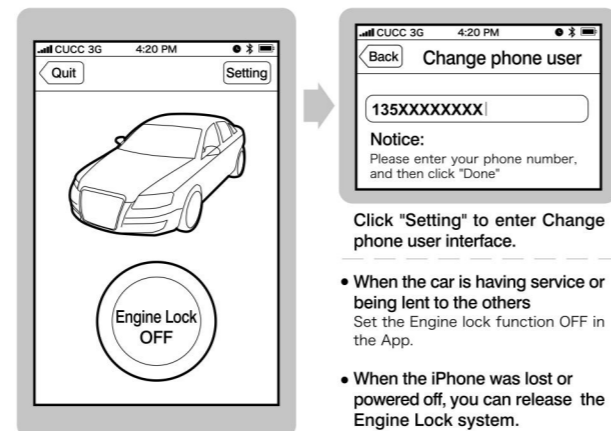
The system will unlock automatically when it detected an authorized iPhone, and the engine can be started.

Engine lock automatically

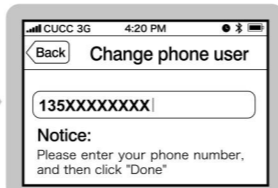


The system will lock automatically, while it detected an authorized iPhone away from the car and engine flameout after 20 seconds. The alarm will sound if the engine is started in locked status.

# 5 Setting



Open the App, you will see above interface.  
 If the Engine Lock is in OFF status, when the vehicle has been running longer than 2 minutes, and then flameout, the system will chirp twice to remind the driver to turn on the Engine Lock.



Click "Setting" to enter Change phone user interface.

- **When the car is having service or being lent to the others**  
 Set the Engine lock function OFF in the App.
- **When the iPhone was lost or powered off, you can release the Engine Lock system.**  
 Turning the ignition key from OFF to ON 5 times to enter the Bluetooth pairing mode and you should not do any operation, it can clear the paired phone record, and then the engine lock function will be off.

1. This device complies with Part 15 of the FCC Rules. Operation is subject to the following two conditions:

- (1) This device may not cause harmful interference.
- (2) This device must accept any interference received, including interference that may cause undesired operation.

2. Changes or modifications not expressly approved by the party responsible for compliance could void the user's authority to operate the equipment.

- NOTE:**
- This equipment has been tested and found to comply with the limits for a Class B digital device, pursuant to Part 15 of the FCC Rules. These limits are designed to provide reasonable protection against harmful interference in a residential installation.
  - This equipment generates uses and can radiate radio frequency energy and, if not installed and used in accordance with the instructions, may cause harmful interference to radio communications.
  - However, there is no guarantee that interference will not occur in a particular installation. If this equipment does cause harmful interference to radio or television reception, which can be determined by turning the equipment off and on, the user is encouraged to try to correct the interference by one or more of the following measures:
    - Reorient or relocate the receiving antenna.
    - Increase the separation between the equipment and receiver.
    - Connect the equipment into an outlet on a circuit different from that to which the receiver is connected.
    - Consult the dealer or an experienced radio/TV technician for help.



**STEELMATE CO., LTD.**

Factory Add: No. 39, Heping Street, Dongfu Road, Dongfeng Town ZhongShan City, GuangDong, China 528425

www.steel-mate.com



Learn more

A881  
Smart Car Alarm



Engine Lock



Made for iPhone 5, iPhone 4S, iPhone 4, iPhone 3GS

Manual