

## **Certification Test Report**

### **433.92 MHz Alarm System**

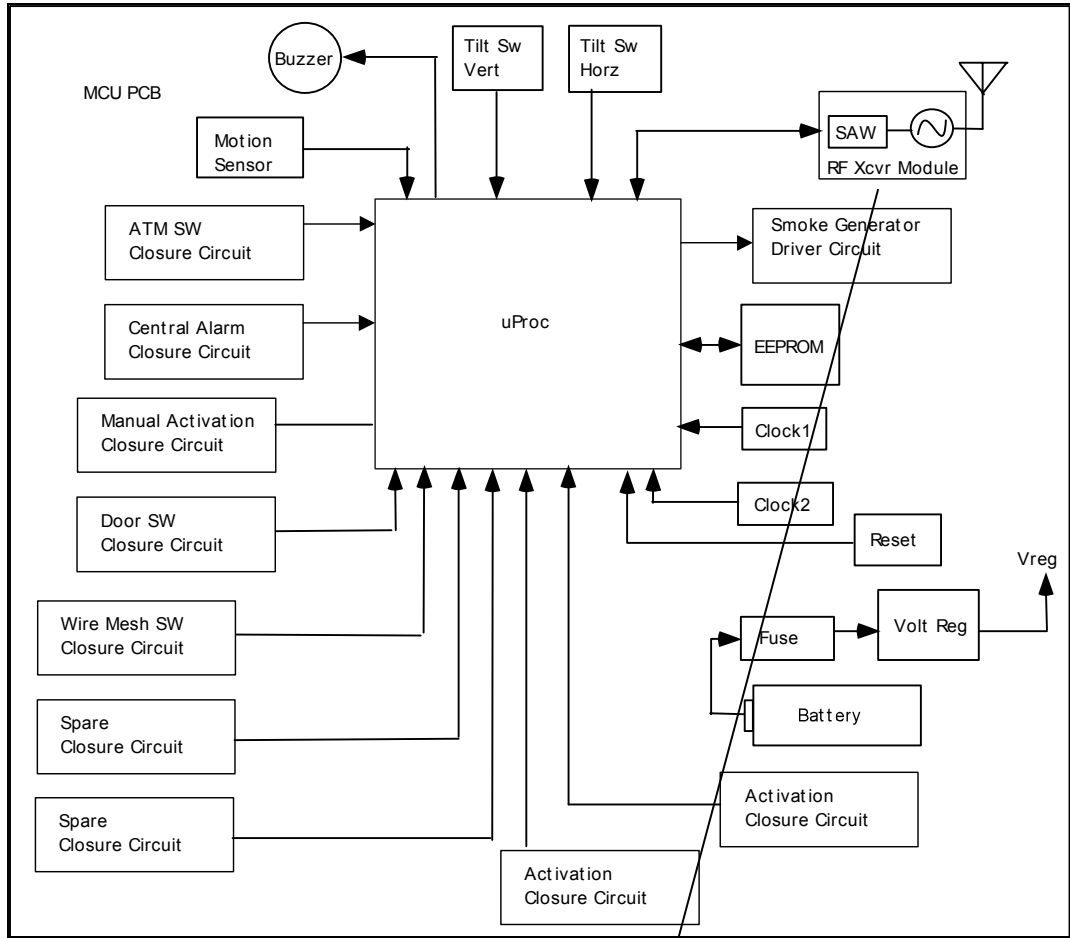
**FCC ID: Q6K 1000-7251**

**FCC Rule Part: 15.231**

**ACS Report Number: 04-0056-15C231**

Manufacturer: 3SI Security Systems  
Model: MCU

## **Block Diagram**



**Transceiver Block Diagram**

Figure 1 is the schematic of the transceiver, U7. Please refer to Figure 1 for the following discussions.

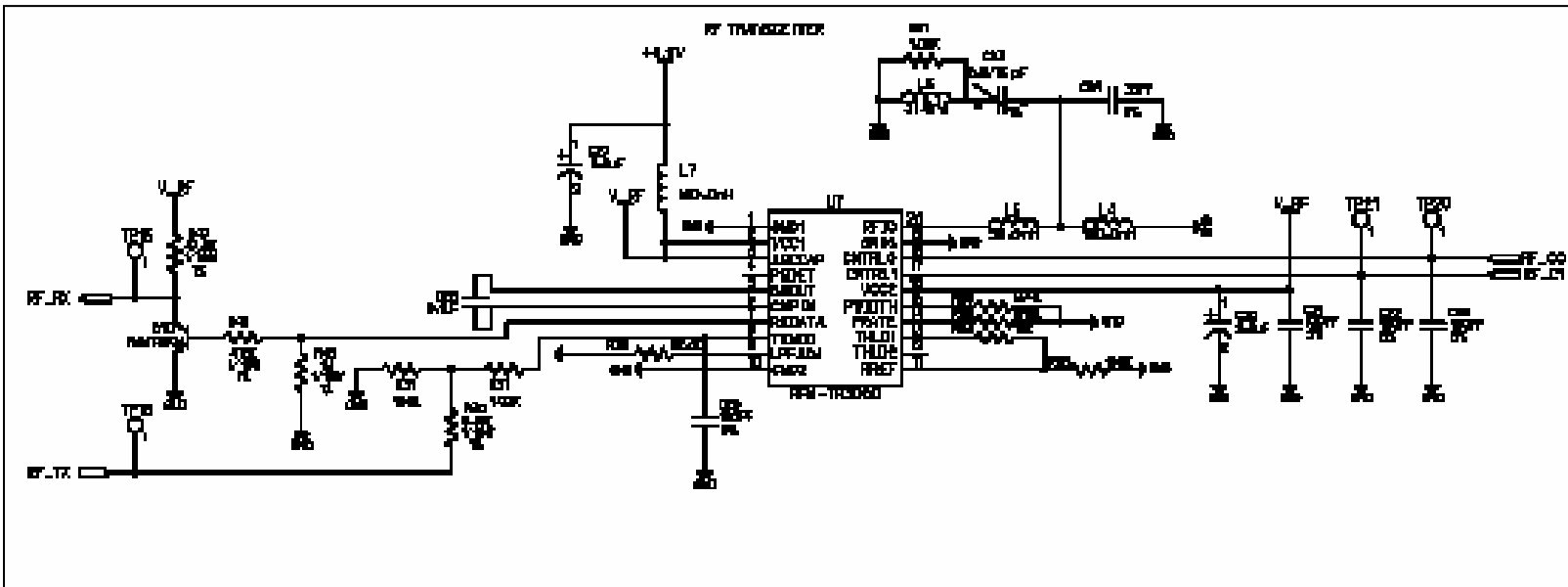


Figure #1

The main voltage to the RF circuitry is filtered by **C27**, **L7**, & **C20** in a “pi” configuration. **C22** & **C35** provide RF bypassing on the transceiver control lines.