



Prüfbericht-Nr.: <i>Test report no.:</i>	CN21BZ5K(FCC-Colocated) 001	Auftrags-Nr.: <i>Order no.:</i>	238522264	Seite 1 von 19 Page 1 of 19
Kunden-Referenz-Nr.: <i>Client reference no.:</i>	N/A	Auftragsdatum: <i>Order date:</i>	2021-11-10	
Auftraggeber: <i>Client:</i>	WatchGuard Technologies, Inc. 505 Fifth Avenue South, Suite 500, Seattle Washington United States 98104			
Prüfgegenstand: <i>Test item:</i>	Wireless Access Point			
Bezeichnung / Typ-Nr.: <i>Identification / Type no.:</i>	AP432			
Auftrags-Inhalt: <i>Order content:</i>	Spot Checking Emissions (FCC)			
Prüfgrundlage: <i>Test specification:</i>	FCC 47CFR Part 15: Subpart C Section 15.247 FCC 47CFR Part 15: Subpart E Section 15.407			
Wareneingangsdatum: <i>Date of sample receipt:</i>	2021-11-11			
Prüfmuster-Nr.: <i>Test sample no.:</i>	A003162916-019, 005 A003162916-001			
Prüfzeitraum: <i>Testing period:</i>	2021-12-08 - 2021-12-21			
Ort der Prüfung: <i>Place of testing:</i>	EMC/RF Taipei Testing Site			
Prüflaboratorium: <i>Testing laboratory:</i>	Taipei Testing Laboratories			
Prüfergebnis*: <i>Test result*:</i>	Pass			
überprüft von: <i>compiled by:</i>		genehmigt von: <i>authorized by:</i>		
Datum: <i>Date:</i>	2021-12-27	Ausstellungsdatum: <i>Issue date:</i>	2021-12-27	
Stellung / Position:	Project Manager	Stellung / Position:	Senior Project Manager	
Sonstiges / Other:				
Zustand des Prüfgegenstandes bei Anlieferung: <i>Condition of the test item at delivery:</i>	Prüfmuster vollständig und unbeschädigt <i>Test item complete and undamaged</i>			
* Legende:	1 = sehr gut P(ass) = entspricht o.g. Prüfgrundlage(n)	2 = gut F(ail) = entspricht nicht o.g. Prüfgrundlage(n)	3 = befriedigend N/A = nicht anwendbar	4 = ausreichend N/T = nicht getestet
* Legend:	1 = very good P(ass) = passed a.m. test specification(s)	2 = good F(ail) = failed a.m. test specification(s)	3 = satisfactory N/A = not applicable	4 = sufficient N/T = not tested
Dieser Prüfbericht bezieht sich nur auf das o.g. Prüfmuster und darf ohne Genehmigung der Prüfstelle nicht auszugsweise vervielfältigt werden. Dieser Bericht berechtigt nicht zur Verwendung eines Prüfzeichens. <i>This test report only relates to the a. m. test sample. Without permission of the test center this test report is not permitted to be duplicated in extracts. This test report does not entitle to carry any test mark.</i>				

v05

TEST SUMMARY

Report Section	FCC Clause	Test Item	Result
5.1.1	15.247(d) & 15.407(b) & 15.205 & 15.209	Radiated Spurious Emissions and Band Edges	Pass

Note: Determining compliance based on the results of the compliance measurement, not taking into account measurement instrumentation uncertainty.

Contents

HISTORY OF THIS TEST REPORT	4
1. GENERAL REMARKS	5
1.1 COMPLEMENTARY MATERIALS.....	5
1.2 DECISION RULE OF CONFORMITY	5
2. TEST SITES	6
2.1 TEST LABORATORY	6
2.2 TEST FACILITY.....	6
2.3 TRACEABILITY	7
2.4 CALIBRATION	7
2.5 MEASUREMENT UNCERTAINTY	7
3. GENERAL PRODUCT INFORMATION.....	8
3.1 PRODUCT FUNCTION AND INTENDED USE	8
3.2 SYSTEM DETAILS AND RATINGS.....	8
3.3 NOISE GENERATING AND NOISE SUPPRESSING PARTS	10
3.4 SUBMITTED DOCUMENTS.....	10
4. TEST SET-UP AND OPERATION MODES.....	11
4.1 PRINCIPLE OF CONFIGURATION SELECTION	11
4.2 TEST OPERATION AND TEST SOFTWARE.....	12
4.3 SPECIAL ACCESSORIES AND AUXILIARY EQUIPMENT	13
4.4 TEST SETUP DIAGRAM	14
5. TEST RESULTS	15
5.1 TRANSMITTER REQUIREMENT & TEST SUITES	15
5.1.1 Radiated Spurious Emissions	15

APPENDIX A - TEST RESULT OF RADIATED SPURIOUS EMISSIONS

APPENDIX SP - PHOTOGRAPHS OF TEST SETUP

HISTORY OF THIS TEST REPORT

Report No.	Description	Date Issued
CN21BZ5K(FCC-Colocated) 001	Original Release	2021-12-27

1. General Remarks

1.1 Complementary Materials

All attachments are integral parts of this test report. This applies especially to the following appendix:

Appendix A - Test Result of Radiated Spurious Emissions

Appendix SP - Photographs of Test Setup

Applied Standard and Test Levels

Radio
FCC CFR47 Part 15: Subpart C Section 15.247
FCC CFR47 Part 15: Subpart E Section 15.407
FCC CFR47 Part 2: Subpart J Section 2.1091
ANSI C63.10:2013
KDB 558074 D01 15.247 Meas Guidance v05r02
KDB 996369 D04 Module Integration Guide v01

1.2 Decision Rule of Conformity

The decision rule of conformity of this test report is following the requirements of the requested standard in the quotation, and agreed among testing laboratory and manufacturer (applicant) to exclude the consideration of Measurement Uncertainty, unless it is required by the specific standard.

2. Test Sites

2.1 Test Laboratory

Taipei Testing Laboratories

11F. No.758, Sec. 4, Bade Rd., Songshan Dist.
Taipei City 105
Taiwan (R.O.C.)

2.2 Test Facility

Taipei Testing Laboratories

No.458-18, Sec. 2, Fenliao Rd., Linkou Dist.,
New Taipei City 244
Taiwan (R.O.C.)
FCC Registration No.: 226631
ISED Registration No.: 25563

2.3 Traceability

All measurement equipment calibrations are traceable to NML(Taiwan)/NIST(USA) or where calibration is performed outside Taiwan, to equivalent nationally recognized standards organizations.

2.4 Calibration

Equipment requiring calibration is calibrated periodically in a suitably accredited Calibration Lab. Additionally all equipment is verified for proper performance on a regular basis using in house standards or comparisons.

2.5 Measurement Uncertainty

All measurement uncertainty values are shown with a coverage factor of $k=2$ to indicate a 95% level of confidence.

Emission Measurement Uncertainty

Parameter	Uncertainty
Radiated Emission (9 kHz ~ 30 MHz)	± 1.15 dB
Radiated Emission (30 MHz ~ 200 MHz)	± 1.30 dB
Radiated Emission (200 MHz ~ 1 GHz)	± 1.30 dB
Radiated Emission (1 GHz ~ 18 GHz)	± 1.54 dB
Radiated Emission (18 GHz ~ 40 GHz)	± 2.52 dB
Mains Conducted Emission	± 1.65 dB

3. General Product Information

3.1 Product Function and Intended Use

The EUT is a Wireless Access Point. It contains WLAN compatible module enabling the user to communicate data through a Wireless interface.

For details refer to the User Guide, Data Sheet and Circuit Diagram.

3.2 System Details and Ratings

Basic Information of EUT

Item	EUT information
Kind of Equipment/Test Item	Wireless Access Point
Type Identification	AP432
FCC ID	Q6G-AP432

Technical Specification of EUT

Item	EUT information
Operating Frequency	WLAN 2.4G: 2412 MHz ~ 2462 MHz WLAN 5G: Band 1: 5180 MHz ~ 5240 MHz Band 2: 5260 MHz ~ 5320 MHz Band 3: 5500 MHz ~ 5700 MHz Band 4: 5745 MHz ~ 5825 MHz
Operation Voltage	Adapter: Input: 100~240Vac; Output: 12 Vdc POE: Input: 100~240Vac; Output: 54 Vdc
Modulation	802.11b: DSSS-DBPSK, DQPSK, CCK 802.11g, 802.11a, 802.11n HT20, 802.11n HT40: OFDM-BPSK, QPSK, 16QAM, 64QAM 802.11ac VHT20, 802.11ac VHT40, 802.11ac VHT80: OFDM-BPSK, QPSK, 16QAM, 64QAM, 256QAM 802.11ax HE20, 802.11ax HE40, 802.11ax HE80 OFDMA-BPSK, QPSK, 16QAM, 64QAM, 256QAM, 1024QAM
Accessory Device	Refer to note as below

Note:

ANT	Antenna Type	Gain (dBi)			
		5180~5240 MHz	5260~5320 MHz	5500~5700 MHz	5745~5825 MHz
1	PIFA	5.13	5.13	5.19	5.19
2	PIFA	4.26	4.26	4.26	3.81
3	PIFA	4.03	4.03	4.56	4.56
4	PIFA	5.04	5.04	5.04	5.04
Max Directional Gain (dBi)		5.13	5.13	5.19	5.19
CDD Mode	Power Directional Gain =	5.13	5.13	5.19	5.19
	PSD Directional Gain = $10\log[(10^{G1/20} + 10^{G2/20} + \dots + 10^{GN/20})^2 / N_{ANT}] =$	10.65	10.65	10.79	10.69
Beamforming Mode	Power Directional Gain =	10.65	10.65	10.79	10.69
	PSD Directional Gain = $10\log[(10^{G1/20} + 10^{G2/20} + \dots + 10^{GN/20})^2 / N_{ANT}] =$	10.65	10.65	10.79	10.69

3.3 Noise Generating and Noise Suppressing Parts

Refer to the Circuit Diagram.

3.4 Submitted Documents

- Circuit Diagram
- Instruction Manual
- Rating Label
- Technical Description

4. Test Set-up and Operation Modes

4.1 Principle of Configuration Selection

The test modes were adapted accordingly in reference to the instructions for use.

During testing, Channel and Power Controlling Software provided by the customer was used to control the operating channel as well as the output power level. The RF output power selection is for the setting of RF output expected by the customer and is going to be fixed on the firmware of the final end product.

4.2 Test Operation and Test Software

Setup for testing: The test sample itself is equipped with a touch screen. It was used to enable the operation modes listed as below.

The samples were used as follows:

A003162916-019, 005 for radiated test

Full test was applied on all test modes, but only worst case was shown.

EUT Configure Mode	Applicable To	Description
	Radiated Spurious Emissions	
-	√	-

Note:

1. The EUT had been pre-tested on the positioned of each 3 axis. The worst case was found when position on Y-plane.
2. "-" means no effect.

Radiated Spurious Emissions

- Pre-Scan full test was applied on all test modes, but only worst case was shown.
- Following channel(s) was (were) selected for the final test as listed below.

EUT Configure Mode
WiFi 5G 802.11ax HE_5190MHz + WiFi 2.4G 802.11b_2437 MHz

Test Condition

Test Item	Ambient Temperature	Relative Humidity	Tested by
Radiated Spurious Emissions	22.6-24.3 °C	50-60 %	Hunter Wang

4.3 Special Accessories and Auxiliary Equipment

The product has been tested together with the following additional accessories:

Accessory of EUT

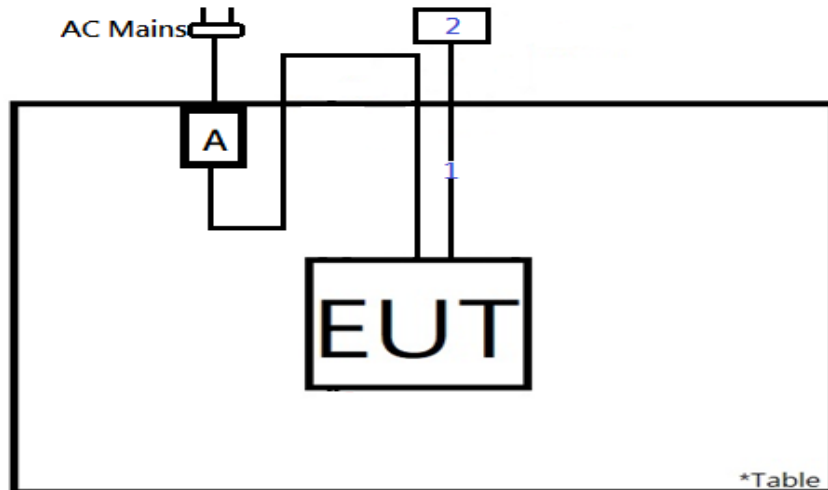
None

Support Unit

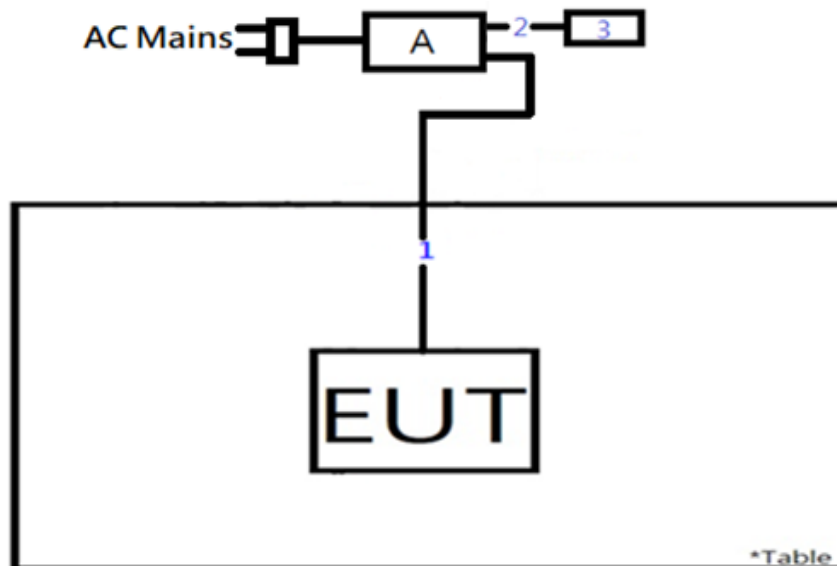
No.	Description	Brand	Model	S/N	Remark
Radiated Test for Adapter Mode					
A	Adapter	Asian Power Devices Inc.	WA-30J12R	-	148 cm non-shielded cable w/o core
1	LAN Cable	TUV-JP	TUV-JP-001	-	300 cm non-shielded cable w/o core
2	Notebook	HP	15s-du0007TX	CND93662VF	-
Radiated Test for Poe Mode					
A	POE Adapter	QNO	QPE1011G-30W	-	55 cm non-shielded cable w/o core
1	LAN Cable	TUV-JP	TUV-JP-001	-	1000 cm non-shielded cable w/o core
2	LAN Cable	TUV-JP	TUV-JP-001	-	300 cm non-shielded cable w/o core
3	Notebook	HP	15s-du0007TX	CND93662VF	300 cm non-shielded cable w/o core

4.4 Test Setup Diagram

<Radiated Spurious Emissions, Adapter Mode>



<Radiated Spurious Emissions, POE Mode>



5. Test Results

5.1 Transmitter Requirement & Test Suites

5.1.1 Radiated Spurious Emissions

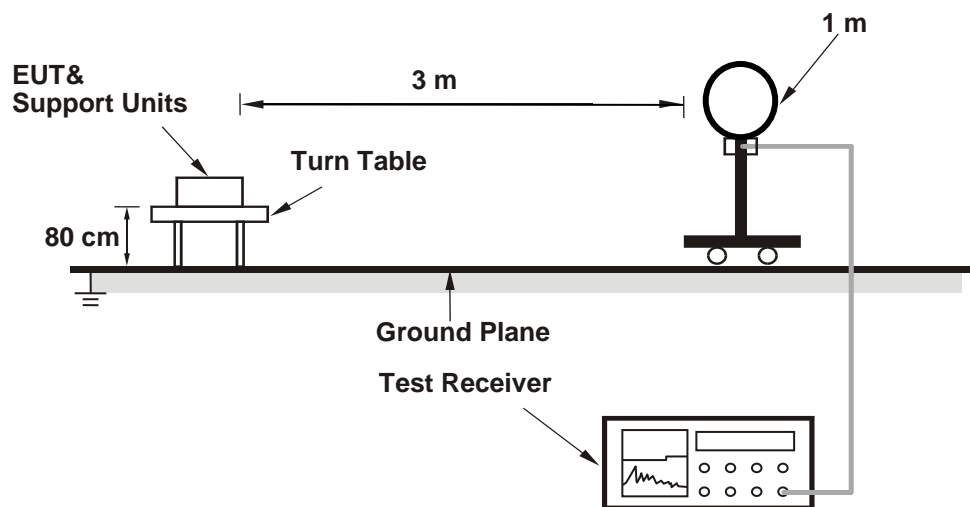
Limit

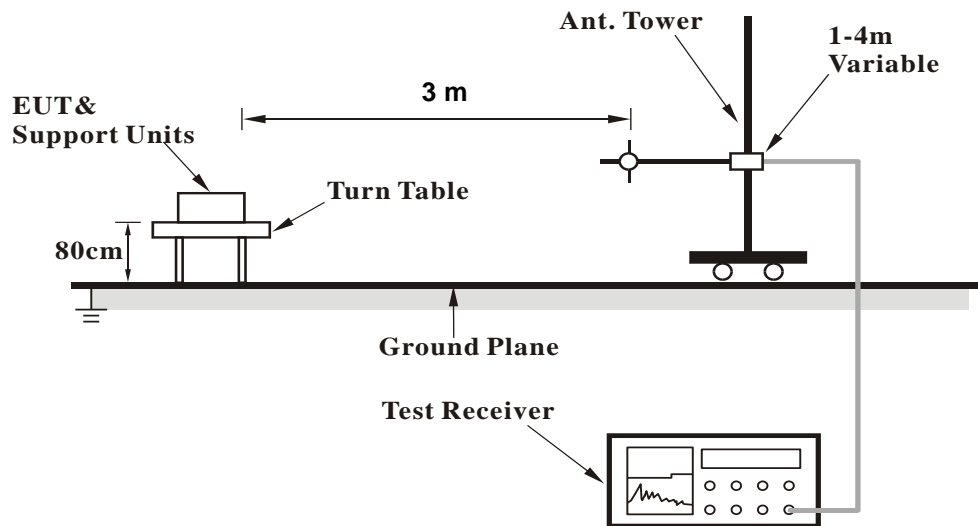
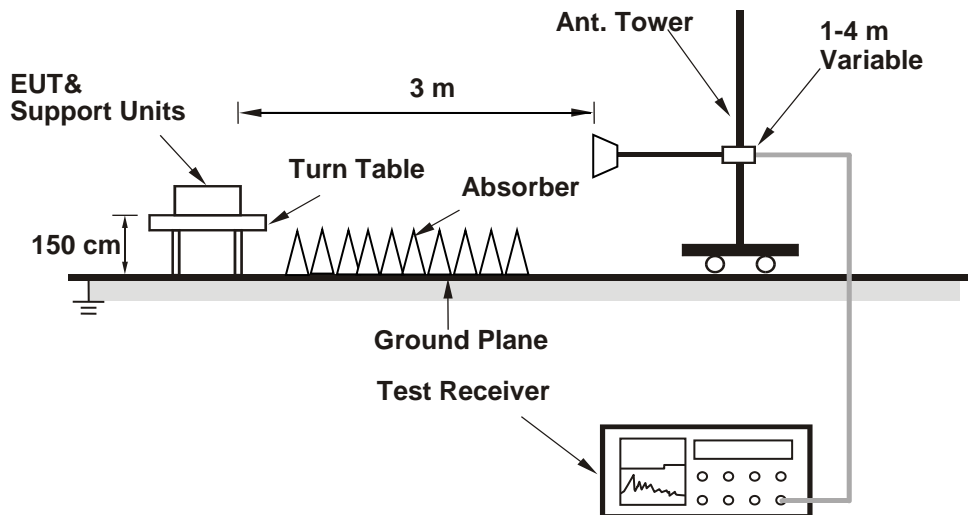
The power of any emission outside of the authorized operating frequency ranges must be attenuated below the transmitting power (P) by a factor of at least $43 + 10 \log(P)$ dB.

Kind of Test Site 3m Semi-Anechoic Chamber

Test Setup

<Radiated Emissions below 30 MHz>



<Radiated Emissions 30 MHz to 1 GHz>

<Radiated Emissions above 1 GHz>


For the actual test configuration, please refer to the attached file (Test Setup Photo).

Test Instruments

Kind of Equipment	Manufacturer	Type	S/N	Calibration Date	Calibration Due Date
Receiver	R&S	ESR7	102109	2021/03/16	2022/03/15
Signal Analyzer	R&S	FSV40	101508	2021/03/16	2022/03/15
Bilog Antenna	SCHWARZBECK	VULB-9168	00951	2021/02/18	2022/02/17
Horn Antenna	ETS-Lindgren	3117	00218929	2021/11/25	2022/11/24
Horn Antenna	SCHWARZBECK	BBHA 9170	00887	2021/04/08	2022/04/07
LF-AMP	Agilent	8447D	2944A10772	2021/02/18	2022/02/17
HF-AMP + AC source	EMCI	EMC051845SE	980633	2021/02/09	2022/02/08
HF-AMP + AC source	EMCI	EMC184045SE	980657	2021/02/01	2022/01/31
Microwave Cable	HUBER+SUHNER	SUCOFLEX 104EA	800056/4EA	2021/03/17	2022/03/16
Microwave Cable	HUBER+SUHNER	SUCOFLEX 104	804680/4	2021/03/17	2022/03/16
Microwave Cable	HUBER+SUHNER	SUCOFLEX 104	MY37202/4	2021/03/17	2022/03/16
Microwave Cable	HUBER+SUHNER	SUCOFLEX 102EA	800898/2EA	2021/04/16	2022/04/15
Microwave Cable	HUBER+SUHNER	SUCOFLEX 102EA	800901/2EA	2021/04/16	2022/04/15
Microwave Cable	HUBER+SUHNER	SUCOFLEX 102EA	801027/2EA	2021/04/16	2022/04/15
Loop Antenna	SCHWARZBECK	FMZB1519B	00215	2021/12/08	2022/12/07

Test Procedures**For Radiated Emissions below 30 MHz**

- a. The EUT was placed on the top of a rotating table 0.8 meters above the ground at a 3 meter chamber room. The table was rotated 360 degrees to determine the position of the highest radiation.
- b. The EUT was set 3 meters away from the interference-receiving antenna, which was mounted on the top of a variable-height antenna tower.
- c. Parallel, perpendicular, and ground-parallel orientations of the antenna are set to make the measurement.
- d. For each suspected emission, the EUT was arranged to its worst case and the rotatable table was turned from 0 degrees to 360 degrees to find the maximum reading.
- e. The test-receiver system was set to Quasi-Peak Detect Function and Specified Bandwidth with Maximum Hold Mode.

Note: The resolution bandwidth and video bandwidth of test receiver/spectrum analyzer is 9 kHz at frequency below 30 MHz.

For Radiated Emissions above 30 MHz

- a. The EUT was placed on the top of a rotating table 0.8 meters (for 30 MHz ~ 1 GHz) / 1.5 meters (for above 1 GHz) above the ground at 3 meter chamber room for test. The table was rotated 360 degrees to determine the position of the highest radiation.
- b. The EUT was set 3 meters away from the interference-receiving antenna, which was mounted on the top of a variable-height antenna tower.
- c. The height of antenna is varied from one meter to four meters above the ground to determine the maximum value of the field strength. Both horizontal and vertical polarizations of the antenna are set to make the measurement.
- d. For each suspected emission, the EUT was arranged to its worst case and then the antenna was tuned to heights from 1 meter to 4 meters and the rotatable table was turned from 0 degrees to 360 degrees to find the maximum reading.
- e. The test-receiver system was set to quasi-peak detect function and specified bandwidth with maximum hold mode when the test frequency is below 1 GHz.
- f. The test-receiver system was set to peak and average detected function and specified bandwidth with maximum hold mode when the test frequency is above 1 GHz. If the peak reading value also meets average limit, measurement with the average detector is unnecessary.

Note:

1. The resolution bandwidth and video bandwidth of test receiver/spectrum analyzer is 120 kHz for Quasi-peak detection (QP) or Peak detection (PK) at frequency below 1 GHz.
2. The resolution bandwidth of test receiver/spectrum analyzer is 1 MHz and the video bandwidth is 3 MHz for Peak detection (PK) at frequency above 1 GHz.
3. The resolution bandwidth of test receiver/spectrum analyzer is 1 MHz and the video bandwidth is $\geq 1/T$ (Duty cycle < 98 %) or 10 Hz (Duty cycle ≥ 98 %) for Average detection (AV) at frequency above 1 GHz.
4. All modes of operation were investigated and the worst-case emissions are reported.
5. The Radiated Emissions testing was performed in the X(E1), Y(H) and Z(E2) axis orientation. The worst-case Axis orientation is recorded in this test report.

Test Results

Factor (dB/m) = Antenna Factor (dB/m) + Cable Loss (dB)
Level (dBuV/m) = Reading (dBuV) + Factor (dB/m)

Please refer to Appendix A.