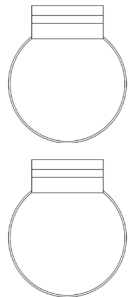




WatchGuard® AP

Quick Start Guide

AP430CR



Pole Mount Clamps



Wall Mount Screws



Wall and Pole Mount Screws



Ground Screw

1 ACTIVATE YOUR AP

GO TO:

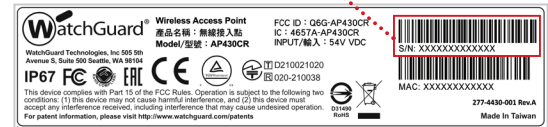
watchguard.com/activate

Activate Products

Enter Serial Number or License Key

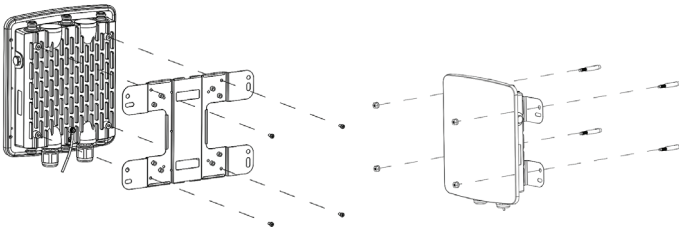
- To activate a new device, type the serial number exactly as it appears (include any hyphens). You can find the serial number on a label on your device or on the fulfillment email for your virtual device.
- To activate an add-on license, service, or renewal, type the license key from your fulfillment email or online store receipt.

CONTINUE >

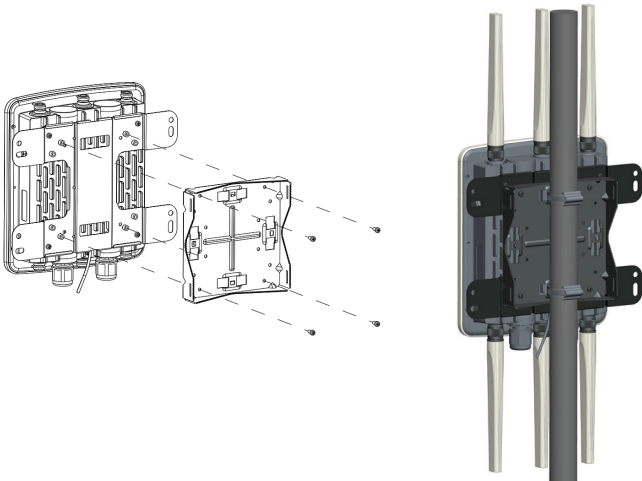


2 MOUNT THE AP

WALL MOUNT



POLE MOUNT



3 CONNECT THE AP

Plug one end of the Ethernet cable from your network into the LAN 1 (PoE+) port on the bottom of the AP.

Make sure the other end of the Ethernet cable is connected to your network through a hub, switch, or injector with PoE+ (802.3at) power enabled.



Access Point connected to PoE+ injector



Access Point connected to switch with PoE+ power

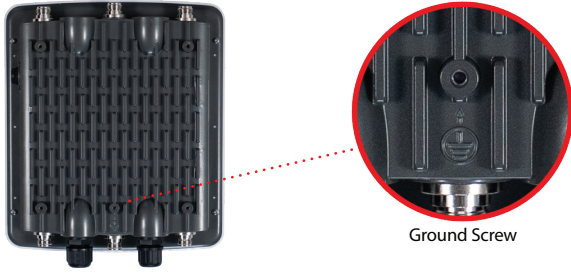
TOP



BOTTOM



REAR



Ground Screw

POWER REQUIREMENTS

- PoE+ (802.3at) (48V DC, 0.6A)

| Power Options | |
|--|---|
| WG8602 (AU), WG8601 (UK), WG8600 (EU), WG8599 (US) | WatchGuard 802.3at PoE+ Injector with AC cord |
| Antenna Options | |
| WG9004 | Dual-Band Omni Antennas (5/7 dBi) |

NOTICES:

All WatchGuard products are designed and tested to meet strict safety requirements. These requirements include product safety approvals and other global compliance standards. Please read these instructions carefully before operating the product, and refer to them as needed to ensure the continued safe operation of your product.

Additional information, including a full list of safety approvals, global compliance standards, and certifications can be found in the Hardware Guide for this device located on the WatchGuard website: <https://www.watchguard.com/wgpd-help/documentation/hardware-guides>

For patent information, please visit <http://www.watchguard.com/patents>

Safety Warning

If protective earthing is used as a safeguard, the instructions shall require connection of the equipment protective earthing conductor to the installation protective earthing conductor (for example, by means of a power cord connected to a socket-outlet with earthing connection). To meet safety and electromagnetic interference (EMI) requirements, you must make sure the power source is connected to earth ground before you connect power to the AP.

Power Adapter Requirements

This product is intended to be supplied by a Listed Power Adapter or DC power source marked "L.P.S." (or Limited Power Source or PS2) rated 12V DC, 2A minimum, maximum ambient temperature (Tma)=40°C, or supplied by a Listed PoE Adapter marked "L.P.S." (or Limited Power Source or PS2) rated 48V DC, 0.6A minimum, maximum ambient temperature (Tma)=40°C. For more information regarding approved power sources, please contact WatchGuard Technologies.

! To protect your outdoor AP from electrical events, we recommend you ground the AP with the included ground wire based on your local regulations.
Um Ihren AP im Außenbereich vor elektrischen Problemen zu schützen, empfehlen wir, den AP gemäß den lokalen Vorschriften mit dem bereitgestellten Erdungskabel zu erden.
Para proteger su PA exterior de eventos eléctricos, recomendamos que lo conecte a tierra con el cable de conexión a tierra incluido, según sus regulaciones locales.
A fim de proteger seu AP para ambientes externos contra eventos elétricos, recomendamos aterr-lo com o fio de aterramento incluído conforme a regulamentação local.
Per proteggere l'AP da fenomeni elettrici, si raccomanda di collegarlo a terra con l'apposito cavo incluso nella confezione ai sensi delle normative locali.
Pour protéger votre point d'accès extérieur des événements électriques, nous vous recommandons de le raccorder à la terre à l'aide du câble de terre fourni, conformément aux réglementations locales.

為了保護室外 AP 不受電氣事件影響，建議您根據當地法規使用內含的接地線對 AP 進行接地。
야외 AP를 전기 사고 발생 위험으로부터 보호하려면 지역별 규정에 따라 AP를 등본된 접지 와이어로 접지하는 것이 좋습니다.
屋外用 AP を落雷や感電などの事故から守るために、地元の規制に従って、付属の接地線を使用して AP の接地を行うことをお勧めします。
为了保护您的户外 AP 免受电气活动的影响，我们建议您根据当地的法规，使用随附的地线将 AP 接地。

4 CHECK AP LED STATUS



| LED Color | Status |
|-----------------|---|
| Solid Orange | AP is booting (Permanent orange indicates a hardware failure) |
| Flashing Orange | AP cannot connect to WatchGuard Cloud |
| Solid Blue | AP is online |
| Flashing Blue | Flash LED option selected in WatchGuard Cloud |

5 CONFIGURE THE AP

GO TO:
www.watchguard.com/start



Manage APs with WatchGuard Cloud

Declaration of Conformity

WatchGuard Technologies Inc. hereby declares that the product(s) listed below conform to the European Union directives and standards identified in this declaration.

Product ID: 802.11 a/b/g/n/ac Access Point, AP430CR
EU Directives: Low Voltage (2014/35/EU), Electromagnetic Compatibility (2014/30/EU), Energy-related Products (2009/125/EC), RoHS (2011/65/EU) and 2015/863/EU (RoHS4), WEEE Directive 2012/19/EU, The Radio Equipment Directive (2014/53/EU)
Common Standards: EN 62383-1:2014+A11:2017, EN 55024:2010, EN 55024-2:2010+A1:2020, EN 55025:2017/A1:2020, EN 61000-3-2:2014, EN 61000-3-3:2013, EN 62311:2008, EN 301 488-1 v2.3.3 (2019-11), EN 301 488-17 v3.1.1 (2017-02), EN 300 328 v2.2.2 (2019-07), EN 301 893 v2.1.1 (2017-05), EN 50368:2017
Notes: This device complies with the essential requirements and other relevant provisions to Directive 2014/53/EU when used for its intended purpose. This equipment may be operated in the USA, Canada, & Europe Union.
Warning! This is a Class B product. In a domestic environment this product may cause radio interference in which case the user may be required to take adequate measures.

| Frequency range (MHz) | Max. Transmitted Power (W) |
|-----------------------------|----------------------------|
| Bluetooth | 0.00794 |
| WLAN Wi-Fi 802.11a: 2.4 GHz | 0.09418 |
| WLAN Wi-Fi 802.11a: 5 GHz | 0.56896 |

Restrictions: France (I) les dispositifs fonctionnant dans la bande 5150-5250 MHz sont réservés uniquement pour une utilisation à l'intérieur et ne doivent pas être utilisés que les utilisateurs de radars de haute puissance sont conçus pour éviter les dommages aux dispositifs LAN-EL. (II) les dispositifs fonctionnant dans la bande 5150-5250 MHz et 5 650-5 850 MHz et que ces radars pourraient causer des dommages aux dispositifs LAN-EL. Die oben genannten Geräte entsprechen den grundlegenden Anforderungen und anderen relevanten Bestimmungen der Richtlinie 2014/53/EU, wenn für den vorgesehenen Zweck verwendet werden. Dieses Gerät ist für die Verwendung in den USA, Kanada, and Europäischen Union.
Warning! Dies ist eine Einrichtung der Klasse B. Diese Einrichtung kann im Wohnbereich Funkstörungen verursachen. In diesem Fall kann vom Betreiber verlangt werden, angemessene Maßnahmen durchzuführen.
Einschränkungen: Frankreich - (I) Geräte, die im Band 5150-5250 MHz ist nur für den Innenbereich, um das Risiko von Störungen in mobilen Satelliten-Systeme, die die gleichen Kanäle (II) Darüber hinaus reduzieren vorstellbar, sollen Benutzer auch darauf hingewiesen werden, dass die Nutzer von Hochleistungs-Radare bezeichnet werden primäre Benutzer (z.B. sie haben Priorität) der Banden 5 250-5 300 MHz und 5 650-5 850 MHz und dass diese Radaregeräten können Störungen und / oder Schäden an LAN-Geräten verursachen.

Signature: *Laurence Huang*
Full Name: Laurence Huang
Position: Manufacturing Program Manager
Date: March 11, 2021



WATCHGUARD TECHNICAL SUPPORT

1.877.232.3531 (U.S. and Canada) +1.206.613.0456 (all other countries)

www.watchguard.com/support



ADDRESS: 505 Fifth Avenue South, Suite 500, Seattle, WA 98104
U.S. SALES: 1.800.734.9905 • INTERNATIONAL SALES: +1.206.613.0895

WEB: www.watchguard.com